

## **EventLITE 4/8 Mini Q6 IP65**

Product code: 44083 / 44084

Black / White

## Preface

---

Thank you for purchasing this Showtec product.

The purpose of this user manual is to provide instructions for the correct and safe use of this product.

Keep the user manual for future reference as it is an integral part of the product. The user manual shall be stored at an easily accessible location.

This user manual contains information concerning:

- Safety instructions
- Intended and non-intended use of the device
- Installation and operation of the device
- Maintenance procedures
- Troubleshooting
- Transport, storage and disposal of the device

Non-observance of the instructions in this user manual may result in serious injuries and damage of property.

©2024 Showtec. All rights reserved.

No part of this document may be copied, published or otherwise reproduced without the prior written consent of Highlite International.

Design and product specifications are subject to change without prior notice.

For the latest version of this document or other language versions, please visit our website [www.highlite.com](http://www.highlite.com) or contact us at [service@highlite.com](mailto:service@highlite.com).

Highlite International and its authorized service providers are not liable for any injury, damage, direct or indirect loss, consequential or economic loss or any other loss arising from the use of, or inability to use or reliance on the information contained in this document.

Highlite International B.V. – Vestastraat 2 – 6468 EX Kerkrade – the Netherlands

## Table of contents

<b>1. Introduction</b> .....	<b>4</b>
1.1. Before Using the Product.....	4
1.2. Intended Use.....	4
1.3. LEDs Lifespan.....	4
1.4. Text Conventions.....	4
1.5. Symbols and Signal Words.....	5
1.6. Symbols on the Information Label.....	5
<b>2. Safety</b> .....	<b>6</b>
2.1. Warnings and Safety Instructions.....	6
2.2. Requirements for the User.....	8
2.3. Personal Protective Equipment.....	8
<b>3. Description of the Device</b> .....	<b>9</b>
3.1. Front view.....	9
3.2. Back View.....	9
3.3. Product Specifications.....	10
3.4. Dimensions.....	11
3.5. Optional Accessories.....	11
<b>4. Installation</b> .....	<b>12</b>
4.1. Safety Instructions for Installation.....	12
4.2. Personal Protective Equipment.....	12
4.3. Installation Site Requirements.....	12
4.4. Mounting Options.....	12
4.4.1. Upright Installation.....	12
4.4.2. Installation with a Clamp.....	13
4.5. Charging the Battery.....	14
<b>5. Setup and Operation</b> .....	<b>15</b>
5.1. Control Panel.....	15
5.2. Turning On/Off.....	15
5.3. Start-up.....	16
5.4. Control Modes.....	16
5.5. Manual Control.....	17
5.5.1. Menu Overview.....	17
5.5.2. Main Menu Options.....	17
5.5.2.1. Auto Mode.....	18
5.5.2.2. Built-in Programs.....	18
5.5.2.2.1. Program 01.....	18
5.5.2.2.2. Program 02–16.....	18
5.5.2.3. Dimming Mode.....	19
5.5.2.4. Sound Mode.....	19
5.5.2.5. Settings.....	19
5.5.2.6. Information.....	19
5.5.2.6.1. Temperature.....	20
5.6. Remote Control.....	20
5.6.1. Remote Control Mode.....	20
5.6.2. Functions of the Remote Control Buttons.....	21
5.6.3. Remote Control Operation.....	22
5.6.3.1. Auto Mode.....	22
5.6.3.2. Built-in Programs.....	22
5.6.3.3. Static Colors.....	22
5.6.3.4. Sound-controlled Mode.....	22
5.6.3.5. Dimming Mode.....	22
5.6.3.6. Strobe.....	23
5.6.3.7. Factory Reset.....	23
<b>6. Troubleshooting</b> .....	<b>24</b>
<b>7. Maintenance</b> .....	<b>24</b>
7.1. Preventive Maintenance.....	24

7.1.1. Basic Cleaning Instructions.....	24
7.2. Corrective Maintenance.....	25
<b>8. Deinstallation, Transportation and Storage.....</b>	<b>25</b>
8.1. Instructions for Deinstallation.....	25
8.2. Instructions for Transportation.....	25
8.3. Storage.....	26
<b>9. Disposal.....</b>	<b>26</b>
<b>10. Approval.....</b>	<b>26</b>

## 1. Introduction

### 1.1. Before Using the Product



#### Important

Read and follow the instructions in this user manual before installing, operating or servicing this product.

The manufacturer will not accept liability for any resulting damages caused by the non-observance of this manual.

After unpacking, check the contents of the box. If any parts are missing or damaged, contact your Highlite International dealer.

Your shipment includes:

- Showtec EventLITE 4/8 Mini Q6 IP65
- AC Power adapter (1,1 m)
- IR Remote control
- User manual

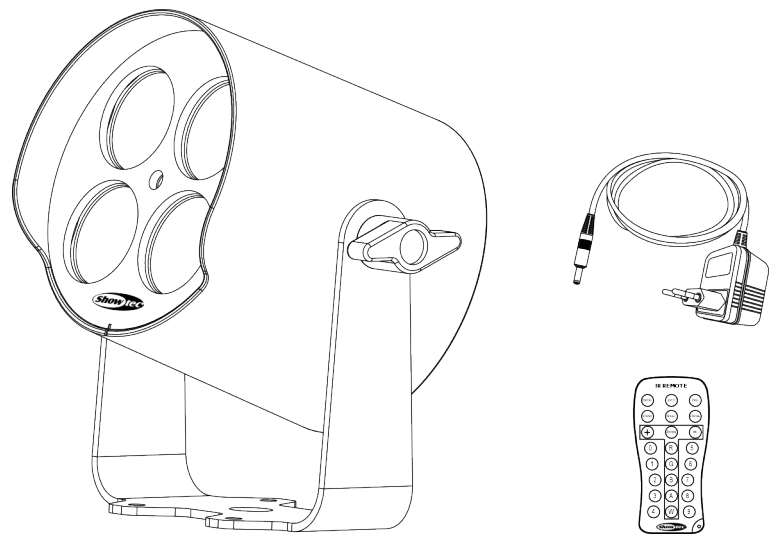


Figure 1

### 1.2. Intended Use

This device is intended for professional use as a professional battery-powered spot. It can be installed indoors and outdoors. This device is not suitable for households and for general lighting.

Any other use, not mentioned under intended use, is regarded as non-intended and incorrect use.

### 1.3. LEDs Lifespan

The light output of the LEDs gradually decreases over time (lumen depreciation). High operating temperatures contribute to this process. You can extend the lifespan of the LEDs by providing adequate ventilation and operating the LEDs at the lowest possible brightness.

### 1.4. Text Conventions

Throughout the user manual the following text conventions are used:

- Buttons: All buttons are in bold lettering, for example "Press the **UP/DOWN** buttons"
- References: References to parts of the device are in bold lettering, for example: "turn the **adjustment handle (05)**". References to chapters are hyperlinked
- 0–255: Defines a range of values
- Notes: **Note:** (in bold lettering) is followed by useful information or tips

## 1.5. Symbols and Signal Words

Safety notes and warnings are indicated throughout the user manual by safety signs.

Always follow the instructions provided in this user manual.



### **DANGER**

Indicates an imminently hazardous situation which, if not avoided, will result in death or serious injury.



### **WARNING**

Indicates a potentially hazardous situation which, if not avoided, could result in death or serious injury.



### **CAUTION**

Indicates a potentially hazardous situation, which, if not avoided, may result in minor or moderate injury.



### **Attention**

Indicates important information for the correct operation and use of the product.



### **Important**

Read and observe the instructions in this document.



Provides important information about the disposal of this product.

## 1.6. Symbols on the Information Label

This product is provided with an information label. The information label is located on the mounting bracket of the device.

The information label contains the following symbols:



This device shall not be treated as household waste.



Read and follow the instructions in the user manual before installing, operating or servicing the device.

## 2. Safety



**Important**  
Read and follow the instructions in this user manual before installing, operating or servicing this product.

The manufacturer will not accept liability for any resulting damages caused by the non-observance of this manual.

### 2.1. Warnings and Safety Instructions



**DANGER**  
Danger for children

For adult use only. The device must be installed beyond the reach of children.

- Do not leave any parts of the packaging (plastic bags, polystyrene foam, nails, etc.) within the reach of children. Packaging material is a potential source of danger for children.



**DANGER**  
Risk of explosion caused by incorrect handling

This device contains a built-in rechargeable lithium-ion battery. The battery is not replaceable. The battery may explode or cause burns if it is crushed, disassembled or exposed to fire or high temperatures.

- Do not open the device and do not attempt to remove the built-in battery.
- Do not disassemble the battery.
- Do not crush or puncture the battery.
- Do not short-circuit the battery.
- Do not expose the battery to water or other liquids.
- Keep the battery away from fire and heat.



**WARNING**  
Risk of epileptic shock

Strobe lighting can trigger seizures in photosensitive epilepsy. Sensitive persons should avoid looking at strobe lights.



**Attention**  
Power supply

Before connecting the AC power adapter to the power supply, make sure that the current, voltage and frequency match the input voltage, current and frequency specified on the information label on the AC power adapter.



**Attention**  
**Incorrect handling of the AC power adapter may result in hazardous situations.**

This device is delivered with an AC power adapter. Incorrect handling of the AC power adapter may result in hazardous situations.

- Use only the AC power adapter delivered with the device.
- Do not wrap the power cable around the power adapter or any other object. This can damage the internal wires.
- Do not cover the power adapter with anything when it is plugged into the socket-outlet. This may cause overheating.
- Do not expose the power adapter to water or other liquids.

Do not use the power adapter:

- If it shows signs of overheating, for example the plastic is damaged
- If the AC input pins show signs of corrosion or overheating
- If the power cable is damaged or shows signs of material fatigue.



**Attention**  
**General safety**

- Do not connect the device to a dimmer pack.
- Do not switch the device on and off in short intervals. This reduces the device's life.
- Do not shake the device. Avoid brute force when installing or operating the device.
- Change the lens or the LEDs if they are visibly damaged to such an extent that their effectiveness is impaired, for example by cracks or deep scratches. Contact your Highlite International dealer for more information, as servicing can be performed only by instructed or skilled persons.
- If the device is dropped or struck, disconnect the device from the electrical power supply immediately.
- If the device is exposed to extreme temperature variations (e.g. after transportation), do not switch it on immediately. Let the device reach room temperature before switching it on, otherwise it may be damaged by the formed condensation.
- If the device fails to work properly, discontinue use immediately.



**Attention**  
**For professional use only**  
**This device must be used only for the purposes it is designed for.**

This device is intended for professional use as a professional battery-powered spot. Any incorrect use may lead to hazardous situations and result in injuries and material damage.

- This device is not suitable for households and for general lighting.
- This device is not designed for permanent operation.
- This device does not contain user-serviceable parts. Unauthorized modifications to the device will render the warranty void. Such modifications may result in injuries and material damage.



**Attention**  
**Before each use, examine the device visually for any defects.**

Make sure that:

- All screws used for installing the device or parts of the device are tightly fastened and are not corroded.
- There are no deformations on housings, fixings and installation points.
- The power cables are not damaged and do not show any material fatigue.

**Attention****Do not expose the device to conditions that exceed the rated IP class conditions.**

This device is IP65 rated. IP (Ingress Protection) 65 class means that the device is dust-tight and protected against harmful effect of water jets.

Keep the connectors sealed with the rubber caps when the connectors are not in use.

## 2.2. Requirements for the User

This product may be used by ordinary persons. Installation and maintenance may be carried out by ordinary persons. Service shall be carried out only by instructed or skilled persons. Contact your Highlite International dealer for more information.

Instructed persons have been instructed and trained by a skilled person, or are supervised by a skilled person, for specific tasks and work activities associated with the installation, service and maintenance of this product, so that they can identify risks and take precautions to avoid them.

Skilled persons have training or experience, which enables them to recognize risks and avoid hazards associated with the installation, service and maintenance of this product.

Ordinary persons are all persons other than instructed persons and skilled persons. Ordinary persons include not only users of the product but also any other persons that may have access to the device or who may be in the vicinity of the device.

## 2.3. Personal Protective Equipment

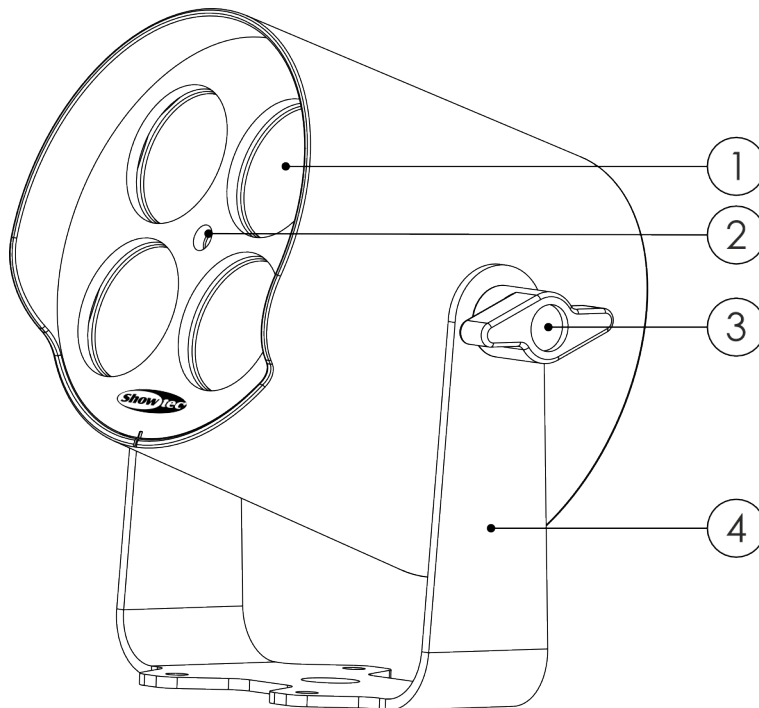
During installation, deinstallation and rigging wear personal protective equipment in compliance with the national and site-specific regulations.

### 3. Description of the Device

The Showtec EventLITE 4/8 Mini Q6 IP65 is a battery-powered RGBWAUV spot in an IP65-rated aluminum housing for mobile use and outdoor applications. The EventLITE 4/8 Mini Q6 IP65 is compact, easy to transport, and lightweight. It includes several presets and sound-activated programs, and can be controlled through the display and buttons on the back or by the included IR remote controller.

#### 3.1. Front view

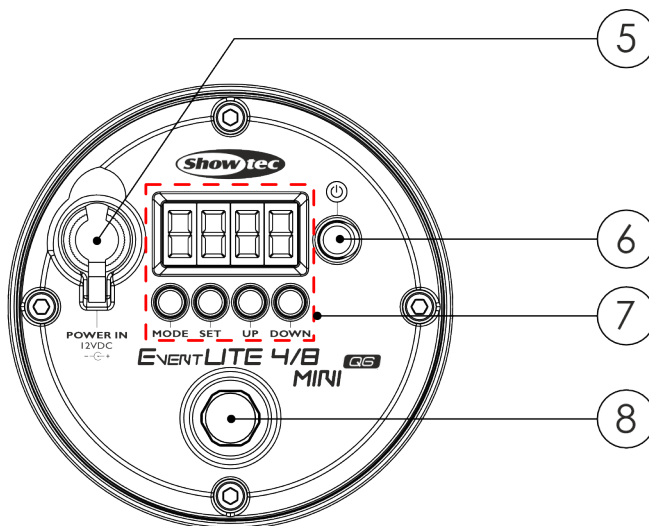
Figure 2



- 01) 4 x 7 W RGBWAUV LEDs
- 02) IR sensor
- 03) 2 x Adjustment screws
- 04) Mounting bracket

#### 3.2. Back View

Figure 3



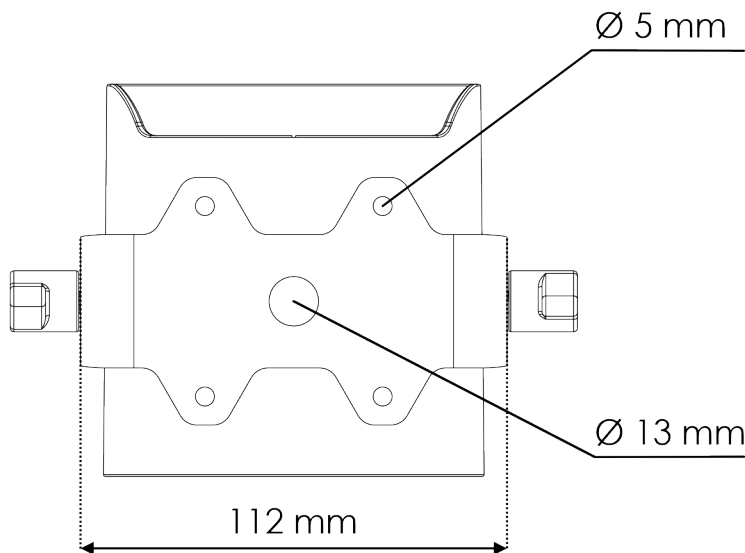
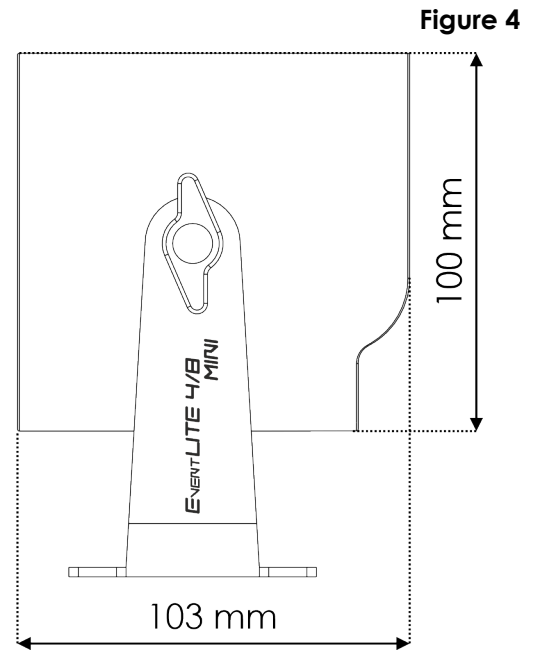
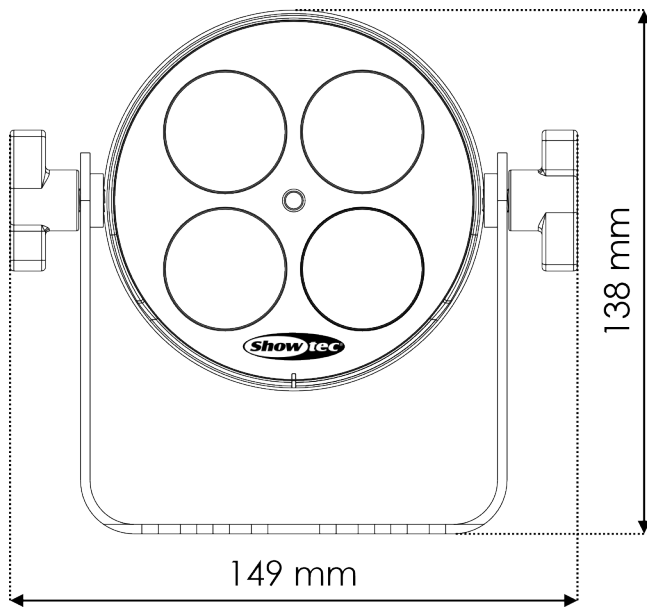
- 05) DC input connector, 12 V DC, with a rubber cap
- 06) Power switch (ON/OFF)
- 07) Control panel: 7-segment display and control buttons
- 08) Protective valve

### 3.3. Product Specifications

Model:	EventLITE 4/8 Mini Q6 IP65
<b>Source:</b>	
Light source type	LED
Light source quantity	4
Light source power	7 W
LED color type	RGBWAUV
Luminous flux (total)	290 lm
<b>Optical:</b>	
Beam angle (circular)	20°
<b>Battery:</b>	
Battery type	Lithium-ion
Battery voltage	11,1 V
Capacity	2,6 Ah
Runtime @ full	4 h
Charging time	5 h
<b>Control and Programming:</b>	
Control mode	Built-in program / IR / Manual
Display	7-segment
<b>Dynamic Effects:</b>	
Dimmer	0–100 %
Strobe	0–20 Hz
<b>Electrical Specifications and Connections:</b>	
Power supply	12 V DC
Power consumption	20 W
Power connector IN	DC input connector
<b>AC Power Adapter:</b>	
Input voltage	100–240 V AC, 50/60 Hz
Input current	0,6 A
Output voltage	12,6 V DC
Output current	1,4 A
<b>Mechanical Specifications:</b>	
Width	149 mm
Height	138 mm
Depth	103 mm
Weight	1 kg
IP rating	IP65
Housing	Aluminum die-cast
Color	Black (44083) / White (44084)
<b>Product Properties:</b>	
Cooling	Convection

**Thermal Specifications:**

Maximum ambient temperature	40 °C
Minimum ambient temperature	-5 °C

**3.4. Dimensions**

**3.5. Optional Accessories**

There is a hard plastic case available for this product. It has pre-formed foam interior and can accommodate up to 6 devices EventLITE 4/8 Mini Q6 IP65. Contact your Highlite International dealer for more information.

Product code: [44081](#) Case for 6 pcs EventLITE 4/8

## 4. Installation

### 4.1. Safety Instructions for Installation

**WARNING**

Incorrect installation can cause serious injuries and damage of property.

If trussing systems are used, installation must be carried out only by instructed or skilled persons.

Follow all applicable European, national and local safety regulations concerning rigging and trussing.

### 4.2. Personal Protective Equipment

During installation, deinstallation and rigging wear personal protective equipment in compliance with the national and site-specific regulations.

### 4.3. Installation Site Requirements

- The device can be used indoors and outdoors.
- The device must be installed away from heating sources and direct sunlight.
- The ambient temperature must be in the range -5 and 40 °C.

### 4.4. Mounting Options

The device can be positioned on a flat surface or mounted to a truss or other rigging structure in any orientation. Make sure that all loads are within the pre-determined limits of the supporting structure.

**CAUTION**

Restrict the access under the work area during installation.

#### 4.4.1. Upright Installation

- 01) Place the device on a flat surface.
- 02) Adjust the angle of the device with the 2 **adjustment screws (03)**. Make sure that the device cannot move freely after the **adjustment screws (03)** are tightened.

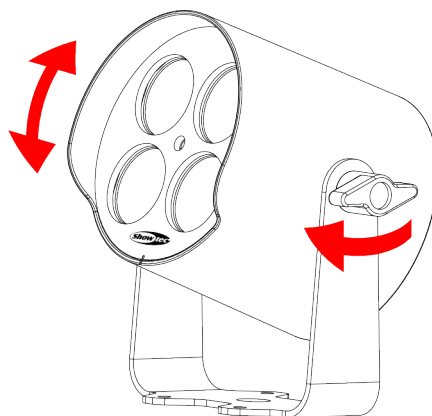
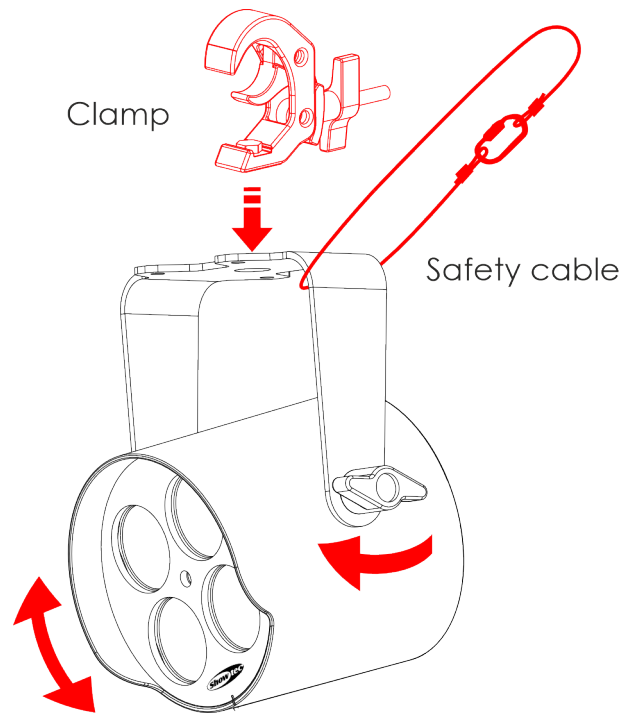


Figure 5

#### 4.4.2. Installation with a Clamp

- 01) Use a clamp to attach the device to the supporting structure.
- 02) Secure the device with a secondary suspension, for example a safety cable. Make sure that the secondary suspension can hold 10 times the weight of the device. Put the safety cable around the **mounting bracket (04)**.
- 03) Adjust the angle of the device with the 2 **adjustment screws (03)**. Make sure that the device cannot move freely after the **adjustment screws (03)** are tightened.

Figure 6



## 4.5. Charging the Battery



**DANGER**  
**Risk of explosion caused by incorrect handling**

This device contains a built-in rechargeable lithium-ion battery. The battery is not replaceable. The battery may explode or cause burns if it is crushed, disassembled or exposed to fire or high temperatures.

- Do not open the device and do not attempt to remove the built-in battery.

This device is delivered with an AC power adapter that is used to charge the battery.

Before connecting the AC power adapter to the socket-outlet, make sure that the power supply matches the input voltage specified on the information label on the AC power adapter.

To charge the battery follow the steps below:

- 01) Connect the AC power adapter to the device. Use only the AC power adapter delivered with the device.
- 02) Connect the AC power adapter to the socket-outlet.

During charging the display shows the state of charge of the battery and a C is blinking on the display. When charging is completed, the display shows that the battery is charged at 100 %:



- Charge the battery before using the device for the first time.
- Do not deep discharge the battery as this will shorten the lifespan of the battery. Recharge the battery as soon as possible. Do not let the light run until the battery is depleted.
- Make sure that the battery is charged to at least 50 % before storing the device.

It is recommended to charge the device at an ambient temperature between 0 and 35 °C.

If the device is charged in a carrying case, leave the case open.

Refer to the product specifications (see [3.3. Product Specifications](#) on page 10) for the charge time of the battery.

## 5. Setup and Operation



### Attention

This device is IP65 rated.

- Do not expose the device to conditions that exceed the rated IP class conditions.
- Keep the connectors sealed with the rubber caps when the connectors are not in use.



### Attention

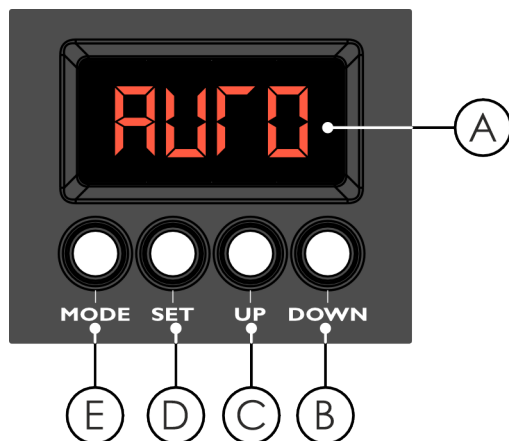
**This device must be used only for the purposes it is designed for.**

This device is intended for professional use as a professional battery-powered spot. It can be installed indoors and outdoors. This device is not suitable for households and for general lighting.

Any other use, not mentioned under intended use, is regarded as non-intended and incorrect use.

### 5.1. Control Panel

Figure 7



- A) 7-segment display
- B) DOWN button
- C) UP button
- D) SET button
- E) MODE button

- Use the **MODE** button to exit the current submenu, to return to the Main Menu and to scroll through the Main Menu
- Use the **UP/DOWN** buttons to navigate through the menus or to increase/decrease numeric values.
- Use the **SET** button to open the desired menu, to confirm your choice or to set the currently selected value.

### 5.2. Turning On/Off

The device has a power switch.

- Press the **power switch (06)** in ON position to turn on the device.
- When the device is in operation, press the **power switch (06)** in OFF position to turn off the device.

Make sure that the device is turned off from the **power switch (06)** when the device is not in use. This will prevent the battery from depletion.

#### Note:

When you turn off the device, the next time you turn it on, it will continue to operate in the previously selected operation mode.

### 5.3. Start-up

Upon start-up the display shows the firmware version for 2 s. Afterwards the display shows the last selected operation mode.

If no button is pressed, after 15 s of inactivity the display shows the battery state of charge. After another 10 s of inactivity, the display turns off.

- Press any button to turn the display on. The display shows the battery state of charge.
- When the display shows the battery state of charge, press any button to return to the main menu. The display shows the current operation mode.

### 5.4. Control Modes

The EventLITE 4/8 Mini Q6 IP65 can be controlled manually (see [5.5. Manual Control](#) on page 17) and with an IR remote control (see [5.6. Remote Control](#) on page 20). The IR remote control is included in the delivery.

The device supports sound-controlled operation. You can activate sound-controlled operation in both manual and IR remote control modes.

## 5.5. Manual Control

### 5.5.1. Menu Overview

Level 1	Level 2	Level 3	Level 4
Auto (see <a href="#">5.5.2.1. Auto Mode</a> on page 18)			
Program (see <a href="#">5.5.2.2. Built-in Programs</a> on page 18)	Program 01	Color 00–16	Strobe 00–99
	Program 02–16	Speed 01–99, FL	Strobe 00–99
Color (see <a href="#">5.5.2.3. Dimming Mode</a> on page 19)	Red 000–100		
	Green 000–100		
	Blue 000–100		
	White 000–100		
	Amber 000–100		
	UV 000–100		
Sound (see <a href="#">5.5.2.4. Sound Mode</a> on page 19)	Sound 00–31		
Set (see <a href="#">5.5.2.5. Settings</a> on page 19)	Reset		
Information (see <a href="#">5.5.2.6. Information</a> on page 19)	Battery		
	Temperature		
	Version		

### 5.5.2. Main Menu Options

The main menu has the following options:

Auto mode

Built-in programs

Dimming mode

Sound mode

Settings

Information

01) Press the **MODE** button to navigate through the main menu.

02) Press the **SET** button to open the submenus.

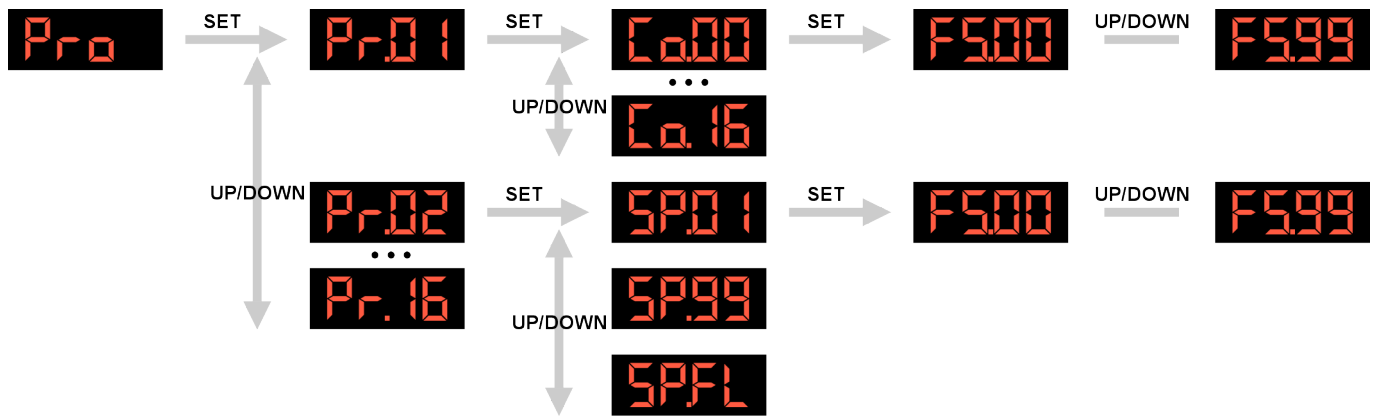
### 5.5.2.1. Auto Mode

In this menu you can activate auto-run mode.

Press the **SET** button to select auto mode. The device runs the built-in programs in a sequence.

### 5.5.2.2. Built-in Programs

In this menu you can select a preset color or a built-in program.



- 01) Press the **UP/DOWN** buttons to select one of the following options:
  - Program 01: Select one of the 17 preset colors (see [5.5.2.2.1. Program 01](#))
  - Programs 02–16: Select one of the 15 built-in chases (see [5.5.2.2.2. Program 02–16](#))
- 02) Press the **SET** button to confirm the selection.

#### 5.5.2.2.1. Program 01

In this submenu you can select one of the 17 preset colors and add strobe effect.

- 01) Press the **UP/DOWN** buttons to select one of the 17 preset colors.
- 02) Press the **SET** button to confirm the selection and to open the submenu where you can add strobe effect.
- 03) Press the **UP/DOWN** buttons to add strobe effect. The adjustment range is 00–99, from off to high frequency.

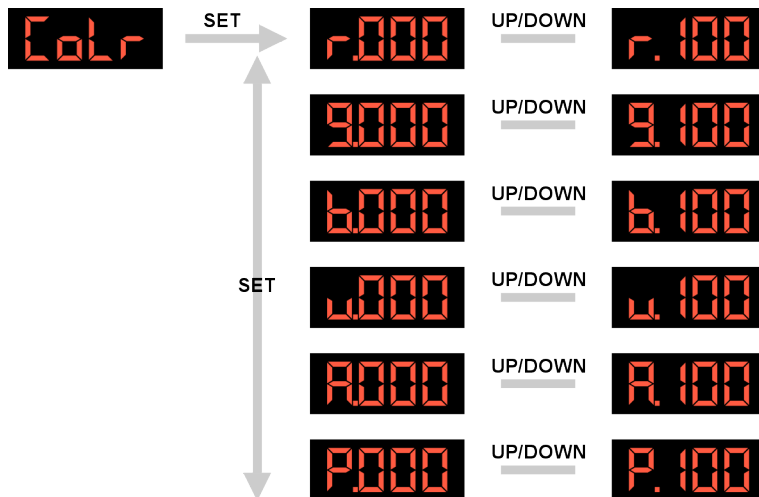
#### 5.5.2.2.2. Program 02–16

In this submenu you can select one of the 15 built-in chases, adjust the speed, and add strobe effect.

- 01) Press the **UP/DOWN** buttons to select one of the 15 built-in chases.
- 02) Press the **SET** button to confirm the selection and open the submenu where you can adjust the speed.
- 03) Press the **UP/DOWN** buttons to set the speed of the selected built-in chase. The adjustment range is 01–99 and FL, from slow to fast. FL stands for 'full speed'.
- 04) Press the **SET** button to confirm the selection and open the submenu where you can add strobe effect.
- 05) Press the **UP/DOWN** buttons to add strobe effect. The adjustment range is 00–99, from off to high frequency.

### 5.5.2.3. Dimming Mode

In this menu you can adjust the color intensity for each LED individually and create custom colors.



- 01) Press the **SET** button to select one of the 6 options: red, green, blue, white, amber, and UV.
- 02) Press the **UP/DOWN** buttons to adjust the value. The adjustment range is 000–100, from low to high intensity.
- 03) Press the **SET** button to set the value and move to the next color.

### 5.5.2.4. Sound Mode

In this menu you can activate sound-controlled operation mode and adjust the sensitivity of the built-in microphone.



Press the **UP/DOWN** buttons to set the sensitivity of the built-in microphone. The adjustment range is 00–31, from off to high sensitivity. If you select a value in the range 01–31, the device runs the selected built-in chase (see [5.5.2.2.2. Program 02–16](#) on page 18) reacting to the beat of the music.

### 5.5.2.5. Settings

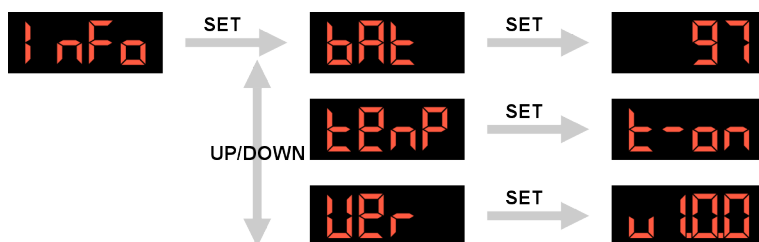
In this menu you can reset the settings of the device to the default factory settings.



Press the **SET** button to confirm the reset of the settings.

### 5.5.2.6. Information

In this menu you can view the parameters of the device.



- 01) Press the **UP/DOWN** buttons to select one of the following 3 options: battery state of charge, temperature (see [5.5.2.6.1. Temperature](#)), and firmware version.
- 02) Press the **SET** button to confirm the selection and view the value of the parameter.

### 5.5.2.6.1. Temperature

This submenu shows the temperature of the LEDs and if there are any errors:



The temperature is in the normal range.



There is a temperature error.

Contact your Highlite International dealer, if the information screen show this value.



The temperature is too high.

Switch off the device. If the issue continues, contact your Highlite International dealer.

## 5.6. Remote Control

The device can be operated with an IR remote control. The remote control is included in the delivery.



### DANGER

Do not ingest battery, chemical burn hazard.

The remote control contains a coin cell battery. If the coin cell battery is swallowed, it can cause severe internal burns in just 2 hours and can lead to death.

The battery is already installed in the remote control. It is protected against discharge by a transparent plastic foil.

- Remove the plastic foil before using the remote control for the first time.
- When replacing the battery, make sure that the polarity is correct. Incorrect polarity may damage the remote control.

### 5.6.1. Remote Control Mode

Point the IR remote control to the **IR sensor (02)** to control the device remotely (see [5.6.3. Remote Control Operation](#) on page 22). Make sure that the you point the remote control in the range of the infrared sensor.

#### Note:

You can control several devices at the same time with the IR remote control.

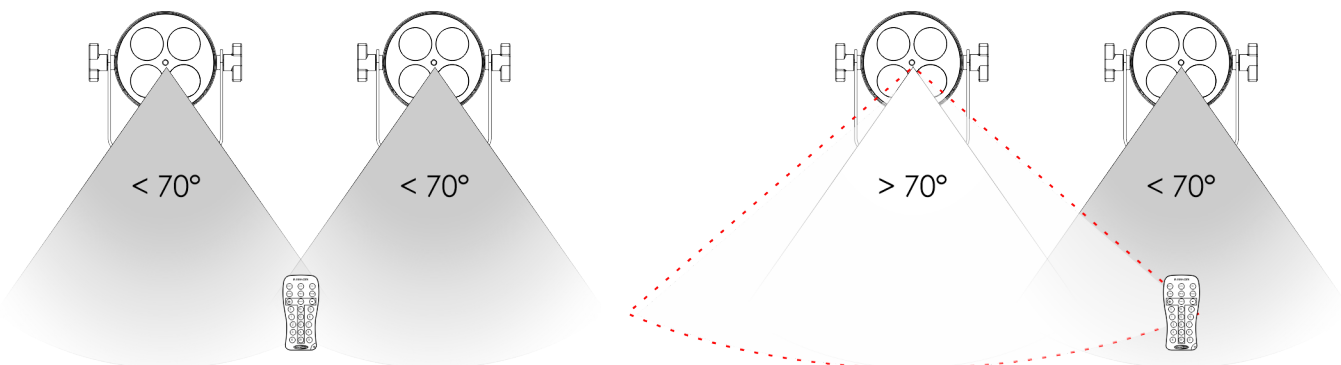
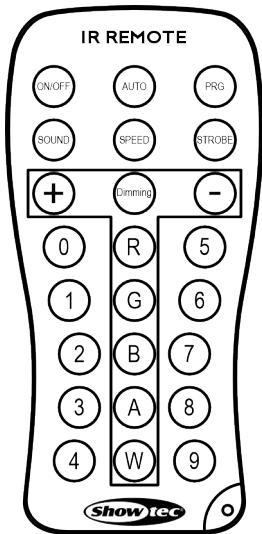


Figure 8

### 5.6.2. Functions of the Remote Control Buttons

The buttons of the remote control have the following functions:



Button	Description	Function
<b>(R)</b>	Red	Activates the red LEDs
<b>(G)</b>	Green	Activates the green LEDs
<b>(B)</b>	Blue	Activates the blue LEDs
<b>(A)</b>	Amber	Activates the amber LEDs
<b>(W)</b>	White	Activates the white LEDs
<b>(0)</b>	Color 1	Activates the cyan color
<b>(1)</b>	Color 2	Activates the UV LEDs/purple color
<b>(2)</b>	Color 3	Activates the pink color
<b>(3)</b>	Color 4	Activates the orange color
<b>(4)</b>	Color 5	Activates the white color
<b>(5)</b>	Color 6	Activates the red color
<b>(6)</b>	Color 7	Activates the green color
<b>(7)</b>	Color 8	Activates the blue color
<b>(8)</b>	Color 9	Activates the yellow color
<b>(9)</b>	Color 10	Activates the warm white

Button	Description	Function
<b>(ON/OFF)</b>	On/Off	Turns the LEDs on/off
<b>(AUTO)</b>	Auto	Auto mode
<b>(PRG)</b>	Program	Built-in programs mode
<b>(SOUND)</b>	Sound	Sound mode
<b>(SPEED)</b>	Speed	Speed adjustment of the built-in programs
<b>(STROBE)</b>	Strobe	Adds strobe effect
<b>(Dimming)</b>	Dimming	Dimming mode
<b>(+)</b>	Plus	Increases the value or selects the next program
<b>(-)</b>	Minus	Decreases the value or selects the previous program

### 5.6.3. Remote Control Operation

When you control the device with the IR remote control, the following operation modes are possible:

- Auto mode
- Built-in programs
- Static colors
- Dimming mode

With the IR remote control you can also:

- activate sound-controlled mode
- add strobe effect
- reset the settings of the device to the default factory settings.

#### 5.6.3.1. Auto Mode

Press the **AUTO** button to select auto mode. The device runs the built-in programs in a sequence.

#### 5.6.3.2. Built-in Programs

- 01) Press the **PROGRAM** button to activate the built-in programs mode.
- 02) Press the **PLUS/MINUS** buttons to select one of the built-in programs. There are 16 built-in programs available.

To change the speed of the built-in program:

- 01) Press the **SPEED** button.
- 02) Press the **PLUS/MINUS** buttons to increase or decrease the speed at which the program is played. The adjustment range is 0–10, from slow to fast.

#### Note:

You can adjust the speed only of the built-in programs 02–16.

#### 5.6.3.3. Static Colors

Press one of the **0–9** buttons to activate the desired color (see [5.6.2. Functions of the Remote Control Buttons](#) on page 21).

#### 5.6.3.4. Sound-controlled Mode

- 01) Press the **SOUND** button to activate the sound-controlled mode.
- 02) Press the **PLUS/MINUS** buttons to increase or decrease the sensitivity of the built-in microphone. The adjustment range is 00–31, from off to high sensitivity. If you select a value in the range 01–31, the device runs the selected built-in chase (see [5.6.3.2. Built-in Programs](#) on page 22) reacting to the beat of the music.

#### 5.6.3.5. Dimming Mode

In this operation mode you can adjust the intensity of the LEDs individually for each color: red, green, blue, white, amber, and UV.

- 01) Press the **DIMMING** button to activate dimming mode.
- 02) Press one of the **R/G/B/W/A/1** buttons to select the respective LEDs.
- 03) Press the **PLUS/MINUS** buttons to increase or decrease the intensity. The adjustment range is 0–10, from low to high intensity.

#### 5.6.3.6. Strobe

You can add strobe effect:

- to the built-in programs
- to the static colors, and
- in dimming mode.

To add strobe effect:

- 01) Press the **STROBE** button.
- 02) Press the **PLUS/MINUS** buttons to increase or decrease the strobe frequency. The adjustment range is 0–20 Hz.
- 03) Press the **STROBE** button again to stop the strobe effect.

#### 5.6.3.7. Factory Reset

You can reset the settings of the device to the default factory settings with the remote control.

Press and hold down the **ON/OFF** button and then press continuously buttons **9**, **8** and **7** in this order.

## 6. Troubleshooting

This troubleshooting guide contains solutions to problems which can be carried out by an ordinary person. The device does not contain user-serviceable parts.

Unauthorized modifications to the device will render the warranty void. Such modifications may result in injuries and material damage.

Refer servicing to instructed or skilled persons. Contact your Highlite International dealer in case the solution is not described in the table.

Problem	Probable cause(s)	Solution
The device does not turn on	The battery is depleted	<ul style="list-style-type: none"> <li>Recharge the battery (see <a href="#">4.5. Charging the Battery</a> on page 14)</li> </ul>
The device does not respond to the remote control	The remote control is outside of the range of the infrared sensor	<ul style="list-style-type: none"> <li>Walk closer to the device or change the angle at which you point the remote control to the device (see <a href="#">5.6.1. Remote Control Mode</a> on page 20)</li> </ul>
	The battery of the remote control is depleted	<ul style="list-style-type: none"> <li>Change the battery of the remote control (see <a href="#">5.6. Remote Control</a> on page 20)</li> </ul>
No light or LEDs cut out intermittently	LEDs are damaged	<ul style="list-style-type: none"> <li>Turn off the device. Contact your Highlite International dealer</li> </ul>

## 7. Maintenance

### 7.1. Preventive Maintenance



**Attention**  
Before each use, examine the device visually for any defects.

Make sure that:

- All screws used for installing the device or parts of the device are tightly fastened and are not corroded.
- The safety devices are not damaged.
- There are no deformations on housings, fixings and installation points.
- The lens is not cracked or damaged.
- The power cables are not damaged and do not show any material fatigue.

#### 7.1.1. Basic Cleaning Instructions

The external lens of the device must be cleaned periodically in order to optimize the light output. The cleaning schedule depends on the conditions at the site where the device is installed. When smoke or fog machines are used at the site, the device will need more frequent cleaning. On the other hand, if the device is installed in well-ventilated area, it will need less frequent cleaning. To establish a cleaning schedule, examine the device at regular intervals during the first 100 hours of operation.

To clean the device, follow the steps below:

- 01) Disconnect the device from the electrical power supply.
- 02) Allow the device to cool down for at least 15 minutes.
- 03) Remove the dust collected on the external surface with dry compressed air and a soft brush.
- 04) Clean the lens with a damp cloth. Use a mild detergent solution.
- 05) Dry the lens carefully with a lint-free cloth.
- 06) Clean the connectors with a damp cloth.



### Attention

- Do not immerse the device in liquid.
- Do not use alcohol or solvents.
- Make sure that the connectors are fully dry before using them.

## 7.2. Corrective Maintenance

The device does not contain user-serviceable parts. Do not open the device and do not modify the device.

Refer repairs and servicing to instructed or skilled persons. Contact your Highlite International dealer for more information.

## 8. Deinstallation, Transportation and Storage

### 8.1. Instructions for Deinstallation



#### WARNING

Incorrect deinstallation can cause serious injuries and damage of property.

- Always observe the national and site-specific regulations during deinstallation and derigging of the device.
- Wear personal protective equipment in compliance with the national and site-specific regulations.

### 8.2. Instructions for Transportation

This device contains a rechargeable (secondary) lithium-ion battery. Lithium-ion batteries contained in equipment fall under the category of dangerous goods for transportation.

- Make sure that you are in compliance with all applicable transportation regulations when you transport the device.
- Use the original packaging to transport the device or other suitable packaging that complies with the regulations for transportation of secondary lithium-ion batteries.

#### Note:

There is a hard plastic case available for this product (see [3.5. Optional Accessories](#) on page 11). It has pre-formed foam interior and can accommodate up to 6 devices EventLITE 4/8 Mini Q6 IP65. You can use this case to transport the device.

### 8.3. Storage

This device contains a rechargeable (secondary) lithium-ion battery. The battery is not replaceable. The battery may explode or cause burns if it is crushed, disassembled or exposed to fire or high temperatures.

- Store the device in a dry place, at temperatures between 5 and 20 °C. Lithium-ion batteries self-discharge during storage. Temperatures above 20 °C speed up the self-discharging process.
- Do not store the device with depleted battery. Make sure that the battery is charged to at least 50 % before storing the device.
- If the device is stored for an extended period, check regularly the state of charge of the battery (see [5.5.2.6. Information](#) on page 19).
- Clean the device before storing (see [7.1.1. Basic Cleaning Instructions](#) on page 24).
- Store the device in the original packaging, if possible.

#### Note:

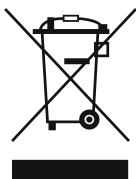
There is a hard plastic case available for this product (see [3.5. Optional Accessories](#) on page 11). It has pre-formed foam interior and can accommodate up to 6 devices EventLITE 4/8 Mini Q6 IP65. You can use this case to store the device.

## 9. Disposal

---

This device contains a lithium-ion battery. Do not dispose of with the household waste.

#### Correct disposal of this product



#### Waste Electrical and Electronic Equipment

This symbol on the product, its packaging or documents indicates that the product shall not be treated as household waste. Dispose of this product by handing it to the respective collection point for recycling of electrical and electronic equipment. This is to avoid environmental damage or personal injury due to uncontrolled waste disposal. For more detailed information about recycling of this product contact the local authorities or the authorized dealer.

## 10. Approval

---



Check the respective product page on the website of Highlite International ([www.highlite.com](http://www.highlite.com)) for an available declaration of conformity.

