

DEVINE

Onyx Passive 6 / 8 / 10 / 12 / 15
Passive speaker



User manual

The information in this user manual is subject to change at any time without notice.

Version: 1.0 Date of creation and author's initials:23-09-2017 RV Revision date and author's initials: -

Introduction

Thank you for purchasing this Devine Onyx passive speaker. We advise that you read this user manual in its entirety before unpacking the contents of the box, so that you are familiar with all of the functionality that this product has to offer. Please be sure to check that all of the parts and accessories listed below under 'box contents' are included in the package. In the event that the product does not function properly, or if you have any issues while operating it, please remove the plug from the power socket and contact your dealer for assistance.

Box contents:

– Devine Onyx passive speaker (6, 8, 10, 12 or 15 inches)

Please inspect the device and the included accessories.

Should you discover that either the device or one or more of the included parts have been damaged or rendered defective while in transit, please contact your dealer directly.

Please note that the pictures in this user manual serve illustrative purposes only and may differ from the product you receive.



DEVINE

Contact:

Devine Pro Audio Products
Verrijn Stuartweg 18
4462 GE Goes
The Netherlands

*Please do not send any products to this correspondence address.
Should you wish to send in a product for repair or for a refund, please contact your dealer for an RMA
(Return Merchandise Authorisation).*

The information in this user manual is subject to change at any time without notice.

Version: 1.0 Date of creation and author's initials: 23-09-2017 RV Revision date and author's initials: -

Safety instructions



WARNING!



Keep this device away from moisture, water and rain to avoid the chance of electric shocks.

Everyone involved with the installation, operation and maintenance of this device must:

- Be qualified
- Be skilled
- Have read the instructions in this user manual
- Be sure that neither the device nor the included accessories are damaged. Should the device or the included accessories be damaged, please contact your dealer for more information.
- Ensure that the device is in good working condition and is safe to operate. Please follow the advice and instructions as they are described in this user manual.

Damage caused by misuse and/or modifications made to the device are not covered by the warranty. This device does not contain any parts that need to be repaired or replaced by the user. Should maintenance or repairs be necessary, they must be handled by a qualified technician.

Important information regarding health and safety:

- Do not remove any labels or stickers from this device.
- Do not leave any cables lying around.
- The device should not be opened up, and any hardware or software that may be present should not be modified.
- To achieve optimal performance, inputs on this device should not be fed with a signal higher than necessary.
- The device should only be used indoors; contact with water, rain and moisture should always be avoided. Do not place any objects containing liquids on top of the device.
- Remove the device from any nearby flames or heat sources; do not place it near flammable fluids, gasses or objects.
- Disconnect this device from the power supply if it will not be used for a longer period of time, if maintenance is necessary, or if the device needs to be cleaned.
- Do not pull on the cable to remove a connector, as this could cause damage.
- Do not use any cables other than the ones described in this manual. Do not use defective cables. Please contact your dealer if the included or necessary cables do not function properly with this device.
- In the event that the device is exposed to extreme temperature changes (e.g. transported through a cold outside environment into a warm indoor environment), it should not be turned on until it has reached room temperature. This is necessary to prevent moisture from forming in the device, which could lead to electric shocks.

Guidelines and operation of this device:

- This device is intended for adult use only.
- This device is not suitable for use by children, and should always be operated by an adult.
- This device may only be used in a suitable environment where no damage to the device can occur. Do not use the device in moist or dusty environments such as:
 - indoor swimming pools where chlorine is used
 - beaches where there is sand and salt
 - outdoors
 - indoors in spaces where intense heat sources are present, or where it reaches temperature levels that would be considered uncomfortable for a person
- Avoid impacts and collisions during use and transport. Do not transport the device while it is in use. Avoid using excessive force when installing and operating the device.
- The user should become familiar with the functions of this device before using it.

The information in this user manual is subject to change at any time without notice.

Version: 1.0 Date of creation and author's initials:23-09-2017 RV Revision date and author's initials: -

- Should the device not be used in the manner described in this user manual, damages or even injuries could occur. Devine cannot be held responsible for any injuries or damages that occur as a result of improper use of this product.

Storage and transport:

- This product is designed for mobile use. It can be transported separately as long as it's well-protected against shocks and collisions.
- This device is not designed for permanent (24/7) use. The expected lifespan of the device will not be affected by occasionally turning the device off. Disconnect the device or turn off the power when it is not actively in use.
- If the device will not be used for a longer period of time, it should be disconnected and stored in a dust-free environment.
- Do not expose the device to extreme temperature differences.

Housing




- Inspect the device's housing frequently, and always just before use. Avoid operating the device if there are large dents or cracks, or if screws are missing. Do not use the device if the housing is not in good condition. Contact your dealer or a qualified technician if you are unsure about the state of the device.

- Check the device and the screws for corrosion. Corrosion must not be present on this device. Contact your dealer or a qualified technician if you find any corrosion on the screws.

Every power and signal connector should be securely mounted. Do not use the device if the connectors are not secure.

Avoid dust and dirt build-up. Clean the device once a month by disconnecting it from the power supply and wiping it down with a dry or slightly moist cloth. If the device is used frequently, the cleaning intervals should increase.

Symbol explanation:

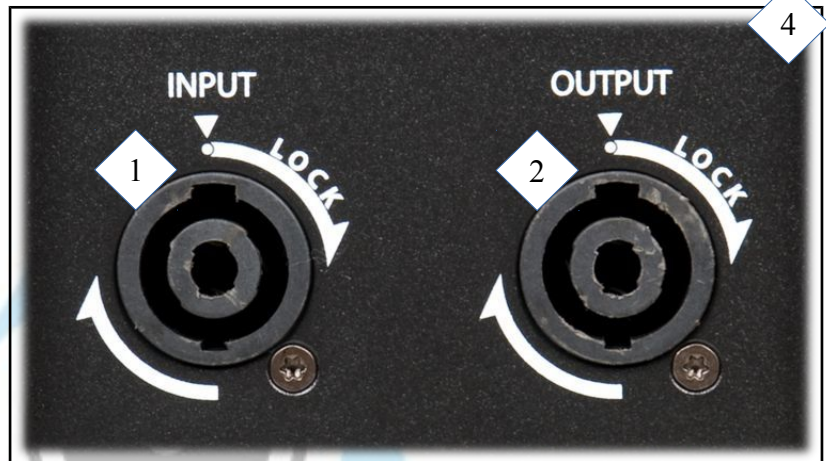
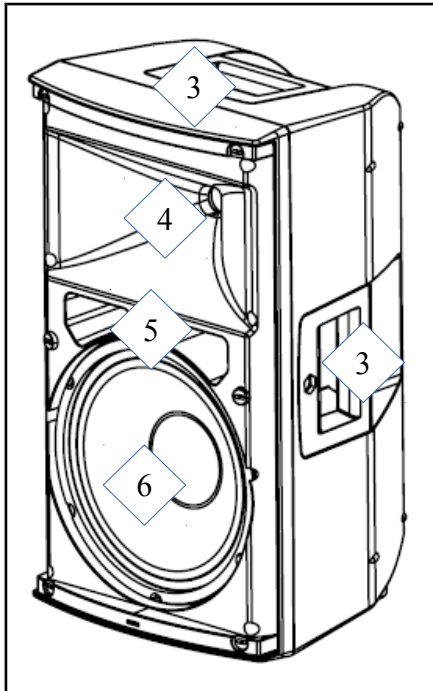
	<p>WEEE: Ensure that this device is disposed of properly. This product falls under the WEEE (Waste Electrical and Electronic Equipment) directive. The requirements of this directive apply to all manufacturers and producers of electronic devices in the EU. Do not throw this product away with regular rubbish. Please contact your local authority for more information about how to recycle and dispose of these products in your region. By recycling this product in the proper manner, we can work together to ensure that we can continue to enjoy these kinds of products and still protect the environment as much as possible from pollution.</p>
	<p>CE: The CE logo indicates that this product meets the European norms and requirements to which it must legally conform.</p>
	<p>Only suitable for indoor use: this product was only designed for indoor use. The maximum environmental temperature must not exceed 40 degrees Celsius (104 degrees Fahrenheit).</p>

The information in this user manual is subject to change at any time without notice.

Version: 1.0 Date of creation and author's initials:23-09-2017 RV Revision date and author's initials: -

Guidelines and operation of this device

1. speaker input via 4-pin lockable speaker connector
2. speaker parallel output via 4-pin lockable speaker connector
3. handle (varies per model)
4. high tone speaker (compression driver) with horn
5. bass reflex ports
6. low tone speaker



DEVINE

The information in this user manual is subject to change at any time without notice.

Version: 1.0 Date of creation and author's initials:23-09-2017 RV Revision date and author's initials: -

Operating the device

The Onyx speakers can be used for different purposes, but it's important to be aware of the following information beforehand in order to achieve optimal performance.

Warning before use

Devine's Onyx speakers are capable of producing volume levels that can cause temporary or permanent hearing damage. Use these units with care and keep the volume at a reasonable level when possible. The volume should ideally be set to a comfortable level when listening to music.

Devine cannot be held liable for any injuries or damage resulting from the use of this product.

General use

Housing

The Onyx speaker has a robust housing made of moulded plastic. While this is designed to withstand regular mobile use, it is not designed to withstand falls or damage by (relatively) sharp objects.

During use, storage and transport, ensure that the speaker cannot fall or be damaged by nearby objects that could fall or move.

Handles

The Onyx speakers are all equipped with a handle on the top. The 10-inch version also has one handle on the side, while the 12-inch and 15-inch versions have extra handles on both sides.

The handles are designed to make it easier to pick up and move the speakers only. They should never be used as part of the speaker's installation. The use of harnesses or tension straps is not recommended when stacking the speaker on top of a subwoofer, for instance. If you do decide to use harnesses or straps, however, ensure that the handles are not subjected to great forces as this is likely to cause damage.

Protection during transport

While the Onyx speakers can be transported, they are not waterproof and caution is therefore advised if they taken outside during rain or in adverse weather conditions. If they are exposed to moisture in any form, ensure that they are completely dry again before use. Failure to do so may result in a short circuit which could cause permanent damage or injury. Exposure to moisture can also cause visible or invisible corrosion which may cause damage in the long term.

Grille

The Onyx speakers are equipped with a metal grille on the front to protect the speaker components behind. There is also acoustic foam behind the grille to prevent any unwanted matter from getting inside the speaker. The grille should therefore not be removed.

Stand flange

The speaker is equipped with a 35mm stand flange on the bottom which allows it to be easily mounted on a stand. From an elevated position, the speaker's high tones will travel further thereby reaching a larger audience.

For optimal sound dispersion, the middle of the speaker's woofer should ideally be placed at a height of between 1.80 and 2.00 metres.

By means of a knob, the stand flange can be tightened to hold the speaker firmly in place on the stand. As well as being secure, this also prevents undesirable vibrations and resonance.

When the speaker is mounted on a stand, make sure that the stand is not placed anywhere it will be in the way and/or could be knocked over. The legs on a stand should always be fully extended to ensure optimal stability.

The 35 mm stand flange can also be used to mount the speaker on a suitable wall bracket. Consult the

The information in this user manual is subject to change at any time without notice.

Version: 1.0 Date of creation and author's initials: 23-09-2017 RV Revision date and author's initials: -

manual or instructions that come with your wall bracket to ensure proper installation before mounting the speaker.

Audio technology

The Onyx speaker series features the very latest in audio technology. By adhering to the following tips and instructions, you can make the most of everything this speaker has to offer for the very best audio and performance quality possible.

When using as a monitor

The Onyx speakers are suitable for use as a (floor) monitor and can be placed at an angle so that the sound is directed towards artists, performers or presenters. No extra adapters or supports are required. Ensure that the speaker is not pushed across surfaces as this may damage the speaker's housing.

Using with external equipment

It's possible to use the Onyx speaker with external equipment like crossovers, equalisers and speaker management systems. Bear in mind that using external equipment may change the character of the speaker's sound.

Using together with a subwoofer

If you want to use the Devine Onyx speakers with a subwoofer, then the corresponding Onyx passive subwoofer series is a good option. For optimal results, choose a subwoofer that is one size larger than the Onyx speaker you are currently using.

Bear in mind that you may need additional equipment in order to set up a complete speaker system. Consult your dealer for advice. A passive speaker system generally consists of two passive full-range speakers, one or two passive subwoofers, two amplifiers and a crossover. The crossover separates the frequencies from the source signal (mixer, DJ controller, tablet, computer etc.) before amplification. Low frequencies are sent to one amplifier and then passed on the subwoofer(s), while the higher frequencies are sent to the other amplifier and then passed on to the full-range speakers. Splitting the frequencies in this way gives you the most efficient and best-sounding results from a passive speaker system.

Using additional equipment like a speaker processing system gives you additional possibilities when it comes to tweaking the sound and making adjustments that are appropriate for your situation.

DEVINE

The information in this user manual is subject to change at any time without notice.

Version: 1.0 Date of creation and author's initials: 23-09-2017 RV Revision date and author's initials: -

Speaker troubleshooting guide

If you have a problem with your speaker, please consult this troubleshooting section for possible solutions. If, after consulting this section, the problem remains unresolved, please contact your dealer for more information and/or help.

This troubleshooting section contains information on how to solve the most common speaker problems, but it does not and cannot cover every eventuality. It is possible that you won't find your problem, cause and solution in this section due to differences between products.

Problem	Possible cause	Solution
No sound via one of the inputs	Cable not connected properly	Make sure that the cable is properly connected to both the speaker and the amplifier.
	Defective cable	Try using another cable to determine whether the cable is the problem.
No sound	Volume control is not turned up	Turn up the volume control on the signal source and/or amplifier to a sufficient level.
Red Clip Limiter LED lights up often or continually	Volume is too high	Lower the volume of the input signal or the amplifier. Overloading the speaker can cause permanent damage.
Distorted, clipping, crackling sound	Source device is transferring a distorted signal	Check if any of the connected source devices is transferring a distorted signal and turn down the volume on the device if necessary.
	Volume control is too loud	Turn the volume down
	The tone controls for treble and/or bass are too high or too low.	Turn the tone control back to 12 o'clock and listen to see clipping is still audible.
	Woofers or tweeters are defective	If a speaker is exposed to a loud, distorted, or clipped signal for a longer period of time, this can cause permanent damage to its internal components. If you suspect that the woofer or tweeter is damaged, contact your local dealer for assistance.
Sound is dull	Tweeter is defective	Turn the speaker to an appropriate volume (ensure that it's not too loud) so that you can listen directly to the tweeter with it close to your ear. If the tweeter is not responding it is probably defective and you should contact your dealer for assistance.
	2-band EQ incorrectly set	Check the setting of the treble control. If it's turned all the way down (fully to the left), turn it back to the neutral position (12 o'clock).

The information in this user manual is subject to change at any time without notice.

Version: 1.0 Date of creation and author's initials: 23-09-2017 RV Revision date and author's initials: -

Specifications

General specifications for all models:

- lightweight speaker cabinet with plastic housing
- 6, 8, 10, 12 or 15-inch speaker with woofer and compression driver + horn
- metal grille
- acoustic foam behind grille to prevent any unwanted matter from getting inside the speaker
- grille covers the front of the speaker for optimal protection
- tweeter has special horn construction for optimal sound dispersion
- high-quality plastic housing with black lacquer
- rubber feet
- cabinet design also suitable for use as a floor monitor
- 35mm stand flange with tightening knob secure mounting on a speaker stand and optimal dispersion of the high tones
- connectors: 1x lockable speaker input, 1x lockable speaker output

Technical specifications per model:

Model	Onyx 6	Onyx 8	Onyx 10	Onyx 12	Onyx 15
Frequency range	72 Hz – 19 kHz	61 Hz – 19 kHz	58 Hz – 19 kHz	53 Hz – 19 kHz	46 Hz – 19 kHz
Power capacity (RMS / Peak)	80 / 320 W	100 / 400 W	220 / 880 W	300 / 1200 W	350 / 1400 W
Impedance	8 ohms				
maximum SPL	108 dB	111 dB	116 dB	119 dB	121 dB
Low tone speaker	6.5-inch woofer	8-inch woofer	10-inch woofer with 2-inch voice coil	12-inch woofer with 2.36-inch voice coil	15-inch woofer with 3-inch voice coil
High tone speaker	1-inch compression driver		1.35-inch compression driver with 1-inch throat exit		
high tone driver with horn dispersion	90 x 60 degrees (H x V), asymmetrical				
Crossover frequency	3.5 kHz	3.5 kHz	3.2 kHz	2.8 kHz	2.6 kHz
Dimensions	220 x 368 x 210 mm	275 x 492 x 270.5 mm	302 x 529 x 310 mm	358 x 613 x 356 mm	425 x 698 x 385 mm
Weight per speaker	4.7 kg	4.7 kg	10.4 kg	13.5 kg	18.3 kg

The information in this user manual is subject to change at any time without notice.

Version: 1.0 Date of creation and author's initials: 23-09-2017 RV Revision date and author's initials: -