

Replacing the Mesh Head Hard Type



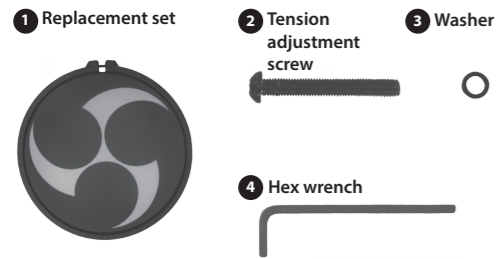
This guide explains how to replace the mesh head on the TAIKO-1. Read this guide carefully before you proceed.

Precautions during replacement

- Prepare an area in which you can perform the assembly safely.
- Make sure to keep screws and any other small parts in a safe location that is out of the reach of small children, so such small parts won't accidentally get swallowed.
- If necessary, spread out a blanket or similar material to prevent the TAIKO-1 or floor from being scratched during assembly.
- Do not use a power tool (e.g., an electric screwdriver) during assembly. Doing so may damage the screw.
- To protect your hands, wear gloves when you work.



Checking the Parts



A video is also available that shows you how to replace the mesh head.

You can view the video by visiting the following website on your computer or smartphone.

http://roland.cm/taiko_qs



1. Getting Ready

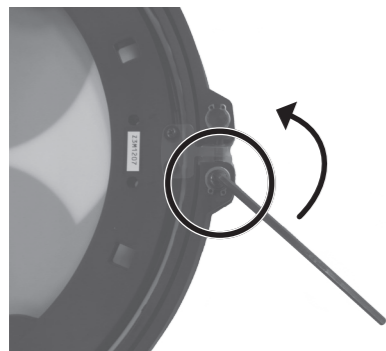
1. Referring to "Disassembly" in the "TAIKO-1 Reference Manual," remove the pad for which you want to replace the mesh head.

- * Use sufficient caution during removal, as there are some parts that require a certain amount of strength to remove.
- * Remove the pad completely from the rest of instrument.

2. Removing the Mesh Head from the Removed Pad

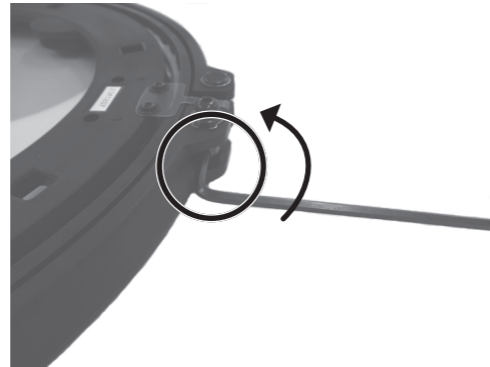
Following the steps below, disassemble the rim/frame/mesh head from the pad you removed, in order to remove the mesh head part.

1. Flip the pad over and set it down.
2. Use the included hex wrench to loosen the locking screw (counterclockwise).



- * Use caution, as operating the tension adjustment screw without loosening the locking screw may damage the instrument.
- * The locking screw is not included in the set of replacement parts.
- * You don't need to remove the locking screw.

3. Use the included hex wrench to turn the tension adjustment screw counterclockwise, loosening until it comes out.



4. Pull out the tension adjustment screw and washer, being careful not to damage the transparent cutout.

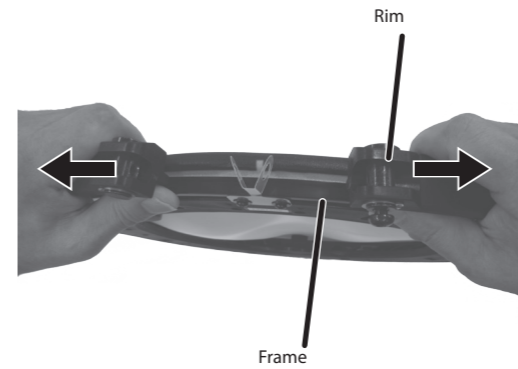
- * If the washer won't come loose, you can just leave it attached.



- * The transparent cutout is not included in the set of replacement parts.

5. Detach the outer rim.

- * Pull the rim apart as you take it off. Use sufficient caution when you lift the pad.

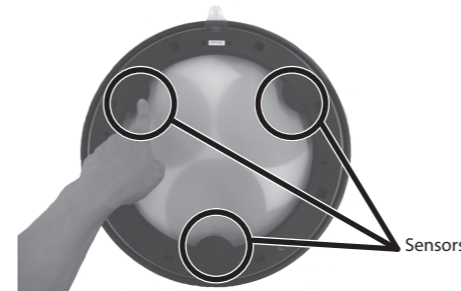


6. Remove the mesh head that fits into the frame.

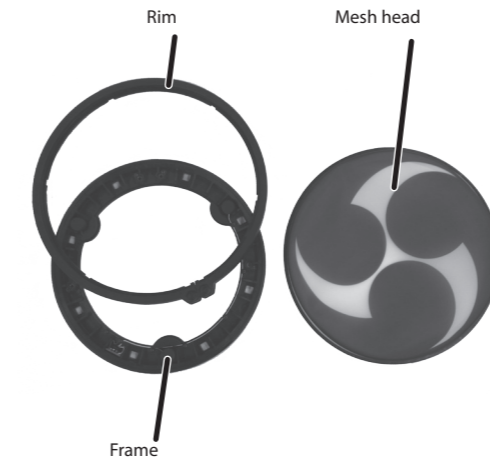
- * Pull off the mesh head while widening the mesh head frame with your hands.



- * Be careful not to touch the sensors.



Removed parts



3. Removing the Mesh Head from the New Pad

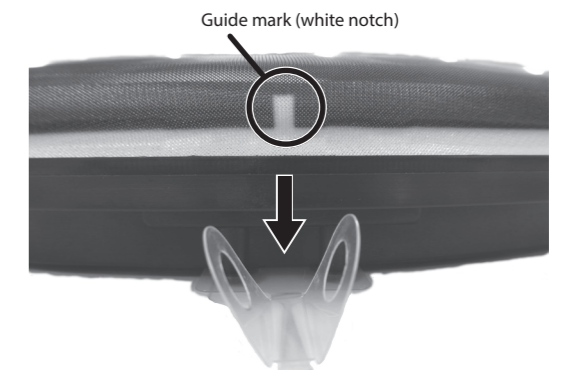
1. Following the steps in "2. Removing the Mesh Head from the Removed Pad," remove the mesh head from the replacement set in the same way.

- * The replacement set doesn't have a locking screw or transparent cutout, so you can skip step 2.2.
- * If you leave the mesh head lying around in a disassembled state, the part may deform and cannot be reattached. For this reason, make sure to replace it immediately after disassembly.
- * You can dispose of the other parts.

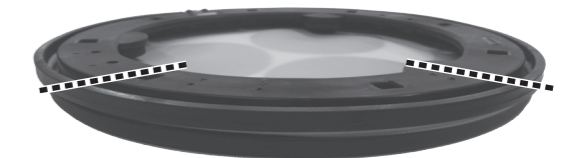
4. Attaching the New Mesh Head onto the Removed Pad

1. Fit the new mesh head onto the frame of the pad you removed.

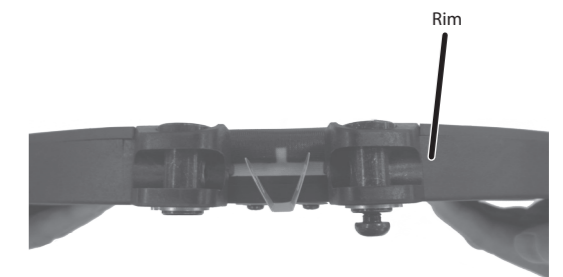
- * Align the center of the transparent cutout of the frame with the guide mark (white notch) on the mesh head to do this. Note that the instrument may not work correctly if the guide mark is not lined up right.



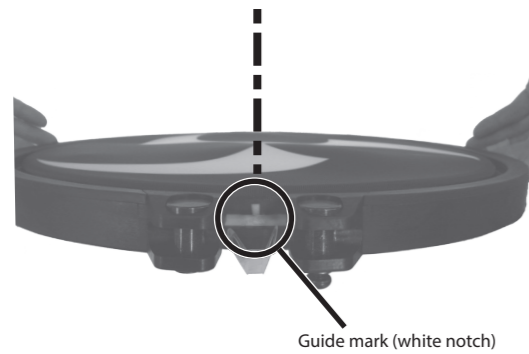
- * The frame and the black frame of the mesh head should be the same height all the way around.



2. The rim of the removed pad should be put together so that the mesh head's pad face and the top of the rim are the same height.



- * Attach the rim by lining up the center of the rim's opening with the guide mark (white notch) on the mesh head.



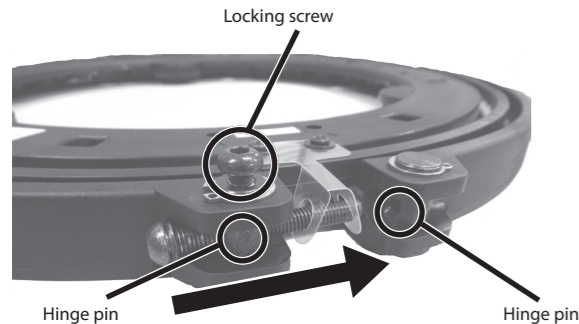
- Put together the new screw ② and washer ③ (included).



- * If the washer is still left on the rim, simply use the screw without inserting the washer.

- Tighten the head with the tension adjustment screw from step 3.

- * Insert the new tension adjustment screw into the hinge pin where the locking screw is located.

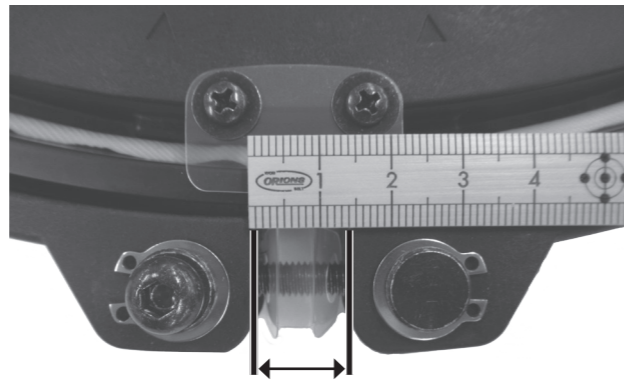


- * Pay attention to the holes on the transparent cutout into which you insert the screw. Also make sure of the direction of the hinge pin. Inserting the screw diagonally may damage the screw threads of the hinge pin.
- * The hinge pin holes should face exactly straight with the direction of the screw.



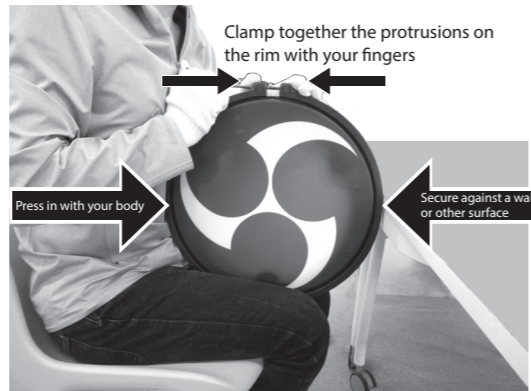
- * Adjust the screw tightness so that the opening of the rim is within the lengths shown below.

Hard Type: 12–15 mm

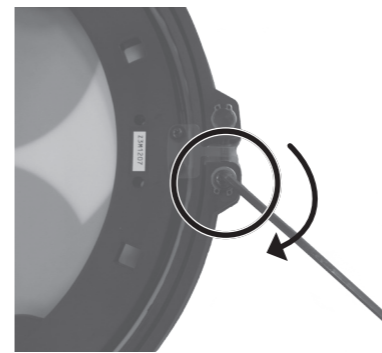


Use the alignment guide shown in the lower right corner of this page.

- * If the tension adjustment screw is no longer tightening when turned or if the screw doesn't go in right, secure the rim while referring to the illustration and tighten the tension adjustment screw. You don't need to secure the rim too tightly if the tension adjustment screw starts to tighten correctly. When doing this, be careful not to damage the wall or other surface, and make sure not to injure your fingers or other parts of your body.



- Use the included hex wrench to tighten the locking screw (clockwise).



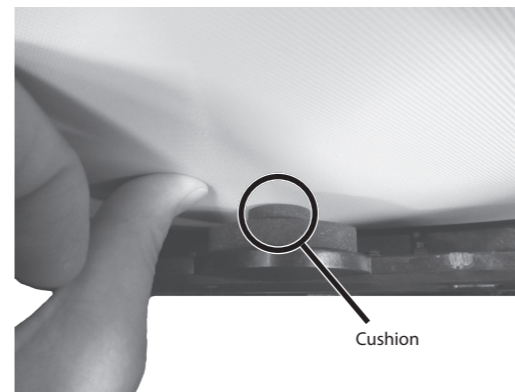
- Smooth out any deformations in the cushion.

When you pull on the mesh head to fit it onto the head, the cushion may get stretched and deform. From the back side of the pad, push the center area of the mesh head to fix the deformations in the cushion (three places).

- * Be careful not to touch the sensors.



- * Push inwards enough so that the cushion in the center separates from the mesh head.



You're now finished attaching the mesh head.



5. Adjusting the Parameters (Hard Type Heads Only)

Adjust the parameters of the TAIKO-1 so that the instrument is easier to play. With the "Hard Type" head, the strike points on the outside tend to be more easily detected, so here's how to adjust the parameters to compensate.

- On the TRIGGER screen, select "Pad Settings" and press "SELECT" (F2 button).

The PAD SETTINGS screen appears.



- Strike to select the pad that you want to set.

- Adjust the "Pos Adjust" value so that the pad is easier to play. A value from +2 to +7 is most appropriate.

Roland Service Centers and Distributors

When you need repair service, access this URL and find your nearest Roland Service Center or authorized Roland distributor in your country.

<https://roland.cm/service>



Alignment guide

