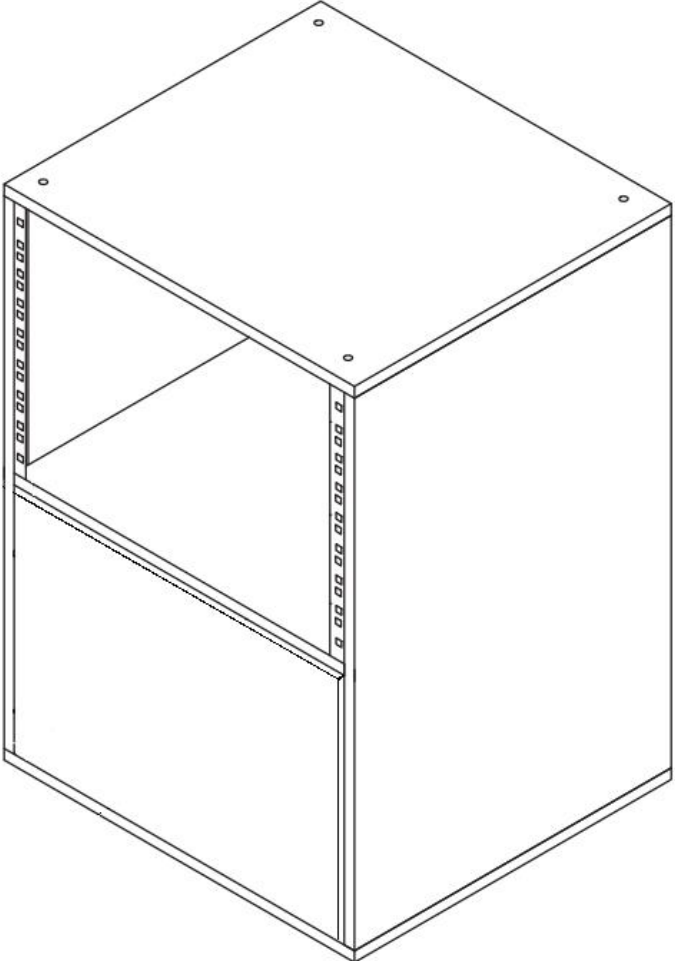
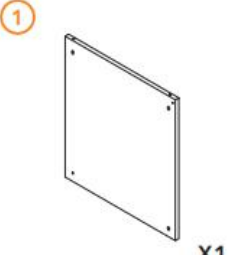




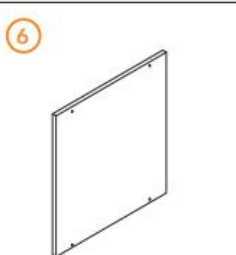
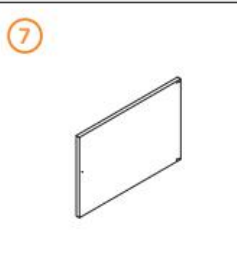


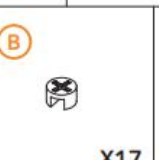

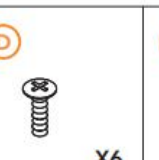


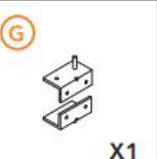
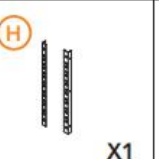



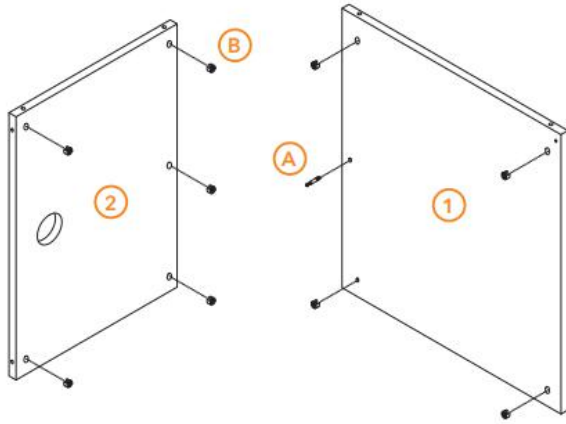
USER MANUAL




Supplied Parts List:

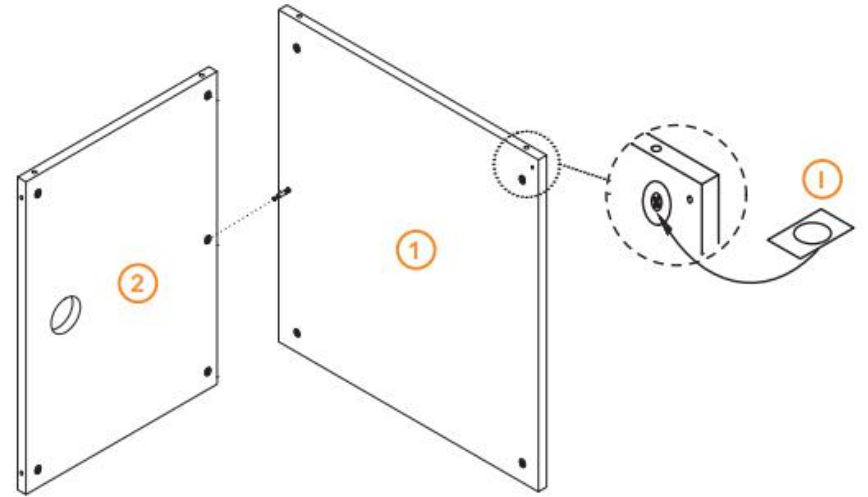
 <p>1 X1</p>	 <p>2 X1</p>	 <p>3 X1</p>	 <p>4 X1</p>		
 <p>5 X1</p>	 <p>6 X1</p>	 <p>7 X1</p>	 <p>8 X1</p>		
 <p>A X17</p>	 <p>B X17</p>	 <p>C X4</p>	 <p>D X6</p>	 <p>E X4</p>	 <p>F X1</p>
 <p>G X1</p>	 <p>H X1</p>	 <p>I X17</p>			

STEP 1

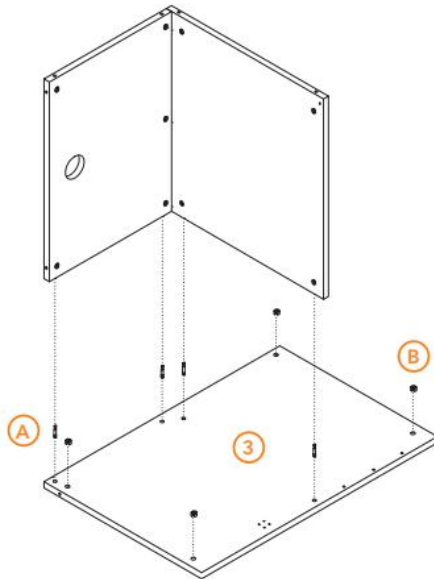


-  (A) X1
-  (B) X9

STEP 2

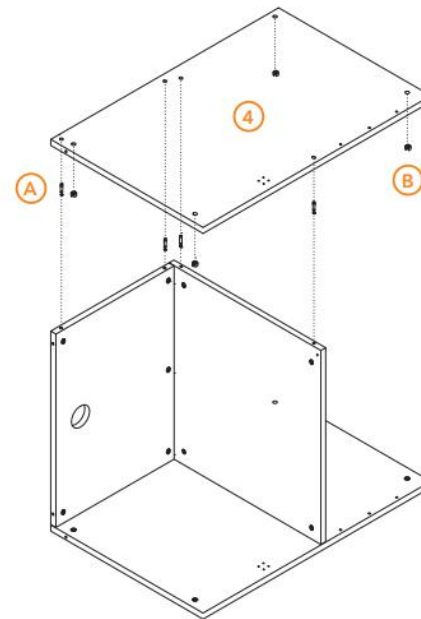


STEP 3



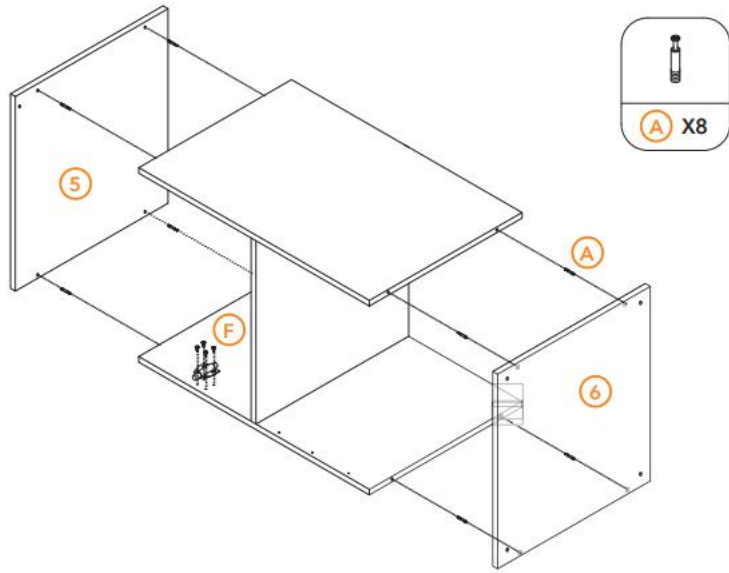
-  (A) X4
-  (B) X4

STEP 4

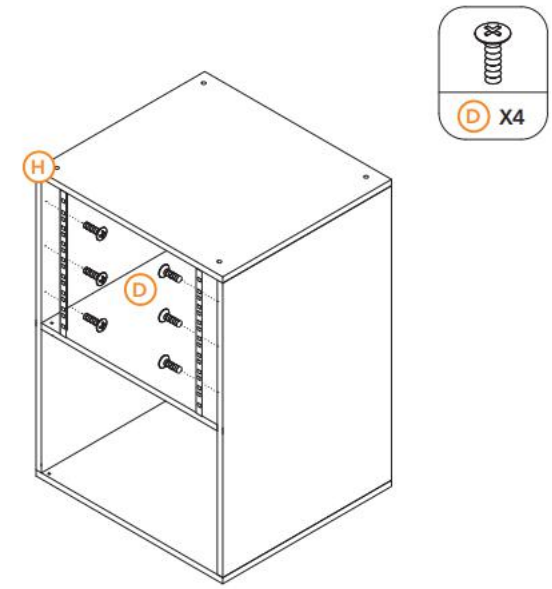


-  (A) X4
-  (B) X4

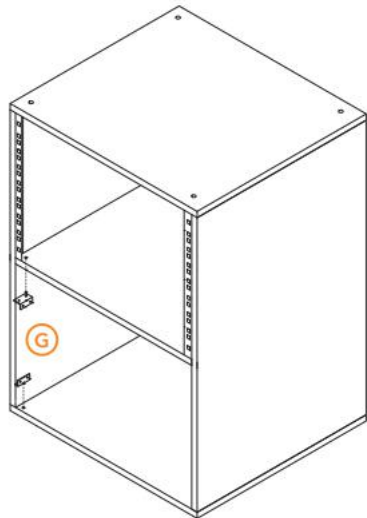
STEP 5



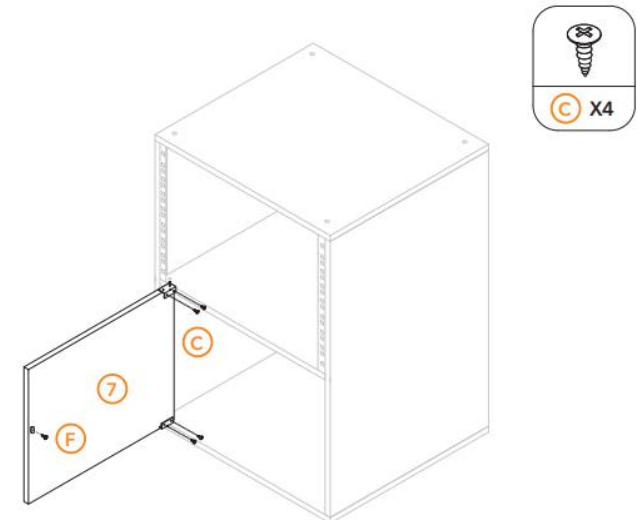
STEP 6



STEP 7



STEP 8



STEP 9

