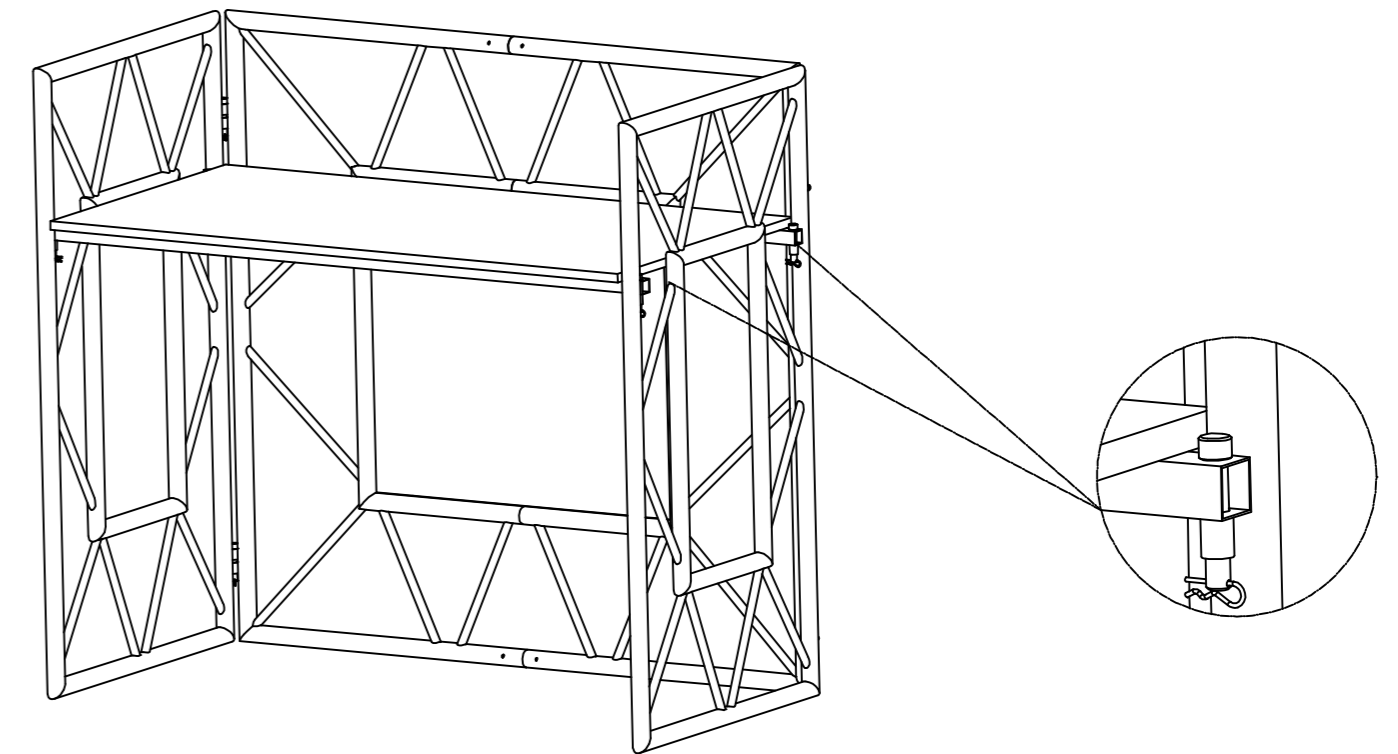
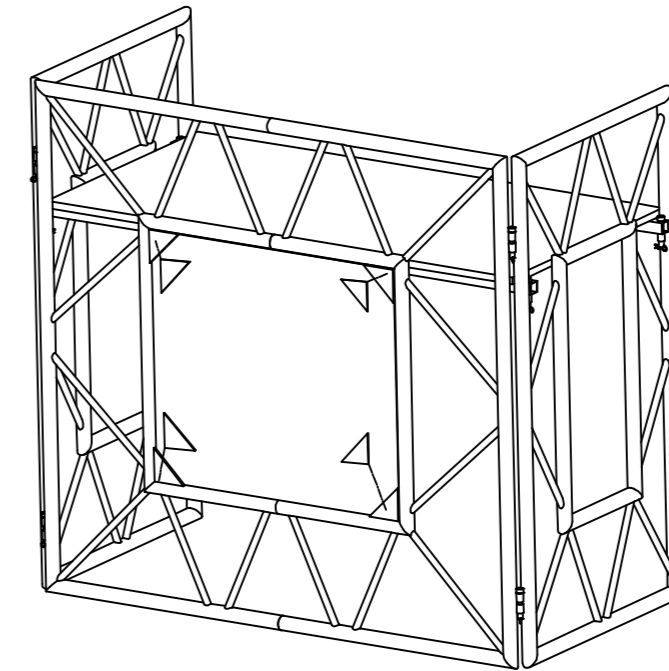


STEP 2



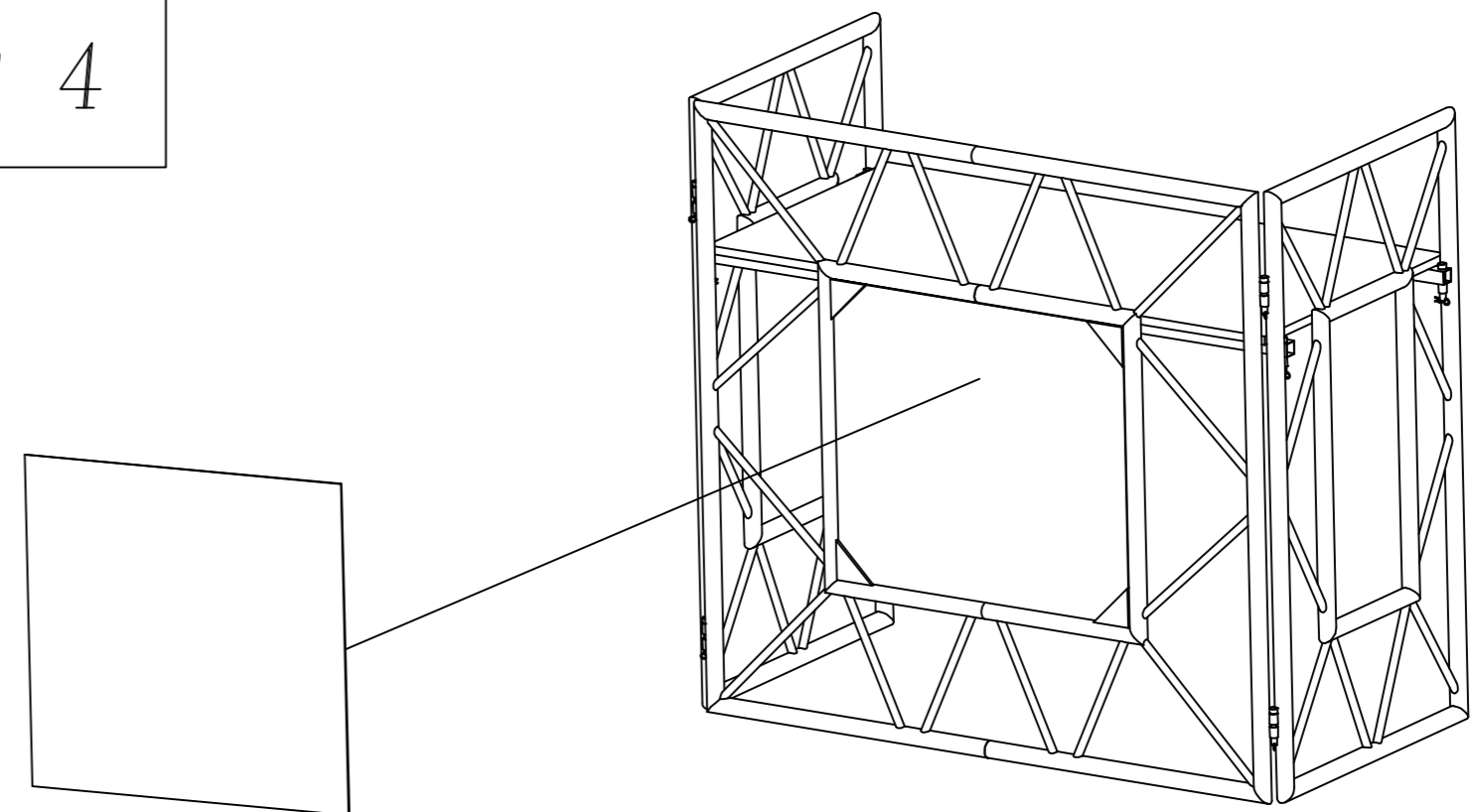
Put the shelf via tubes under it on two side panels, use the bolts and locking pins to fix them.

STEP 3



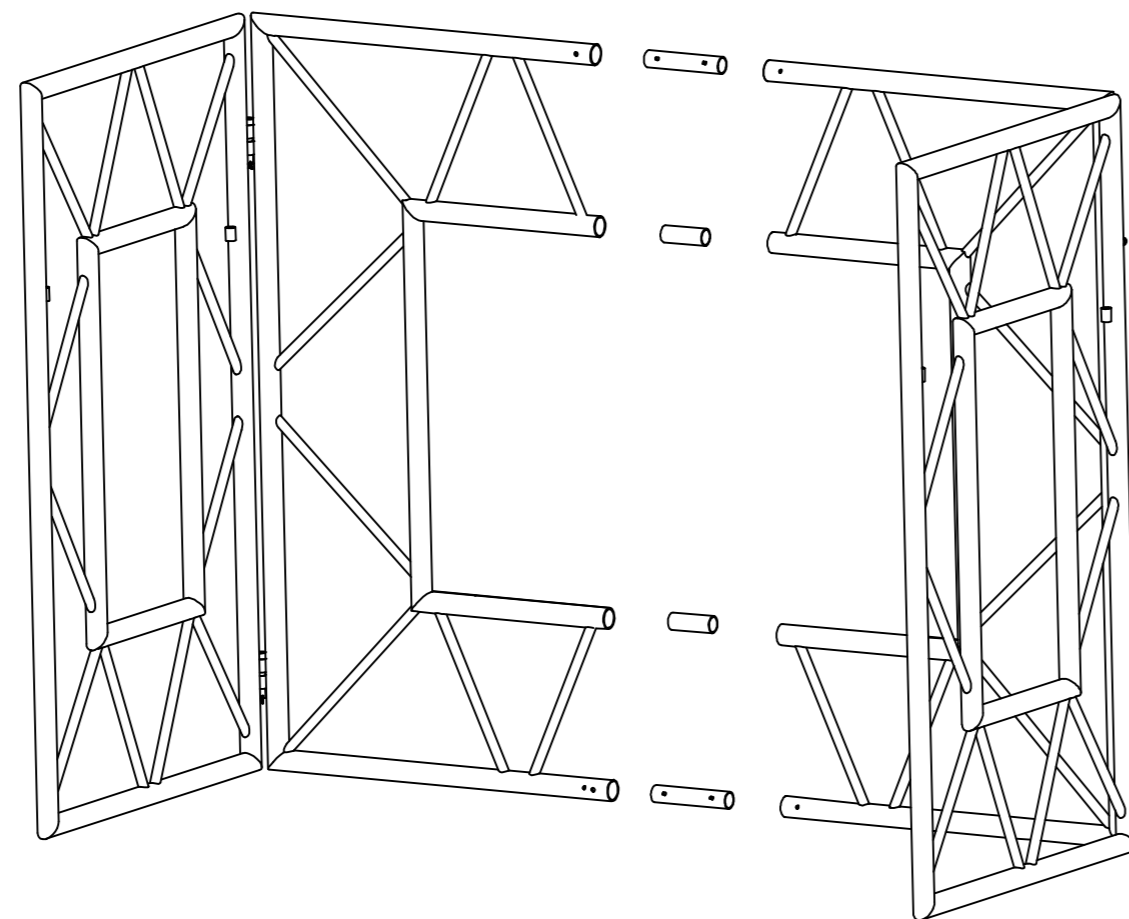
Fix the Velcro on the corners of the sign board and the corners on the front frame.

STEP 4



Stick the sign board on the front panel.

STEP 1



Connect the left panels and right panels with:
1. Two spring pin tubes on the top and bottom.
(The spring pin ONLY needs to go into one side of the panel tube hole)
2. Two short tubes for the middle (May not apply sometimes)