

LED RF-CONTROL DIM

05396

DESCRIPTION

User-friendly 1channel controller for 1color LED-lighting (LED strips).

FEATURES

- User-friendly 1channel controller for 1color LED-lighting (LED strips)
- The stylish RF-remote has very easy-to-use features:
 - Radio frequency (433,92MHz): you don't have to point it to the receiver!
 - Remote on/off
 - Delay off: light turns off after 30seconds
 - Seamless 0% - 100% dimming + 4 preset levels (10, 30, 70, 100%)
 - [Night light] button (adjustable output: 1% to 10%)
 - 3 working modes: static or blink / wave with adjustable speed
- Several controllers can work together in perfect sync.
- Each receiver can be programmed for use with up to 3 RF-remotes.
- PWM technology for smooth and flicker-free dimming from 0% to 100%
- Connects directly to 1color flexible LED-strips and other constant voltage LED-lights.
- Max. output power: 240Watt @12V * 480Watt @ 24V
- Perfect for use in LED installations for homes, shops, ...
- Battery IR-remote: 2x 1.5V AAA-battery



www.jb-systems.eu | <https://www.facebook.com/JBS.Belgium/>

Beglec NV has the right to change products and specifications with and without notice. Major as well as minor changes can be involved. This leaflet can contain errors, therefore we advice to consult your local dealer to ensure that actual features and specifications match your requirements. Copyright © 2015 by BEGLEC NV. All rights reserved.

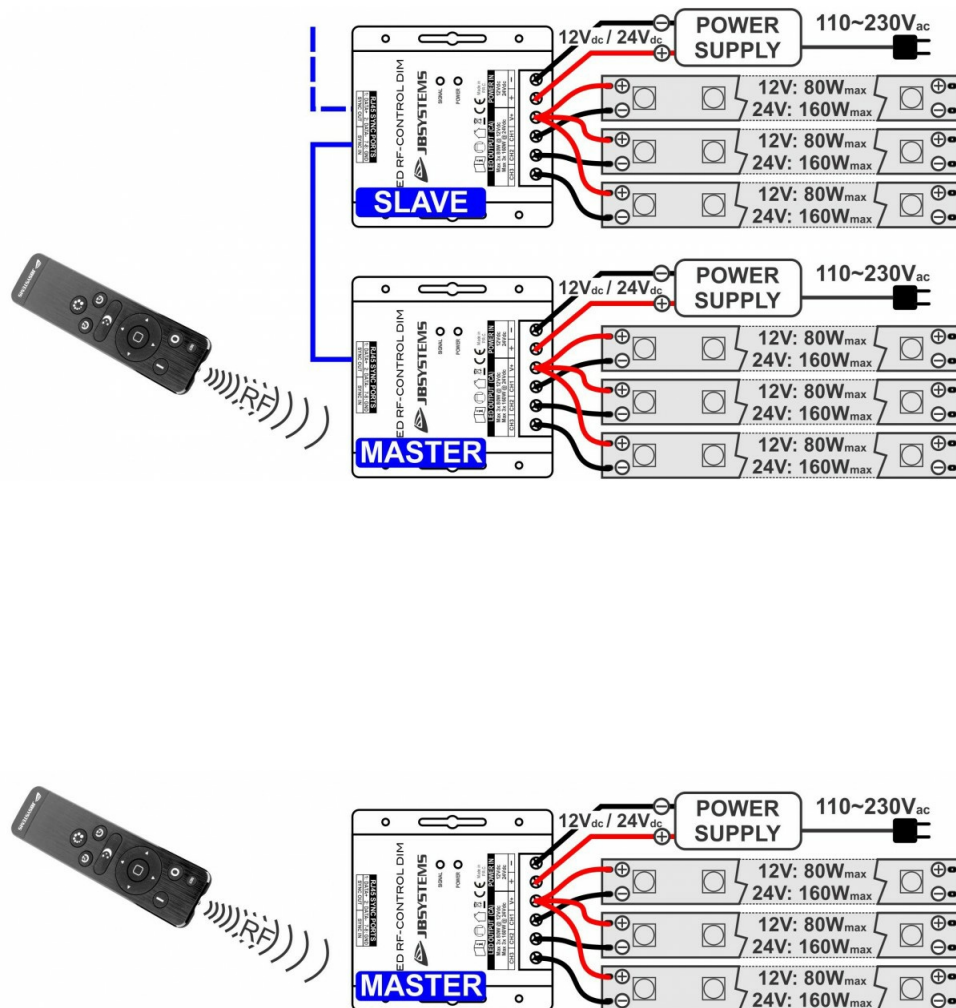


JBSYSTEMS

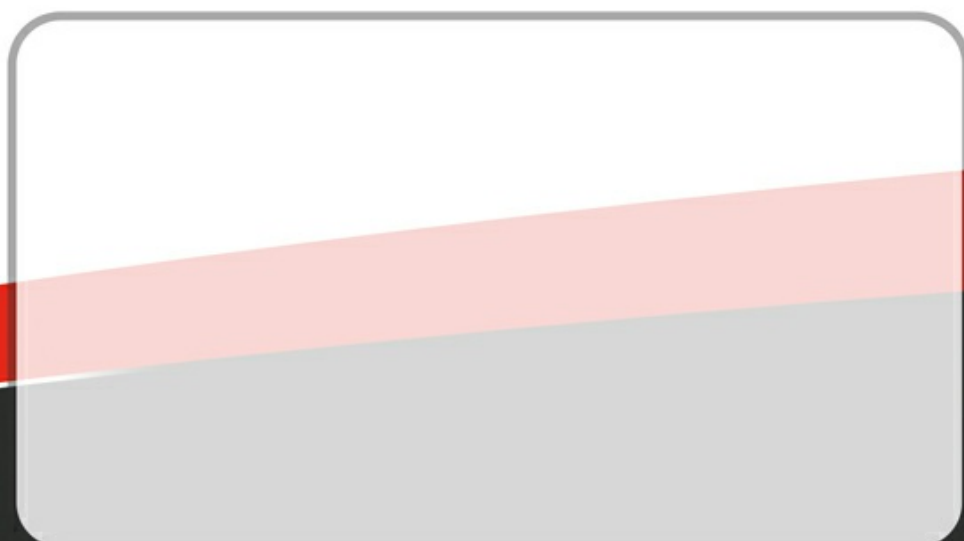


SPECIFICATIONS

General : Application	Architectural, Commercial lighting
General : Dimensions (cm)	15 x 4 x 2 cm
General : Weight (kg)	0.25
General : Powerinput	24Vdc, 12Vdc
General : Energy Label	N/A
General : Power consumption W	No
General : Color	black
General : Display	none
General : Fixation	No
General : IP rating	indoor
Control : programmable	No
Control : upgradable software	No
Control : maximum DMX channels	No
Connections : input	No
Connections : output	No
Connections : XLR 3 pin	No
Connections : XLR 5 pin	No
Connections : rca	No
Connections : jack	No
Connections : Power Conn.	No
Connections : hdmi	No
Connections : midi	No
Connections : usb	No
Connections : wifi	no
Connections : bluetooth	No
Connections : artnet	No
Connections : rdm	No
EANCode	5420025653961
Discontinued	No



YOUR DEALER



www.jb-systems.eu | <https://www.facebook.com/JBS.Belgium/>

Beglec NV has the right to change products and specifications with and without notice. Major as well as minor changes can be involved. This leaflet can contain errors, therefore we advice to consult your local dealer to ensure that actual features and specifications match your requirements. Copyright © 2015 by BEGLEC NV. All rights reserved.

