



**THE BEST SUPPORT  
FOR YOUR AV & IT HARDWARE**  
T: + 31(0)23-5478888 | E: info@newstar.eu | W: www.newstar.eu

## FPMA-D550D3BLACK NEWSTAR FLAT SCREEN DESK MOUNT

Newstar Tilt/Turn/Rotate Triple Desk Mount  
(clamp) for three 10-27" Monitor Screens,  
Height Adjustable - Black



The NewStar desk mount, model FPMA-D550D3BLACK is a tilt-, swivel and rotatable desk mount for 3 flat screens up to 27". This mount is a great choice for space saving placement on desks using a desk clamp or grommet mount.

NewStar's versatile tilt (+45°/-45°), rotate (360°) and swivel (180°) technology allows the mount to change to any viewing angle to fully benefit from the capabilities of the flat screen. The mount is manually height adjustable from 0 to 44 centimetres. An innovative cable management conceals and routes cables from mount to flat screen. Hide your cables to keep the workplace nice and tidy.

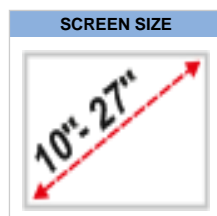
NewStar FPMA-D550D3BLACK has four pivot points and is suitable for screens up to 27" (69 cm). The weight capacity of this product is 7 kg per screen. The desk mount is suitable for screens that meet VESA hole pattern 75x75 or 100x100mm. Different hole patterns can be covered using NewStar VESA adapter plates.

By using an ergonomic mount neck- and back complaints can be avoided. Ideal for use in offices and on counters or in a reception area.

All installation material is included with the product.

### SPECIFICATIONS

Screens	3
Screen size	10 - 27"
Max. weight	21
Desk mount	Desk clamp & grommet
VESA minimum	75x75 mm
VESA maximum	100x100 mm
Depth	4 - 46 cm
Height	0 - 44 cm
Tilt	90°
Rotation	360°
Swivel	180°
Color	Black
Warranty	5 year
EAN code	8717371446406



NewStar Products Europe B.V.  
Wateringweg 62/B  
2031 EJ HAARLEM  
THE NETHERLANDS

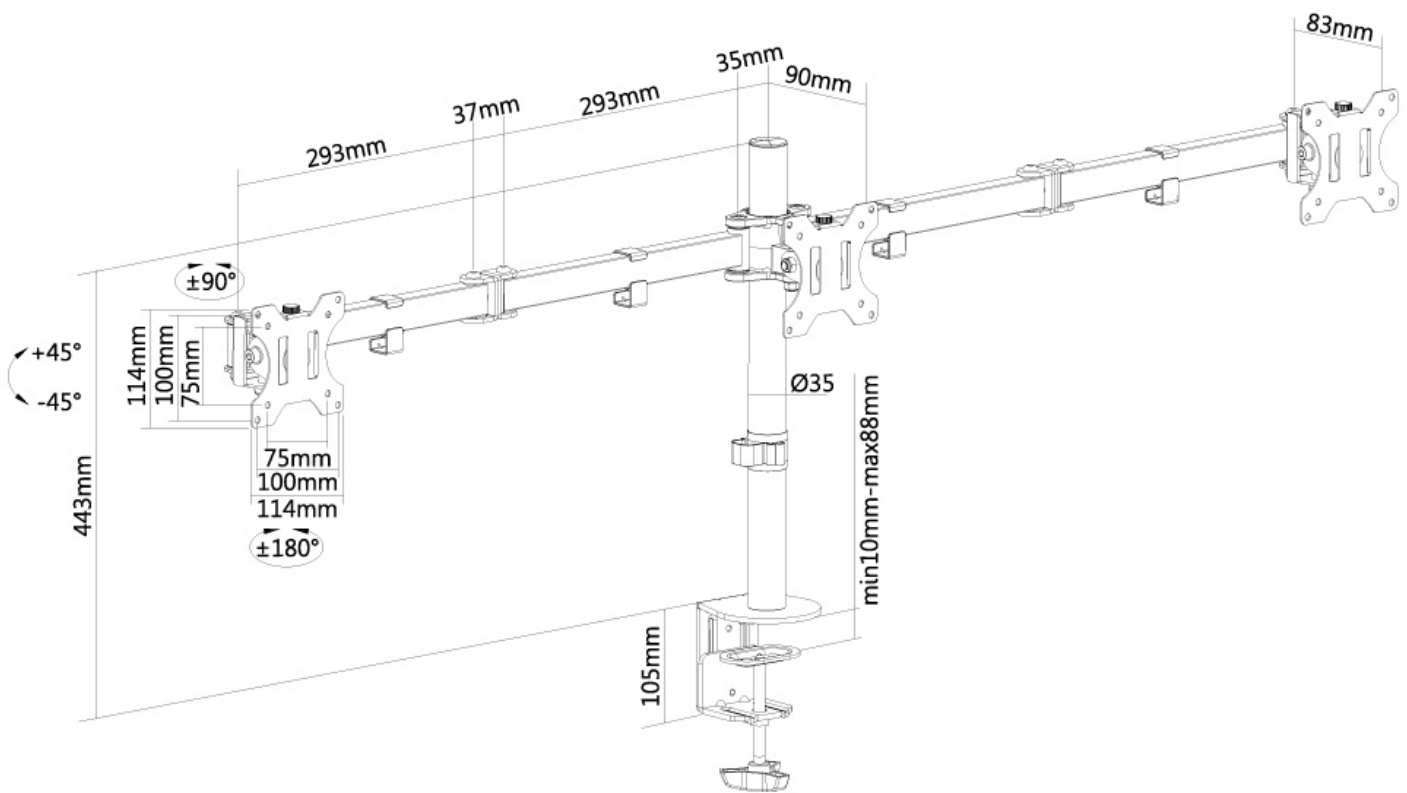
Phone : +31(0)23-5478888  
Fax : +31(0)23-5478889  
Email : info@newstar.nl  
Website : www.newstar.eu

NewStar cannot be held liable for any inaccuracies and copyrights.  
No part of this publication may be reproduced and/or published by print, photocopy, microfilm or in any other way, without prior written permission of  
NewStar Computer Products Europe BV.



**THE BEST SUPPORT  
FOR YOUR AV & IT HARDWARE**  
T: + 31(0)23-5478888 | E: info@newstar.eu | W: www.newstar.eu

# FPMA-D550D3BLACK NEWSTAR FLAT SCREEN DESK MOUNT



NewStar Products Europe B.V.  
Wateringweg 62/B  
2031 EJ HAARLEM  
THE NETHERLANDS

Phone : +31(0)23-5478888  
Fax : +31(0)23-5478889  
Email : info@newstar.nl  
Website : www.newstar.eu

NewStar cannot be held liable for any inaccuracies and copyrights.  
No part of this publication may be reproduced and/or published by print, photocopy, microfilm or in any other way, without prior written permission of NewStar Computer Products Europe BV.