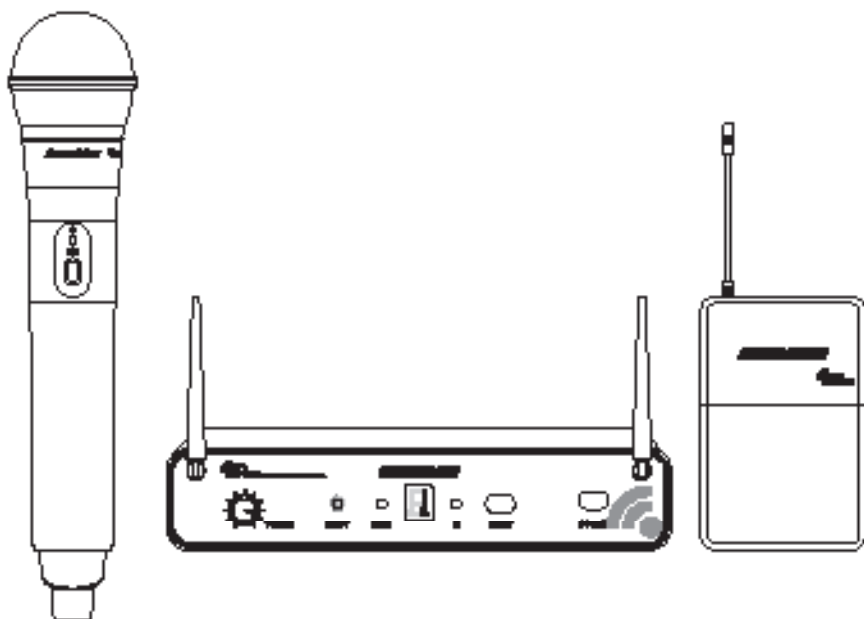


CONCERT₈₈

**16-CHANNEL TRUE DIVERSITY
UHF WIRELESS SYSTEM**



OWNER'S MANUAL

SAMSON[®]

Copyright 2015, Samson Technologies Corp.
v4.3

Samson Technologies Corp.
45 Gilpin Ave
Hauppauge, NY 11788
www.samsontech.com

Important Safety Information



**ATTENTION
RISQUE D'ÉLECTROCUTION !
NE PAS OUVRIR !**

CAUTION: TO REDUCE THE RISK OF ELECTRIC SHOCK, DO NOT REMOVE COVER (OR BACK). NO USER-SERVICEABLE PARTS INSIDE. REFER SERVICING TO QUALIFIED SERVICE PERSONNEL.



This lightning flash with arrowhead symbol within an equilateral triangle is intended to alert the user to the presence of non-insulated "dangerous voltage" within the product's enclosure that may be of sufficient magnitude to constitute a risk of electric shock.



The exclamation point within an equilateral triangle is intended to alert the user to the presence of important operating and maintenance instructions in the literature accompanying the appliance.

WARNING

TO PREVENT FIRE OR SHOCK HAZARD. DO NOT USE THIS PLUG WITH AN EXTENSION CORD, RECEPTACLE OR OTHER OUTLET UNLESS THE BLADES CAN BE FULLY INSERTED TO PREVENT BLADE EXPOSURE. TO PREVENT FIRE OR SHOCK HAZARD. DO NOT EXPOSE THIS APPLIANCE TO RAIN OR MOISTURE. TO PREVENT ELECTRICAL SHOCK, MATCH WIDE BLADE PLUG TO WIDE SLOT AND FULLY INSERT.

THIS DEVICE COMPLIES WITH PART 15 OF THE FCC RULES CLASS B. OPERATION IS SUBJECT TO THE FOLLOWING TWO CONDITIONS: (1) THIS DEVICE MUST NOT CAUSE HARMFUL INTERFERENCE, AND (2) THIS DEVICE MUST ACCEPT ANY INTERFERENCE RECEIVED INCLUDING INTERFERENCE THAT MAY CAUSE UNDESIRE OPERATION. SUITABLE FOR HOME OR OFFICE USE.



If you want to dispose this product, do not mix it with general household waste. There is a separate collection system for used electronic products in accordance with legislation that requires proper treatment, recovery and recycling.

Private household in the 28 member states of the EU, in Switzerland and Norway may return their used electronic products free of charge to designated collection facilities or to a retailer (if you purchase a similar new one).

For Countries not mentioned above, please contact your local authorities for a correct method of disposal.

By doing so you will ensure that your disposed product undergoes the necessary treatment, recovery and recycling and thus prevent potential negative effects on the environment and human health.

Important Safety Information

1. Read these instructions.
2. Keep these instructions.
3. Heed all warnings.
4. Follow all instructions.
5. Do not use this apparatus near water.
6. Clean only with dry cloth.
7. Do not block any ventilation openings. Install in accordance with the manufacturer's instructions.
8. Do not install near any heat sources such as radiators, heat registers, stoves, or other apparatus (including amplifiers) that produce heat.
9. Do not defeat the safety purpose of the polarized or grounding type plug. A polarized plug has two blades with one wider than the other. A grounding type plug has two blades and a third grounding prong. The wide blade or the third prong are provided for your safety. If the provided plug does not fit into your outlet, consult an electrician for replacement of the obsolete outlet.
10. Protect the power cord from being walked on or pinched particularly at the plugs, convenience receptacles, and at the point where they exit from the apparatus.
11. Only use attachments/accessories specified by the manufacturer.
12. Use only with the cart, stand, tripod, bracket, or table specified by the manufacturer, or sold with the apparatus. When a cart is used, use caution when moving the cart/apparatus combination to avoid injury from tip-over.
13. Unplug the apparatus during lightning storms, or when unused for long periods of time.
14. Refer all servicing to qualified personnel. Service is required when the apparatus has been damaged in any way, such as power supply cord or plug is damaged, liquid has been spilled or objects have fallen into the apparatus has been exposed to rain or moisture, does not operate normally, or has been dropped.
15. This appliance shall not be exposed to dripping or splashing water and that no object filled with liquid such as vases shall be placed on the apparatus.
16. Caution-to prevent electrical shock, match wide blade plug wide slot fully insert.
17. Please keep a good ventilation environment around the entire unit.
18. The direct plug-in adapter is used as disconnect device, the disconnect device shall remain readily operable.
19. Batteries (battery pack or batteries installed) shall not be exposed to excessive heat such as sunshine, fire or the like.



S3122A

Table of Contents

Introduction.	6
System Features.	7
System Components	7
Guided Tour - CR88 Receiver	8
Guided Tour - CB88 Belt Pack Transmitter	10
Guided Tour - CH88 Handheld Transmitter	12
Quick Start - Single System Setup	13
Quick Start - Multiple System Setup	17
Rack Mounting	19
Concert 88 Channel Plans	20
Troubleshooting	21
Specifications.	22

ENGLISH

FRANÇAIS

DEUTSCHE

ESPAÑOL

ITALIANO

Introduction

Congratulations on purchasing the Samson Concert 88 wireless system. The Concert 88 is the ideal solution for the active performer who needs a reliable, great sounding system for wireless applications. Featuring simple operation, with 16 available channels and infrared set for the transmitter channel, the Concert 88 can quickly be up and running out of the box. The Concert 88 system ensures clear, interruption-free performance by combining tone-key with auto-mute. This configuration allows only the transmitter's audio to pass through the receiver, and mutes the output if there is any interference.

The Concert 88 comes in four configurations. The vocal handheld system includes the CH88 handheld transmitter and dynamic microphone capsule. The CB88 belt pack system can be configured with either the HS5 headset microphone, LM5 lavalier microphone, or a ¼" instrument cable. For travel or permanent installation, the Concert 88 includes a standard 19" rackmount kit.

In these pages, you'll find a detailed description of the features of the Concert 88 wireless system, as well as a guided tour through its control panel, step-by-step instructions for its setup and use, and full specifications. If your wireless system was purchased in the United States, you'll also find a warranty card enclosed—don't forget to fill it out and mail it in so that you can receive online technical support and so that we can send you updated information about this and other Samson products in the future. Also, be sure to check out our website (www.samsontech.com) for complete information about our full product line.

We recommend you keep the following records for reference, as well as a copy of your sales receipt.

Receiver Serial number: _____

Transmitter Serial number: _____

Date of purchase: _____

Dealer name: _____

With proper care and maintenance, your Concert 88 wireless system will operate trouble-free for many years. Should your wireless system ever require servicing, a Return Authorization (RA) number must be obtained before shipping your unit to Samson. Without this number, the unit will not be accepted. Please call Samson at 1-800-3SAMSON (1-800-372-6766) for an RA number prior to shipping your unit. Please retain the original packing materials and, if possible, return the unit in its original carton. If your Concert 88 system was purchased outside of the United States, contact your local distributor for warranty details and service information.

System Features

- Professional wireless system for use in both live sound and sound contracting applications
- True diversity technology maximizes active range (up to 300 feet) and reduces potential interference
- 16 available channels operating in the UHF band designed for maximum system compatibility in the same location without interference
- The CR88 receiver is a half-rack unit that can be used freestanding or can be mounted in any standard 19" rack using the included rack kit, making it easy to integrate into any traveling or fixed installation audio system
- Tone-key and auto-mute ensures clear, interruption-free performance allowing only the transmitter's audio to pass through the receiver, and mutes the output if there is any interference
- Up to eight hours of battery life, using two standard AA batteries

System Components

All systems

CR88 receiver
Power Supply
¼" to ¼" audio cable
Rack Accessories Long rack ear, short rack ear, two receiver adaptor
Owner's Manual

Handheld system

CH88 handheld transmitter with dynamic microphone capsule

Headset system

CB88 belt pack transmitter
HS5 headset microphone with mini-XLR connector

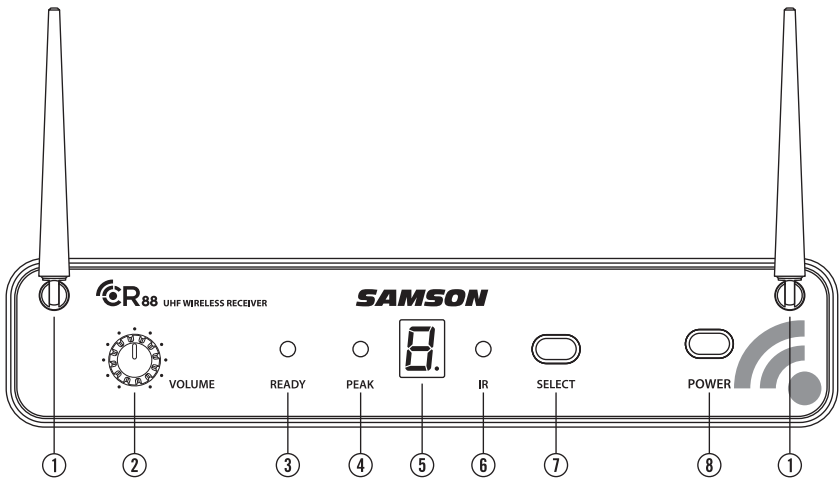
Lavalier System

CB88 belt pack transmitter
LM5 lavalier microphone with mini-XLR connector
Tie clip

Instrument System

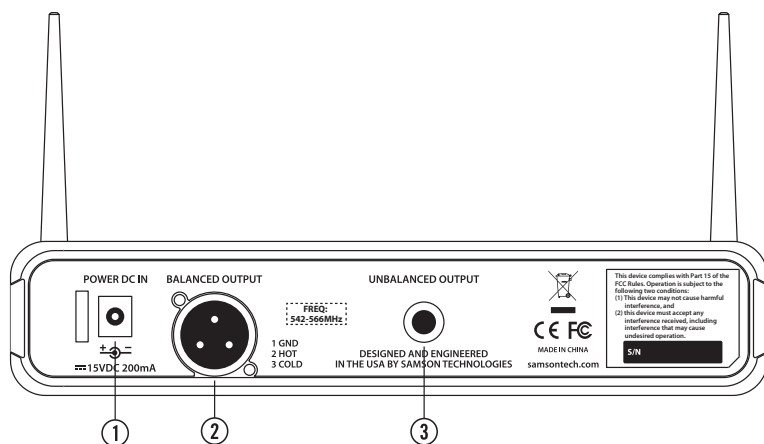
CB88 belt pack transmitter
¼" to mini-XLR instrument cable

Guided Tour - CR88 Receiver

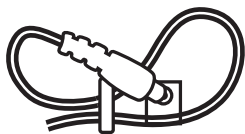


1. **Antennas** - The antenna mountings allow full rotation for optimum placement. In normal operation, both antennas should be placed in a vertical position. Both antennas can be folded inward for convenience when transporting the CR88.
2. **VOLUME Control** - This knob sets the level of the audio signal being output through both the balanced and unbalanced output jacks on the rear panel. Reference level is obtained when the knob is turned fully clockwise (to its "10" setting).
3. **READY Indicator** - This indicator lights green when the CR88 is receiving RF signal and the system is ready to use.
4. **PEAK Indicator** - This indicator lights red when the transmitted audio signal is overloaded.
5. **LED Display** - The 7-segment LED display shows the receiver's current operating channel. The CR88 channels are indicated by 0-9 and A-F.
6. **IR Transmitter** - During "IR SET" an infrared light is used to set the transmitter channel.
7. **SELECT Button** - Press this button to cycle through the receiver's operating channels. Press and hold this button to send the channel information to the transmitter via infrared transmission.
8. **POWER Switch** - Use this to turn the CR88 power on and off.

Guided Tour - CR88 Receiver

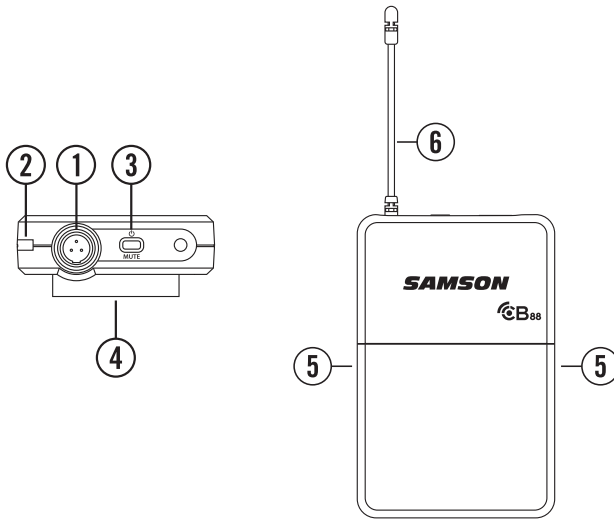


- 1. DC Input** - Connect the supplied power adapter here, using the strain relief as shown in the illustration below. **WARNING:** Do not substitute any other kind of power adapter. Doing so can cause severe damage to the CR88 and will void your warranty.
- 2. BALANCED OUTPUT** - Use this electronically balanced low impedance (600 Ohm) XLR jack when connecting the CR88 to professional (+4dBu) audio equipment. Pin wiring is as follows: Pin 1 ground, Pin 2 high (hot), and Pin 3 low (cold).
- 3. UNBALANCED OUTPUT** - Use this unbalanced high impedance (5K Ohm) 1/4" jack when connecting the CR88 to consumer (-10dBV) audio equipment. Wiring is as follows: tip hot, sleeve ground.



Using the strain relief: Gather up a loop of wire and pass it through the strain relief, then pass the adapter plug through the loop in order to create a knot.

Guided Tour - CB88 Belt Pack Transmitter

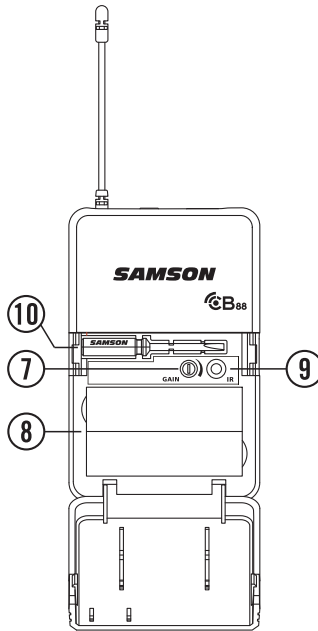


1. **Input Connector** - Connect the input device via the mini-XLR connector. The CB88 is supplied with either a lavalier, headset microphone or 1/4" instrument cable.
2. **Status Indicator** - This LED displays the operation mode:

GREEN	Normal Operation
RED	Mute
Flashing GREEN	Low Battery

3. **Power/Mute Switch** - Press and hold to turn the unit on or off. Press and release to mute or unmute the transmitter.
4. **Belt Clip** - Use this clip to fasten the CB88 transmitter to a belt or guitar strap.
5. **Battery Cover Release** - Push in both sides and pull back to open the CB88 battery cover.
6. **Antenna** - This permanently attached transmitter antenna should be fully extended during normal operation.

Guided Tour - CB88 Belt Pack Transmitter



- 7. Input GAIN Control** - This control adjusts the transmitter input sensitivity to work with microphone and instruments inputs. For optimal performance, using the included screwdriver, set the input GAIN control to where you see the CR88 PEAK indicator start to light under high levels, then turn down slowly until the PEAK light stops lighting.
- 8. Battery Holder** - Insert two standard AA (LR6) batteries here, being sure to observe the plus and minus polarity markings shown. Although rechargeable Ni-Cad batteries can be used, they do not supply adequate current for more than four hours. **WARNING:** Do not insert the batteries backwards; doing so can cause severe damage to the CB88 and will void your warranty.
- 9. IR Lens** - This window is used to capture the infrared signal sent from the CR88 during the IR SET to channelize the transmitter.
- 10. Plastic Screwdriver** - Designed for use in adjusting the CB88 input GAIN (#7) control.

Guided Tour - CH88 Handheld Transmitter

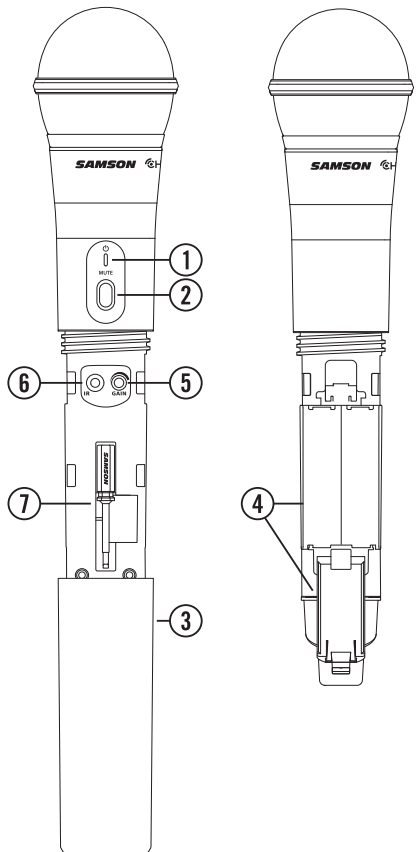
1. **Status Indicator** - This LED displays the operation mode:

GREEN	Normal Operation
RED	Mute
Flashing GREEN	Low Battery

2. **Power/Mute Switch** - Press and hold to turn the unit on or off. Press and release to mute or unmute the transmitter.
3. **Battery Cover** - Unscrew the battery cover and slide down to open the CH88 battery compartment.

4. **Battery Holder** - Open the battery holder by pressing the tab and lifting the cover. Insert two standard AA (LR6) batteries here, being sure to observe the plus and minus polarity markings shown. Although rechargeable Ni-Cad batteries can be used, they do not supply adequate current for more than four hours. **WARNING:** Do not insert the batteries backwards; doing so can cause severe damage to the CH88 and will void your warranty.

5. **Input GAIN Control** - This control adjusts the transmitter input sensitivity. For optimal performance, using the included screwdriver, set the input GAIN control to where you see the CR88 PEAK indicator start to light under high levels, then turn down until the PEAK light stops lighting.
6. **IR Lens** - This window is used to capture the infrared signal sent from the CR88 during the IR SET to channelize the transmitter. The battery cover must be open and the IR Lens facing towards the receiver to load the selected channel.
7. **Plastic Screwdriver** - Designed for use in adjusting the CB88 input GAIN control (See #5 Input GAIN Control HH).



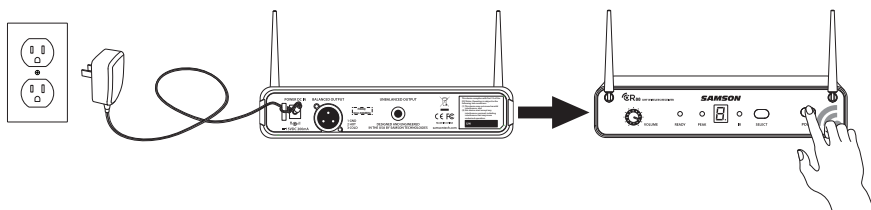
Quick Start - Single System Setup

In order for your wireless system to work correctly, both the receiver and transmitter must be set to the same channel.

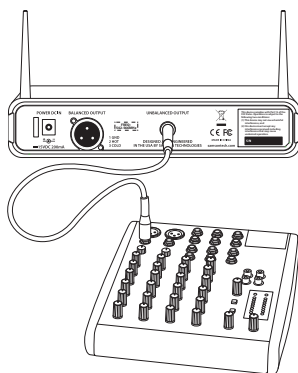
Follow this basic procedure for setting up and using your Concert 88 wireless system:

Physically place the CR88 receiver where it will be used, and extend the antennas vertically. The general rule of thumb is to maintain “line of sight” between the receiver and transmitter so that the person using or wearing the transmitter can see the receiver.

With the CR88 powered off, connect the included power adapter. Turn the CR88 on momentarily to confirm that the unit is receiving power. You’ll see the LED display light up. Then turn the CR88 power off.

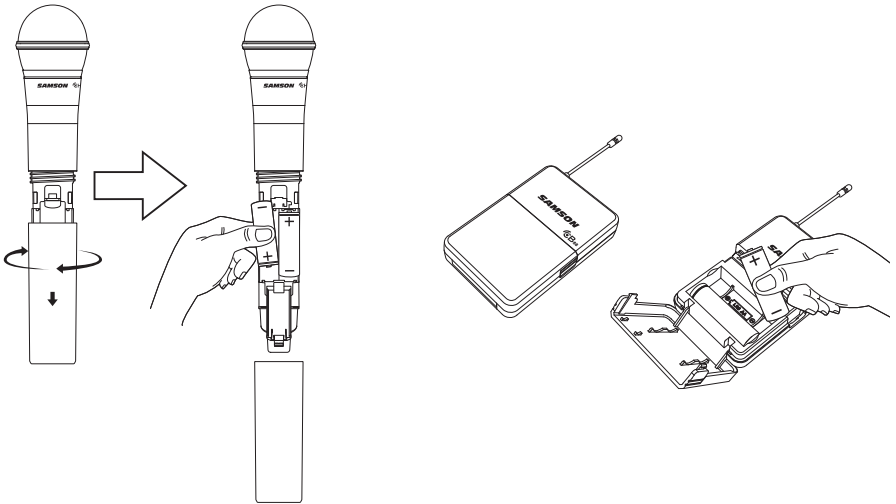


With your amplifier or mixer off and volume control all the way down, connect the CR88 receiver output jack to the mic or line level input of a mixer or amplifier using the balanced XLR output or unbalanced 1/4" line level output. Turn the Level knob on the CR88 completely counterclockwise, then turn its power on.

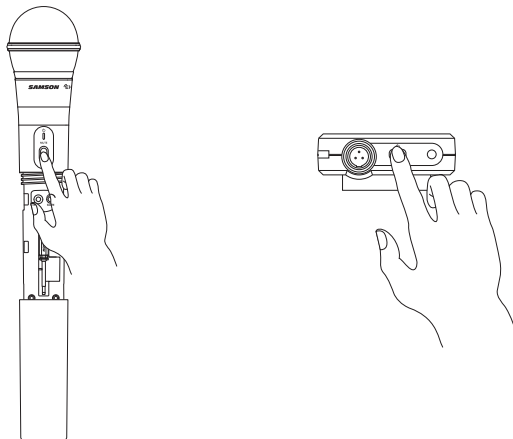


Quick Start - Single System Setup

With the transmitter powered off, install two fresh AA batteries into the CB88 belt pack or CH88 handheld transmitter. Leave the battery compartment open.

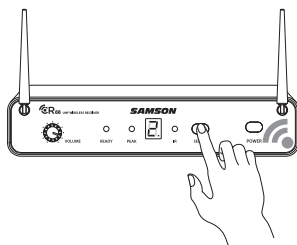


Turn on the power to the transmitter by pressing and holding Power switch; the indicator LED will light green.

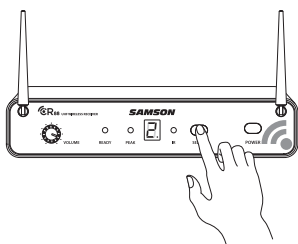


Quick Start - Single System Setup

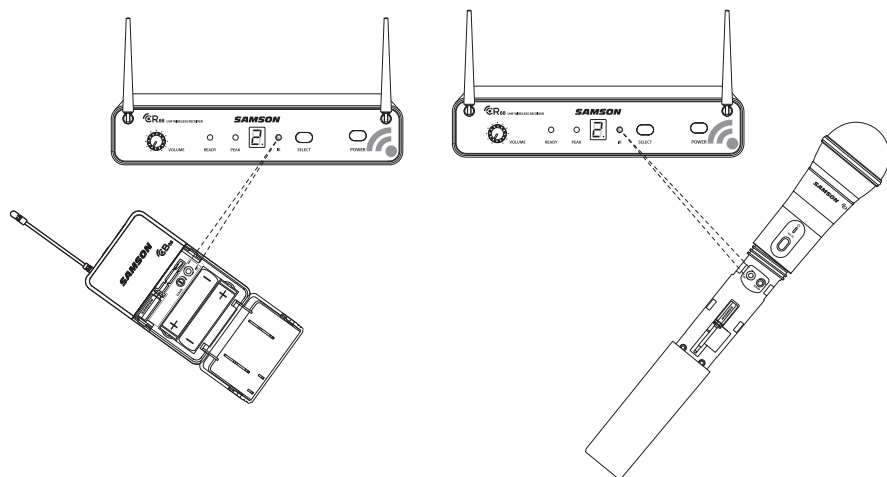
Press the SELECT button on the front of the CR88 receiver to choose an available channel. The channel number will increase by one digit, from 0-9 then A-F. Once the last channel has been reached, the count will cycle back to 0.



Position the transmitter about 6-12" (15-30 cm) from the front of the CR88 with the transmitter's IR window facing the IR transmitter on the front panel of the CR88 receiver.

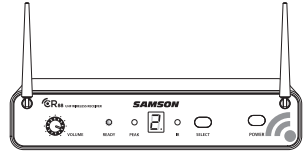


Press and hold the CR88 SELECT button to set the transmitter to the same channel as the receiver via infrared transmission

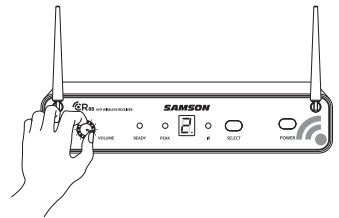


Quick Start - Single System Setup

When the transmission is complete, the CR88 will receive RF signal and the tone key from the transmitter. The READY indicator will light on the front panel of the CR88 receiver.



Turn on your connected amplifier or mixer, but keep the volume all the way down. Set the Volume knob on the CR88 fully clockwise (to its "10" setting). This is unity gain.



Speak or sing into the microphone, or if you are using the transmitter with a connected instrument, play the instrument at normal performance level. Slowly raise the volume of your amplifier or mixer until the desired level is reached.

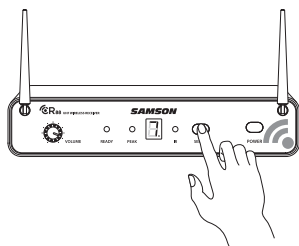
If you find the system has noticeable dropouts, reduced overall working range, or unexpected noise bursts, change the operating channel of the system using the steps above.

Quick Start - Multiple System Setup

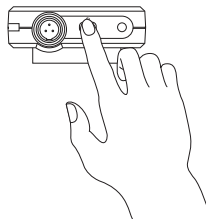
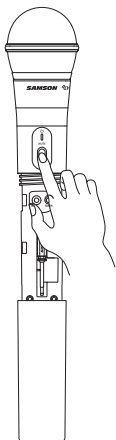
When using multiple systems, each system must be set to a different operating channel. Transmitter and receiver pairs must be on the same channel plan in order to work together (See "Concert 88 Channel Plans" on page 20).

When setting an additional transmitter, make sure to close all other transmitter battery compartments to ensure that the IR Lens is covered.

To change the operating channel of a system, press the SELECT button on the front of the CR88 receiver. The channel number will increase by one digit, from 0-9 then A-F. Once the last channel has been reached, the count will cycle back to 0.



Turn on the power to the transmitter by pressing and holding the Power switch; the indicator LED will light green.



ENGLISH

FRANÇAIS

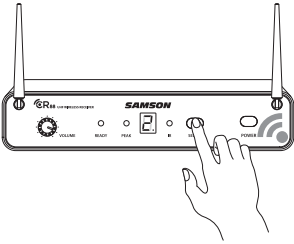
DEUTSCHE

ESPAÑOL

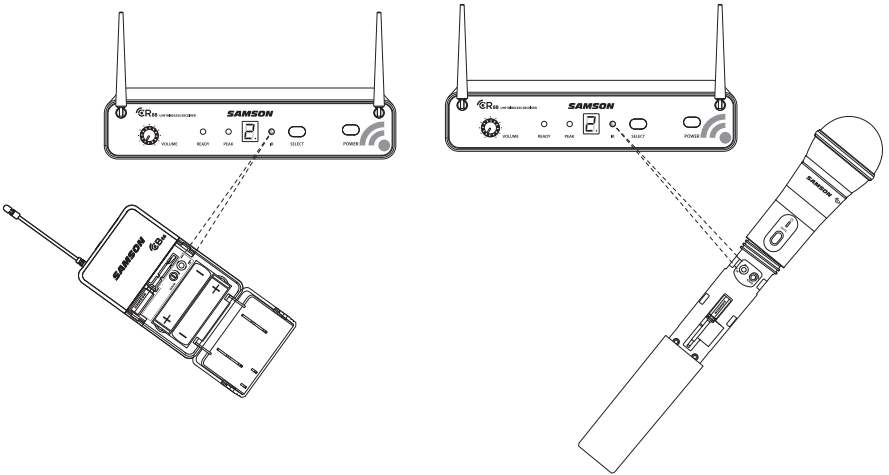
ITALIANO

Quick Start - Multiple System Setup

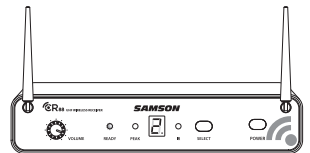
Position the transmitter about 6-12" (15-30 cm) from the front of the CR88 with the transmitter's IR window facing the receiver's IR transmitter.



Press and hold the CR88 SELECT button to synch the transmitter to the same channel as the receiver via infrared transmission.



When the transmission is complete, and the CR88 is receiving RF signal from the transmitter, the READY indicator will light on the front panel of the CR88 receiver.

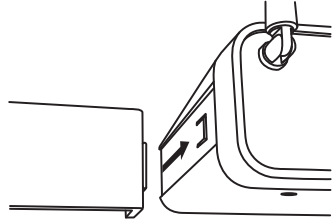


If you find the system has noticeable dropouts, reduced overall working range, or unexpected noise bursts, change the operating channel of the system using the steps above.

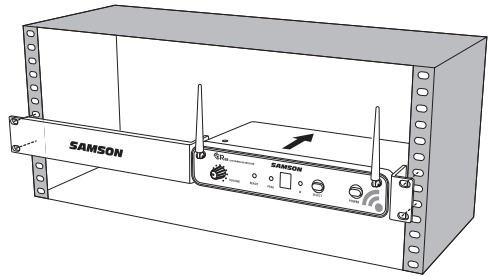
Rack Mounting

The CR88 receiver can be installed into a standard 19" rack for transport or permanent installation using the included rack ears. Follow the simple steps below to mount the CR88:

Attach the included rack ears by sliding each rack ear into the groove on either side of the CR88 until they lock into place, and the receiver flush with the front panel.

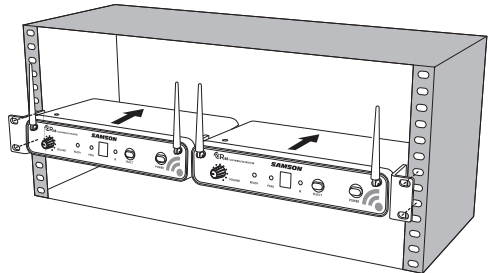


Position the CR88 receiver into an available rack space and slide in until the rack ears are touching the rails of the rack case and are aligned with the rack rail holes.



Mount the receiver into the rack using the appropriate size rack screws (not included). To ensure equal tension and balance when installing the receiver, you should secure screws in a crisscross pattern of opposite corners: top left -> bottom right -> top right -> bottom left.

In order to mount two CR88 receivers in one rack space, the system includes a center connection piece. Slide the center connection piece into the groove of each receiver and attach the short rack ears to each receiver. Mount the receivers into the rack using the crisscross pattern described above.



Concert 88 Channel Plans

Group A*		Group B*		Group C		Group D		Group F*		Group G*	
925-938 MHz		806-809 MHz		638-662 MHz		542-566 MHz		606-630 MHz		863-865 MHz	
Ch	Freq	Ch	Freq	Ch	Freq	Ch	Freq	Ch	Freq	Ch	Freq
0	925.125	0	806.125	0	638.125	0	542.125	0	606.125	0	863.050
1	925.850	1	806.375	1	639.625	1	543.625	1	607.625	1	863.250
2	926.575	2	807.125	2	641.050	2	545.05	2	609.05	2	863.550
3	927.300	3	807.750	3	642.425	3	546.425	3	610.425	3	863.750
4	928.025	4	809.000	4	642.900	4	546.900	4	610.900	4	864.050
5	928.750	5	809.500	5	645.525	5	549.525	5	613.525	5	864.250
6	929.475	6	806.250	6	647.100	6	551.100	6	615.100	6	864.550
7	930.200	7	806.500	7	648.475	7	552.475	7	616.475	7	864.750
8	932.300	8	807.000	8	650.000	8	554.000	8	618.000	8	864.950
9	933.000	9	807.875	9	652.075	9	556.075	9	620.075		
A	933.725	A	808.500	A	654.975	A	558.975	A	622.975		
B	934.450	B	808.875	B	655.975	B	559.975	B	623.975		
C	935.175	C	806.625	C	657.050	C	561.050	C	625.050		
D	935.900	D	806.875	D	658.975	D	562.975	D	626.975		
E	936.625	E	807.375	E	660.425	E	564.425	E	628.425		
F	937.350	F	808.25	F	661.975	F	565.975	F	629.975		

* Not for use in the USA and Canada. For questions regarding available channels in your area contact your local Samson distributor.

Troubleshooting

Issue	Solutions
No Audio	Make sure that the transmitter and receiver are both powered on.
	Ensure the transmitter's batteries are installed correctly.
	Check that the transmitter is not muted.
	Confirm that the CR88 adaptor is correctly connected and plugged into an electrical outlet.
	Turn on the CR88 receiver.
	Make sure the CR88 audio output connections are securely connected.
	Ensure that the receiver and transmitter are in line of sight with one another.
	Check the receiver and audio input device level controls.
	Ensure that the transmitter and receiver are set to the same operating channel. If unsure, reset the channel by performing an IR set.
Distorted Audio	The receiver output level or audio input device level may be too high.
	Check the transmitters batteries, and replace if low.
	The input gain on the transmitter (CB88) or audio source level may be too high.
Audio Dropout	The transmitter may be too far away from the receiver. Move it closer to the receiver, or reposition the antennas.
	Remove any sources that may cause RF interference such as cell phones, cordless phones, lighting equipment, computers, metal structures, etc.
Receiver will not power on	Check the adaptor to ensure it is properly connected and plugged into an outlet providing power.
Transmitter will not power on (LED lights RED)	Replace the transmitter batteries.
Unwanted noise or interference	If using multiple systems, make sure none of the systems are operating on the same channel. If the problem persists, change one or all of the systems channels.

Specifications

System

Working Range	300' (100m) line of sight
Audio Frequency Response	50 Hz - 15 kHz
T.H.D. (Overall)	<1% (@AF 1 kHz, RF 46 dBu)
Dynamic Range	>100 dB A-weighted
Signal to Noise	>90 dB
Operating Temperature	-10°C (14°F) to +60°C (+140°F)
Tone Key Frequency	32.768 kHz

CB88 Belt pack Transmitter

Input Connector	Mini-XLR (P3)
Input Impedance	1M Ω
Input Gain Range	38 dB
RF Power	10 mW EIRP
Power Requirements	Two AA (LR6) alkaline batteries
Battery Life	8 hours
Dimensions (HxLxD)	3.75" x 2.44" x 0.75" 96mm x 62mm x 18.5mm
Weight	0.2 lb / 93 g

CH88 Handheld Transmitter

Microphone Element	Dynamic
Input Gain Range	28 dB
RF Power	10 mW EIRP
Power Requirements	Two AA (LR6) alkaline batteries
Battery Life	8 hours
Dimensions (Hx \emptyset)	10.23" x 2.1" 260mm x 54mm
Weight	0.48 lb / 218 g

CR88 Receiver

Audio Output Level - Unbalanced	+14 dBu
Audio Output Level - Balanced	+9 dBu
Audio Output Impedance - Unbalanced	810 Ohms
Audio Output Impedance - Balanced	240 Ohms
Sensitivity	-100 dBm / 30 dB sinad
Image Rejection	>50 dB
Operating Voltage	15 VDC 200mA
Dimensions (LxWxH)	8.25" x 4.9" x 1.75" 210mm x 125mm x 44mm
Weight	0.85 lb / 388 g

At Samson, we are continually improving our products, therefore specifications and images are subject to change without notice.

FCC Rules and Regulations

Samson wireless receivers are certified under FCC Rules part 15 and transmitters are certified under FCC Rules part 74.

Licensing of Samson equipment is the user's responsibility and licensability depends on the user's classification, application and frequency selected.

NOTE: This equipment has been tested and found to comply with the limits for a Class B digital device, pursuant to Part 15 of the FCC Rules. These limits are designed to provide reasonable protection against harmful interference in a residential installation. This equipment generates, uses and can radiate radio frequency energy and, if not installed and used in accordance with the instructions, may cause harmful interference to radio communications. However, there is no guarantee that interference will not occur in a particular installation. If this equipment does cause harmful interference to radio or television reception, which can be determined by turning the equipment off and on, the user is encouraged to try to correct the interference by one or more of the following measures:

- Reorient or relocate the receiving antenna.
- Increase the separation between the equipment and receiver.
- Connect the equipment into an outlet on a circuit different from that to which the receiver is connected.
- Consult the dealer or an experienced Radio/TV technician for help.

WARNING: Changes or modifications not expressly approved by the party responsible for compliance could void the user's authority to operate the equipment.

This device complies with RSS-210 of Industry & Science Canada.

Operation is subject to the following two conditions:

(1) this device may not cause harmful interference and (2) this device must accept any interference received, including interference that may cause undesired operation.

This equipment is intended for use in wireless microphone applications.

Equipment is intended for sale in: AT, BE, CH, CY, CZ*, DK, EE, FI*, FR*, DE*, GR*, HU, IE, IS, IT, LV, LT*, LU, MT*, NL, NO*, PL* PT, RO, SK, SI, ES, SE, UK

*Subject to license. Please contact your national frequency authority for information on available legal use in your area. Any changes or modifications not expressly approved by Samson Technologies Corp. could void your authority to operate the equipment.

Hereby, Samson Technologies Corp., declares that this CR88, CH88, CB88 is in compliance with the essential requirements and other relevant provisions of Directive 1999/5/EC. The declaration of conformity may be consulted at

http://www.samsontech.com/site_media/support/manuals/Concert_88_DOC.pdf

C €1797 Ⓢ

Consignes de sécurité importantes



ATTENTION RISQUE D'ÉLECTROCUTION ! NE PAS OUVRIR !

ATTENTION : POUR ÉVITER TOUT RISQUE D'ÉLECTROCUTION, N'ÔTEZ PAS LE COUVERCLE (NI LE DOS) DU BOITIER. CET APPAREIL NE CONTIENT AUCUNE PIÈCE REMPLAÇABLE PAR L'UTILISATEUR. CONFIEZ TOUTES LES RÉPARATIONS À DU PERSONNEL QUALIFIÉ.



Le signe avec un éclair dans un triangle prévient l'utilisateur de la présence d'une tension dangereuse et non isolée dans l'appareil. Cette tension constitue un risque d'électrocution.



Le signe avec un point d'exclamation dans un triangle prévient l'utilisateur d'instructions importantes relatives à l'utilisation et à la maintenance du produit.

AVERTISSEMENT

POUR ÉVITER LES RISQUES D'INCENDIE OU DE DÉCHARGE ÉLECTRIQUE, NE PAS UTILISER CETTE PRISE DE COURANT AVEC UN FIL D'EXTENSION ; PRISE DE CONTACT OU ADDITIONNEZ L'AUTRE SORTIE SAUF QUE LES TRANCHANTS PEUVENT ÊTRE COMPLÈTEMENT INSÉRÉS POUR PRÉVENIR L'EXPOSITION DE TRANCHANT. POUR ÉVITER LES RISQUES D'INCENDIE OU DE DÉCHARGE ÉLECTRIQUE, N'EXPOSEZ PAS CET APPAREIL À LA PLUIE OU L'HUMIDITÉ POUR PRÉVENIR LES CHOC ÉLECTRIQUES, N'INSÉREZ LA LAME LARGE DE LA FICHE QUE DANS LA FENTE DE LARGE DE LA PRISE.

CET APPAREIL EST CONFORME À LA PARTIE 15 DU RÈGLEMENT DE LA FCC, CLASSE B. LE FONCTIONNEMENT EST SOUMIS AUX DEUX CONDITIONS SUIVANTES : (1) CET APPAREIL NE PEUT CAUSER D'INTERFÉRENCES NUISIBLES ET (2) IL DOIT ACCEPTER TOUTE INTERFÉRENCE REÇUE, NOTAMMENT CELLES POUVANT ENTRAÎNER UN DYSFONCTIONNEMENT. IDÉAL POUR TOUTE UTILISATION AU BUREAU OU À DOMICILE.



Si vous souhaitez éliminer ce produit, ne le mettez pas aux ordures ménagères. Le ramassage des équipements électroniques se fait séparément pour assurer le recyclage correct de ces équipements.

Les ménages résidant dans les 28 Etats membres de l'U.E., en Suisse et en Norvège peuvent retourner gratuitement leurs appareils électroniques usagés aux déchetteries agréées ou à un commerçant (en cas d'achat d'un appareil neuf similaire).

Pour les pays non cités, n'hésitez pas à contacter votre collectivité locale pour vous renseigner sur le mode d'élimination en vigueur.

En agissant ainsi, vous serez assuré que votre appareil sera traité, récupéré et recyclé dans les règles, prévenant ainsi les effets néfastes potentiels sur l'environnement et la santé humaine.

Consignes de sécurité importantes

1. Lisez ces instructions.
2. Conservez ces instructions.
3. Respectez tous les avertissements.
4. Suivez les instructions..
5. N'utilisez pas cet appareil à proximité d'un point d'eau.
6. Nettoyez-le avec un chiffon sec.
7. N'obstruez en aucun cas les orifices d'aération. Installez en respectant les consignes du fabricant.
8. Ne l'installez pas à proximité d'une source de chaleur telle qu'un radiateur, une bouche de chaleur, un poêle ou d'autres appareils (dont les amplificateurs) produisant de la chaleur.
9. Ne détériorez pas la sécurité de la fiche polarisée ou de la fiche de terre. Une prise polarisée est composée de deux fiches dont l'une est plus large que l'autre. Une fiche de terre comporte deux lames et une troisième broche de mise à la terre. La lame la plus large ou la troisième broche assure la sécurité de l'utilisateur. Si la prise de l'appareil ne rentre pas dans la prise d'alimentation secteur de votre installation, veuillez consulter un électricien agréé pour le remplacement de la prise secteur.
10. Placez le cordon d'alimentation de sorte qu'il ne soit ni piétiné ni comprimé, en particulier au niveau de la fiche de connexion, de la prise de courant et du point de sortie de l'appareil.
11. Utilisez uniquement les accessoires et le matériel de fixation recommandés par le fabricant.
12. Utilisez uniquement le chariot, le pied, le trépied, le support ou la table recommandé par le fabricant ou fourni avec l'appareil. Lors de l'utilisation d'un chariot, veuillez faire attention lors du déplacement de l'ensemble chariot/appareil afin d'éviter toute blessure en cas de renversement.
13. Débranchez cet appareil pendant les orages ou au cours des périodes de non-utilisation prolongée.
14. Faites effectuer toutes les réparations nécessaires par du personnel qualifié. Des réparations sont nécessaires si l'appareil est endommagé d'une façon quelconque, par exemple : cordon ou prise d'alimentation endommagé, liquide renversé ou objet tombé à l'intérieur de l'appareil, exposition de l'appareil à la pluie ou à l'humidité, appareil qui ne marche pas normalement ou que l'on a fait tomber.
15. Cet appareil ne doit pas être exposé à des éclaboussures ou des gouttes d'eau et aucun objet rempli de liquide comme un vase ne doit se trouver à proximité.
16. Attention - Pour prévenir les chocs électriques, n'insérez la lame large de la fiche que dans la fente large de la prise.
17. Veillez à ce que la zone autour de l'unité soit bien aérée.
18. L'adaptateur à tête enfichable est utilisé comme dispositif de débranchement et doit toujours être prêt à fonctionner.
19. Les batteries (module batterie ou piles en place) ne doivent pas être exposées à une chaleur excessive telle que celle du soleil, d'un feu ou d'une source similaire.



531204

Table des matières

Introduction.27
Caractéristiques du système28
Composants du système28
Visite guidée du Récepteur CR8829
Visite guidée - Emetteur CB88 à porter à la ceinture.31
Visite guidée - Emetteur portatif CH8833
Configuration rapide - Installation d'un seul système34
Configuration rapide - Installation de plusieurs systèmes.38
Montage sur baie40
Plans de fréquences du Concert 88.41
Dépannage42
Spécifications.43

Introduction

Merci d'avoir choisi ce système sans fil Samson Concert 88. Le Concert 88 est la solution idéale pour l'artiste actif à la recherche d'un système de sonorisation fiable pour les applications sans fil. D'un fonctionnement simple, disposant de 16 voies et d'un groupe à infrarouges pour le canal de l'émetteur, le Concert 88 est très vite prêt-à-l'emploi à la sortie de son emballage. Le système Concert 88 garantit une audition limpide ininterrompue en associant la touche Tone à la fonction Auto-mute (Mise en sourdine automatique). Cette configuration permet de ne faire passer que le son de l'émetteur par le récepteur, en coupant la sortie à la moindre interférence.

Le système Concert 88 se présente en quatre configurations. Le système vocal portable comprend l'émetteur portable CH88 et la capsule de micro dynamique . Le système de ceinture CB88 peut être configuré avec le micro-casque HS5, le micro-cravate LM5, ou un câble instrument à jack standard ¼". Que ce soit pour une sonorisation mobile ou fixe, le Concert 88 comporte un kit sur bâti standard 19".

Dans ces pages, vous trouverez une présentation détaillée des caractéristiques du système sans fil Concert 88, une présentation du panneau de commande, les notices d'installation et d'utilisation, ainsi que les caractéristiques techniques. Si vous avez acheté votre micro aux Etats-Unis, vous trouverez une carte de garantie — n'oubliez pas de la remplir et de la renvoyer pour bénéficier de l'assistance technique en ligne et recevoir les informations sur les produits Samson. Pensez également à consulter notre site Internet (www.samsontech.com) pour obtenir des informations détaillées sur toute notre gamme de produits.

Nous vous recommandons de garder les références suivantes pour vous y reporter ultérieurement ainsi qu'une copie de votre preuve d'achat.

Numéro de série du récepteur : _____

Numéro de série de l'émetteur : _____

Date d'achat : _____

Nom du revendeur : _____

Avec un entretien adapté, votre système sans fil Concert 88 vous donnera satisfaction pendant de

nombreuses années. Pour faire réparer votre système sans fil, vous devez tout d'abord obtenir un numéro de retour (RA) auprès de Samson. Sans ce numéro, l'appareil ne sera pas accepté. Appelez Samson au 1-800-3SAMSON (1-800-372-6766) pour obtenir ce numéro avant de renvoyer votre appareil. Conservez, si possible, l'emballage d'origine afin de l'utiliser en cas de retour. Si vous avez acheté votre système Concert 88 ailleurs qu'aux Etats-Unis, contactez votre distributeur pour obtenir les détails sur la garantie et le service après vente.

Caractéristiques du système

- Ce système sans fil professionnel trouvera une application aussi bien dans la sonorisation de salles de concerts improvisées que dans la sonorisation professionnelle.
- La technologie True Diversity maximise la gamme active (jusqu'à 300 pieds ou 90 m) et atténue les interférences potentielles
- 16 canaux disponibles fonctionnant dans la bande UHF, conçue pour le maximum de compatibilité du système au même endroit sans interférences
- Le récepteur du CR88 est une unité demi-rack qui peut s'utiliser sur pied ou s'intégrer à n'importe quel rack standard de 19" au moyen du kit rack fourni, facilitant son intégration à n'importe quel système audio, qu'il s'agisse d'une installation mobile ou d'une installation fixe.
- La touche Tone et la fonction Auto-mute garantit une audition limpide ininterrompue en ne faisant passer que le son de l'émetteur par le récepteur et en coupant la sortie à la moindre interférence.
- Portée : jusqu'à 90 mètres (en ligne droite sans obstacle)
- Autonomie : jusqu'à huit heures, avec deux piles AA standard

Composants du système

Tous systèmes

Récepteur du CR88

Alimentation

Câble audio de ¼" à ¼"

Accessoires pour Rack : patte longue pour rack, patte courte pour rack, adaptateur 2 récepteurs

Guide d'utilisation

Système portable

Emetteur portable CH88 à capsule de micro dynamique

Système micro-casque

Emetteur à clip de ceinture CB88

Micro-casque HS5 à connecteur mini-XLR

Système micro-cravate

Emetteur à clip de ceinture CB88

Micro-cravate LM5 à connecteur mini-XLR

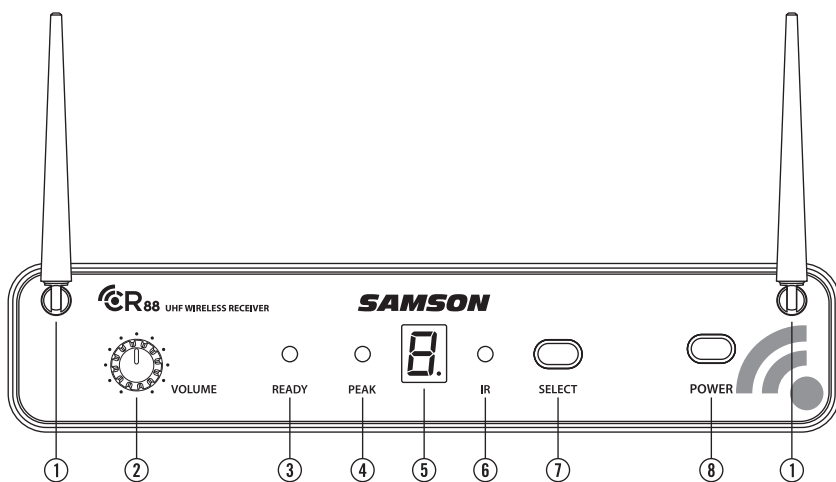
Clip de cravate

Système pour instrument

Emetteur à clip de ceinture CB88

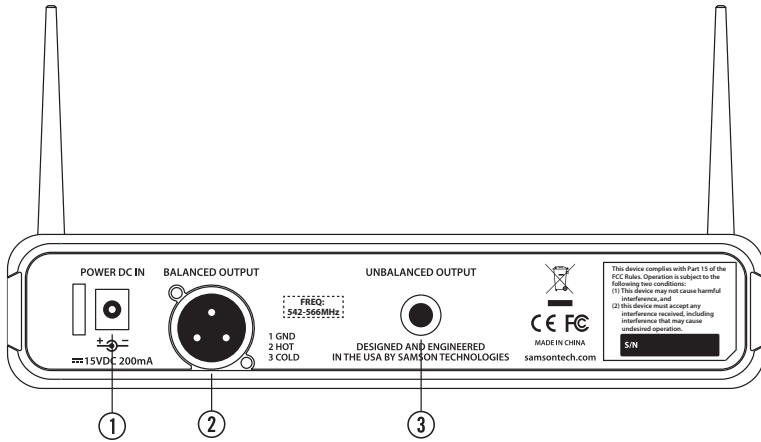
Jack ¼" vers câble pour instrument à mini-XLR

Visite guidée du Récepteur CR88

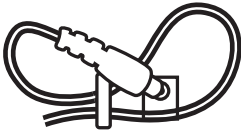


- 1. Antennes** - Les embases d'antennes permettent leur rotation complète pour un positionnement optimum. En utilisation normale, les deux antennes devront être verticales. Les deux antennes peuvent être rabattues vers l'intérieur pour faciliter le transport du CR88.
- 2. VOLUME** - Tournez le bouton pour régler le niveau de sortie du signal audio par les jacks de sortie symétriques et asymétriques situés sur le panneau arrière. Le niveau de référence s'obtient en tournant le bouton à fond dans le sens horaire (sur "10").
- 3. Témoin READY** - Ce témoin s'allume en vert lorsque le CR88 reçoit un signal HF et que le système est prêt-à-l'emploi.
- 4. Témoin PEAK** - Ce témoin s'allume en rouge lorsque le signal audio émis est saturé.
- 5. Afficheur LED** - L'afficheur à 7 segments LED indique le canal en fonctionnement actuel du récepteur. Les canaux du CR88 sont indiqués par les chiffres de 0 à 9 et les lettres de A à F.
- 6. Emetteur par IR** - Pendant la phase "IR SET", une lumière infrarouge sert à régler le canal émetteur.
- 7. Bouton SELECT** - Appuyez sur ce bouton pour faire défiler les canaux en service du récepteur. Maintenez ce bouton enfoncé pour envoyer les informations relatives au canal à l'émetteur par transmission infrarouge.
- 8. Interrupteur MARCHÉ/ARRET** - Appuyez pour mettre le CR88 sous/hors tension.

Visite guidée du Récepteur CR88

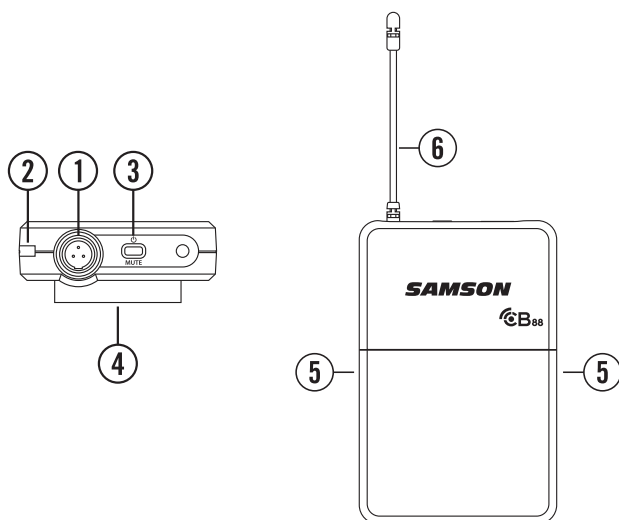


- 1. Embase DC** - Branchez ici l'adaptateur joint à la livraison en vous servant du collier de serrage, comme indiqué sur l'illustration ci-dessous. **AVERTISSEMENT** Ne le remplacez par aucun autre modèle d'adaptateur. Ceci endommagerait gravement le CR88 et annulerait la garantie.
- 2. SORTIE SYMETRIQUE** - Utilisez ce jack XLR de faible impédance (600 Ohm) symétrique électronique en reliant le CR88 à un équipement audio professionnel (à +4 dBu). Le câblage des broches est le suivant : Broche 1 terre, Broche 2 positif (+), et Broche 3 négatif (-).
- 3. SORTIE DISSYMETRIQUE** - Utilisez ce jack XLR dissymétrique 1/4" à haute impédance (5 k-ohm) en reliant le CR88 à un équipement audio grand public (à -10 dBV). Le câblage s'effectue de la façon suivante : pointe +, tige masse.



Pour utiliser le passe-câble : formez une boucle de fil et faites-la passer par le passe-câble, puis faites passer la fiche mâle de l'adaptateur par la boucle pour obtenir un noeud.

Visite guidée - Emetteur CB88 à porter à la ceinture

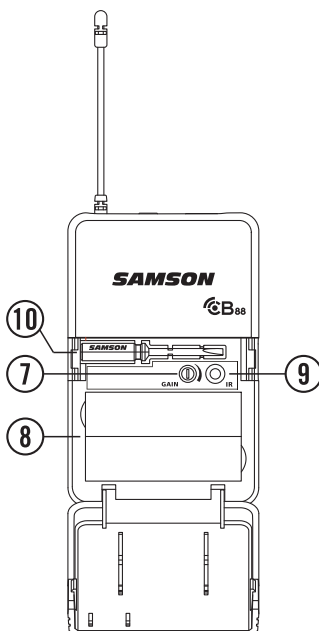


1. **Connecteur d'entrée** - Relier le dispositif d'entrée via le connecteur mini-XLR. Le CB88 est livré accompagné soit d'un micro-cravate, soit d'un micro-casque ou d'un câble à instruments ¼".
2. **Témoin d'état** - Ce témoin LED indique le mode de fonctionnement :

VERT	Fonctionnement normal
ROUGE	Son coupé
VERT clignotant	Batterie faible

3. **Interrupteur Marche-Arrêt/Coupure** - Appuyez et maintenez enfoncé pour mettre l'appareil en marche/à l'arrêt. Appuyez et relâchez pour couper ou rétablir le son de l'émetteur.
4. **Clip de ceinture** - Utilisez ce clip pour accrocher l'émetteur CB88 à la ceinture ou à une lanière de guitare..
5. **Pour ouvrir le cache de batterie** - Appuyez des deux côtés, puis tirez pour ouvrir le cache de batterie.
6. **Antenne** - Cette antenne d'émetteur fixée en permanence devra être sortie à fond en utilisation normale.

Visite guidée - Emetteur CB88 à porter à la ceinture



- 7. Réglage du GAIN à l'entrée** - Ce réglage permet d'ajuster la sensibilité à l'entrée de l'émetteur pour fonctionner avec les entrées du micro et des instruments. Pour des performances optimales, à l'aide du tournevis ci-joint, positionnez le réglage du GAIN à l'entrée là où vous voyez le témoin PEAK du CR88 se mettre à s'allumer à des niveaux suffisamment élevés, puis réduisez lentement jusqu'à ce que le témoin PEAK s'éteigne.
- 8. Support de piles (batteries)** - Introduisez deux piles AA (LR6) standard ici en respectant bien les pôles + et - indiqués. Bien que vous puissiez utiliser des accumulateurs rechargeables au Ni-Cad, ceux-ci ne fonctionnent que pendant 4 heures. **AVERTISSEMENT** Veillez à ne pas insérer les piles à l'envers ; ceci endommagerait sérieusement le CB88 et annulerait la garantie.
- 9. Lentille infra-rouge** - Cette fenêtre sert à capter le signal infrarouge émis par le CR88 pendant le REGLAGE IR pour découper l'émetteur en canaux.
- 10. Tournevis en plastique** - Conçu pour servir à ajuster le réglage du GAIN (#7) à l'entrée du CB88.

Visite guidée - Emetteur portatif CH88

1. **Témoin d'état** - Ce témoin LED indique le mode de fonctionnement :

VERT	Fonctionnement normal
ROUGE	Son coupé
VERT clignotant	Batterie faible

2. **Interrupteur Marche-Arrêt/Coupure** - Appuyez et maintenez enfoncé pour mettre l'appareil en marche/à l'arrêt. Appuyez et relâchez pour couper ou rétablir le son de l'émetteur.

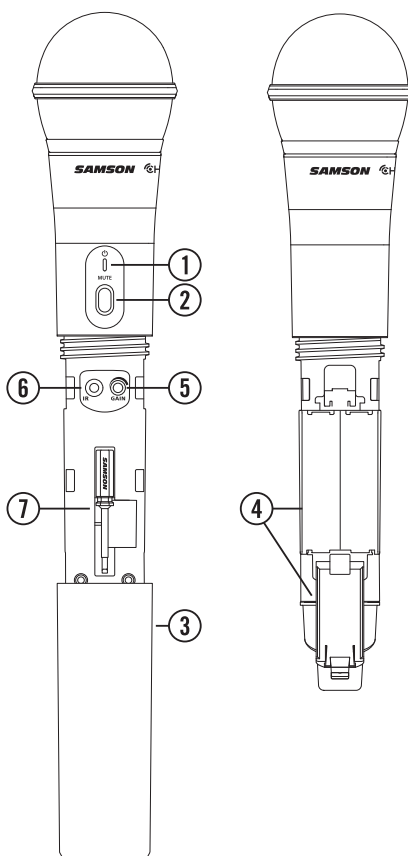
3. **Cache du logement à piles** - Dévissez le cache du logement à piles, puis découpez le logement à piles du CH88.

4. **Boîtier à piles** - Ouvrez le boîtier à piles en appuyant sur la languette et en soulevant le couvercle. Introduisez deux piles AA (LR6) standard ici en respectant bien la polarité +/- indiquée. Bien que vous puissiez utiliser des accumulateurs rechargeables au Ni-Cad, ceux-ci ne fonctionnent que pendant 4 heures. **AVERTISSEMENT** Veillez à ne pas insérer les piles à l'envers ; ceci endommagerait sérieusement le CH88 et annulerait la garantie.

5. **Réglage du GAIN à l'entrée** - Ce réglage permet d'ajuster la sensibilité à l'entrée de l'émetteur. Pour des performances optimales, à l'aide du tournevis ci-joint, positionnez le réglage du GAIN à l'entrée là où vous voyez le témoin PEAK du CR88 s'allumer à des niveaux suffisamment élevés, puis réduisez lentement jusqu'à ce que le témoin PEAK s'éteigne.

6. **Lentille infra-rouge** - Cette fenêtre sert à capter le signal infra-rouge émis par le CR88 pendant le REGLAGE IR pour découper l'émetteur en canaux. Le cache du logement à piles doit être ouvert et la Lentille infra-rouge doit être tournée vers le récepteur pour sélectionner le canal sélectionné.

7. **Tournevis en plastique** - Conçu pour servir à ajuster le réglage du GAIN à l'entrée du CB88 (voir #5 Réglage du GAIN à l'Entrée HH).



ENGLISH

FRANÇAIS

DEUTSCHE

ESPAÑOL

ITALIANO

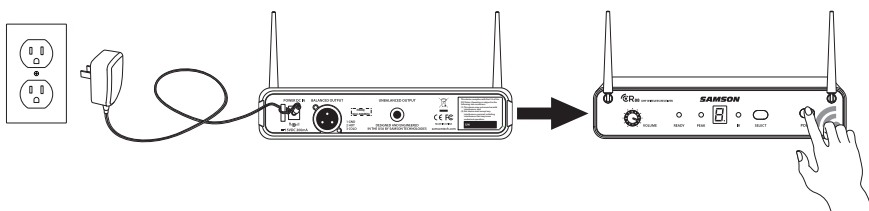
Configuration rapide - Installation d'un seul système

Pour que votre système sans fil fonctionne bien, le récepteur et l'émetteur doivent tous les deux être réglés sur le même canal.

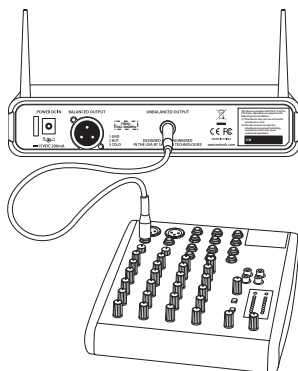
Procédez comme suit pour installer et utiliser votre système sans fil Concert 88 :

Disposez physiquement le récepteur du CR88 là où il sera utilisé, puis sortez les antennes à la verticale. Pensez à conserver une ligne de mire directe sans obstacle entre le récepteur et l'émetteur, c'est-à-dire que le porteur de l'émetteur doit voir le récepteur.

L'interrupteur général étant sur Marche et le CR88 sur Arrêt, branchez l'adaptateur joint à la livraison. Mettez momentanément en marche le CR88 pour vérifier que l'appareil reçoit bien du courant. Vous verrez l'afficheur LED s'allumer. Ensuite, mettez le CR88 sur Arrêt.

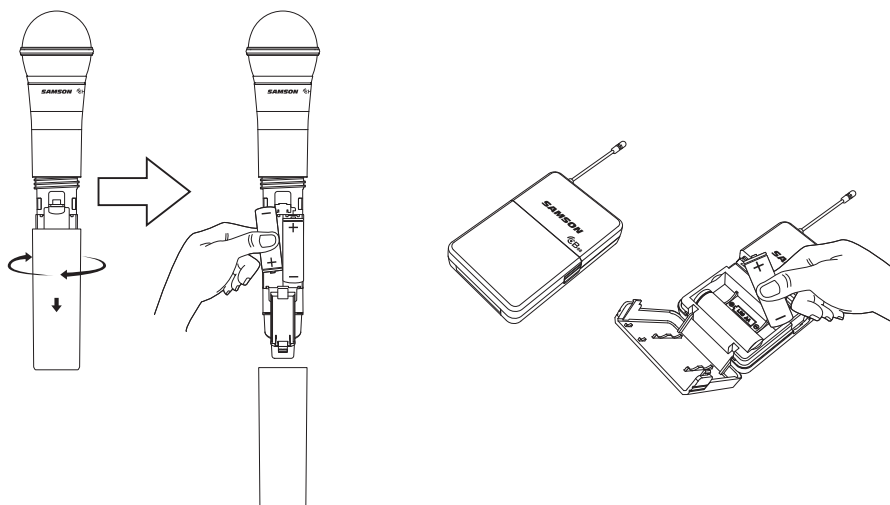


L'amplificateur ou la console de mixage étant hors tension et le volume réglé au minimum, reliez le jack de sortie du récepteur CR88 à l'entrée de niveau mic ou line d'une console de mixage ou d'un amplificateur à l'aide de la sortie XLR symétrique ou de la sortie de niveau LINE 1/4" asymétrique. Tournez à fond en sens horaire le bouton de Niveau du CR88, puis mettez-le sous tension.

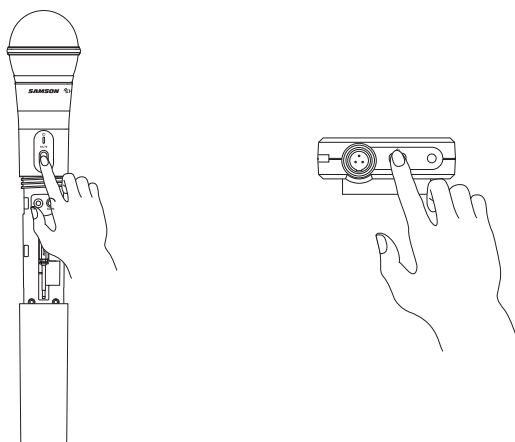


Configuration rapide - Installation d'un seul système

L'émetteur étant hors tension, mettez en place deux piles AA neuves dans le clip de ceinture CB88 ou dans l'émetteur portable CH88. Laissez le logement à piles ouvert.

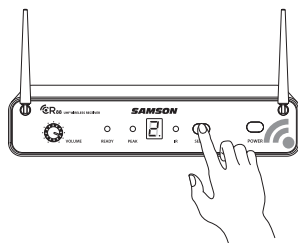


Mettez l'émetteur sous tension (Marche) en maintenant l'interrupteur Power (Marche/Arrêt) enfoncé ; le témoin LED s'allumera en vert.

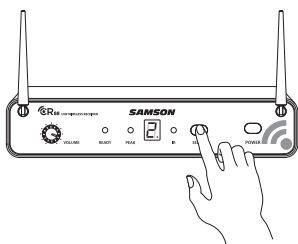


Configuration rapide - Installation d'un seul système

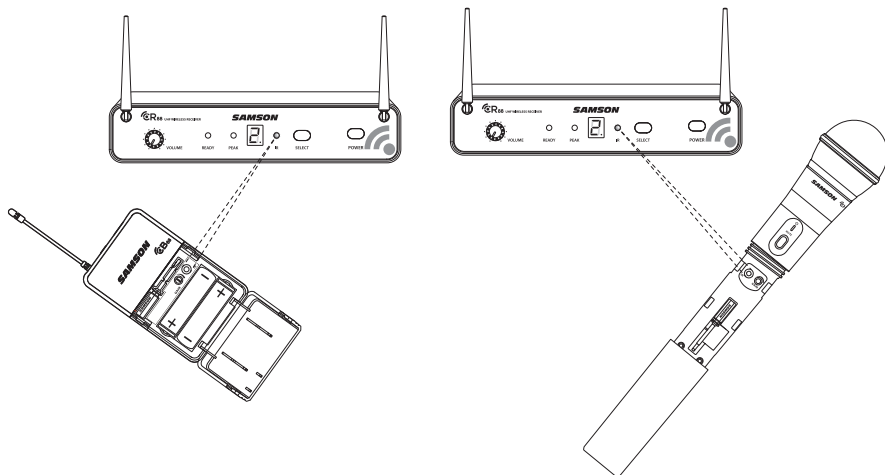
Appuyez sur le bouton SELECT situé à l'avant du récepteur CR88 pour choisir un canal disponible. Le numéro du canal augmentera de un, de 0 à 9 puis de A à F. Une fois parvenu au dernier canal, le sens de comptage s'inversera pour revenir à 0.



Positionnez l'émetteur à environ 6 à 12" (15 à 30 cm) de la face avant du CR88, la fenêtre infra-rouge de l'émetteur étant tournée vers l'émetteur infra-rouge situé sur la face avant du récepteur CR88.

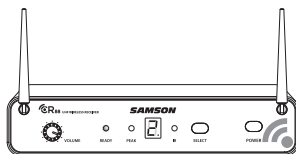


Maintenez le bouton SELECT du CR88 enfoncé pour régler l'émetteur sur le même canal que le récepteur par transmission infra-rouge.

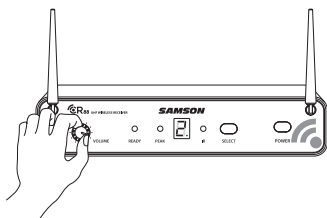


Configuration rapide - Installation d'un seul système

Lorsque la transmission est terminée, le CR88 recevra un signal HF et le code de tonalité de l'émetteur. Le témoin READY s'allumera sur la façade avant du récepteur CR88.



Après l'avoir connecté(e), mettez l'amplificateur ou la console de mixage sous tension, en maintenant son volume au minimum. Réglez le bouton de Volume du CR88 à fond en sens horaire (sur "10"). Il s'agit du gain unitaire.



Parlez ou chantez dans le micro ou, si vous utilisez l'émetteur en ayant branché un instrument, jouez de l'instrument au niveau normal adopté pendant le spectacle. Augmentez lentement le volume de votre amplificateur ou de votre table de mixage jusqu'à ce que le niveau désiré soit atteint.

Si vous estimez que le système présente des décrochages notables, une plage de fonctionnement globale réduite ou des pointes de bruit inattendues, modifiez le canal en fonctionnement du système en suivant les étapes exposées ci-dessus.

ENGLISH

FRANÇAIS

DEUTSCHE

ESPAÑOL

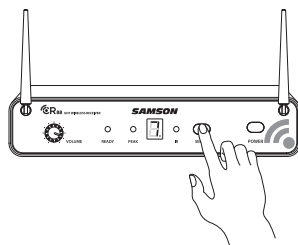
ITALIANO

Configuration rapide - Installation de plusieurs systèmes

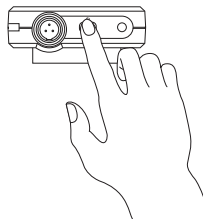
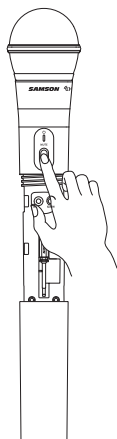
Lorsqu'on utilise plusieurs systèmes, chaque système doit être réglé sur un canal en fonctionnement différent. Les paires d'émetteurs et de récepteurs doivent être sur le même plan de canaux pour fonctionner ensemble (voir "Concert 88 Channel Plans" on page 41).

En mettant en place un émetteur supplémentaire, faites en sorte de bien fermer tous les autres compartiments à piles de l'émetteur pour s'assurer que la Lentille infra-rouge soit masquée.

Pour modifier le canal en fonctionnement d'un système, appuyez sur le bouton SELECT à l'avant du récepteur du CR88. Le numéro du canal augmentera de un, de 0 à 9 puis de A à F. Une fois parvenu au dernier canal, le sens de comptage s'inversera pour revenir à 0.

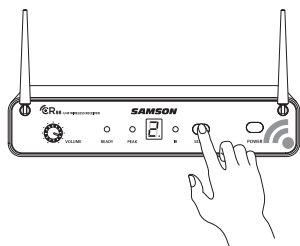


Mettre l'émetteur sous tension (Marche) en maintenant l'interrupteur Power (Marche/Arrêt) enfoncé ; le témoin LED s'allumera en vert.

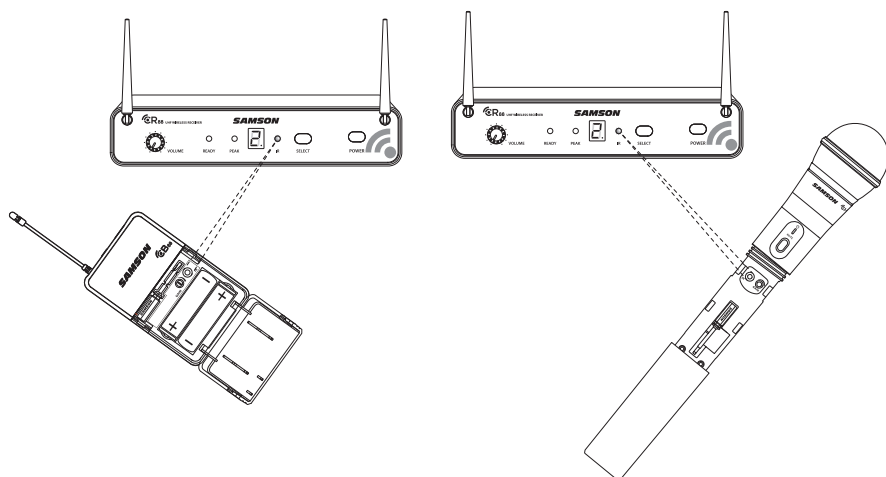


Configuration rapide - Installation de plusieurs systèmes

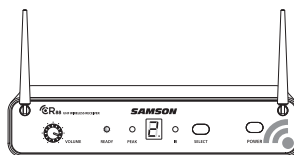
Positionnez l'émetteur à environ 6 à 12" (15 à 30 cm) de l'avant du CR88, la fenêtre infra-rouge de l'émetteur étant tournée vers l'ouverture infra-rouge du récepteur.



Maintenez le bouton SELECT du CR88 enfoncé pour synchroniser l'émetteur sur le même canal que le récepteur par émission d'infra-rouges.



Lorsque l'émission sera terminée et que le CR88 recevra un signal radio de l'émetteur, le témoin READY s'allumera sur la façade avant du récepteur du CR88.

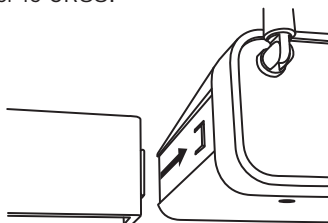


Si vous estimez que le système présente des décrochages notables, une plage de fonctionnement globale réduite ou des pointes de bruit, modifiez le canal en fonctionnement du système en suivant les étapes ci-dessus.

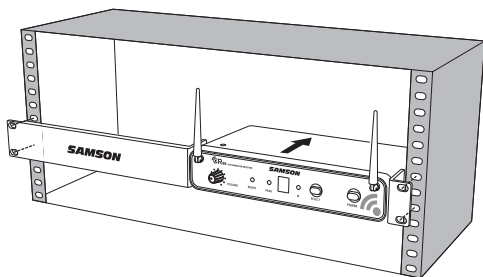
Montage sur baie

Le récepteur du CR88 peut s'installer dans une baie 19" standard en vue du transport ou d'une installation permanente en se servant des pattes de baies ci-jointes. Suivez les différentes phases ci-dessous pour installer le CR88:

Fixez les pattes de baie ci-jointes en faisant coulisser chaque patte de baie dans la rainure située de chaque côté du CR88 jusqu'à ce qu'elles se mettent en place et se bloquent, puis le récepteur de manière à ce qu'il affleure parfaitement avec la façade avant.

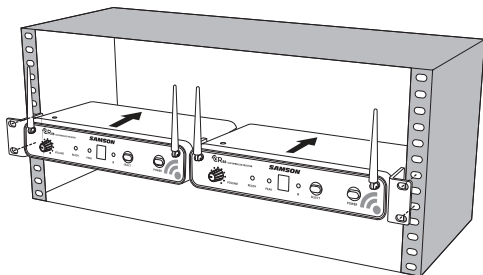


Positionnez le récepteur du CR88 dans un logement de rack disponible, puis faites-le coulisser à l'intérieur jusqu'à ce que les pattes du rack touchent les glissières du boîtier de rack et soient alignées sur les trous des glissières du rack.



Introduisez le récepteur dans le rack à l'aide des vis de rack appropriées (non jointes à la livraison). Pour garantir une tension égale et un bon équilibre en installant le récepteur, vous devrez fixer les vis en croix : en haut à gauche, puis en bas à droite, puis en haut à droite et enfin en bas à gauche.

Pour installer deux récepteurs de CR88 dans un seul espace de rack, le système comporte un raccord central. Faites coulisser le raccord central dans la rainure de chaque récepteur, puis fixez les pattes courtes du rack sur chaque récepteur. Installez les récepteurs dans le rack suivant le schéma en croix présenté plus haut.



Plans de fréquences du Concert 88

Group A* 925-938 MHz		Group B* 806-809 MHz		Group C 638-662 MHz		Group D 542-566 MHz		Group F* 606-630 MHz		Group G* 863-865 MHz	
Ch	Fréq.	Ch	Fréq.	Ch	Fréq.	Ch	Fréq.	Ch	Fréq.	Ch	Fréq.
0	925,125	0	806,125	0	638,125	0	542,125	0	606,125	0	863,050
1	925,850	1	806,375	1	639,625	1	543,625	1	607,625	1	863,250
2	926,575	2	807,125	2	641,050	2	545,05	2	609,05	2	863,550
3	927,300	3	807,750	3	642,425	3	546,425	3	610,425	3	863,750
4	928,025	4	809,000	4	642,900	4	546,900	4	610,900	4	864,050
5	928,750	5	809,500	5	645,525	5	549,525	5	613,525	5	864,250
6	929,475	6	806,250	6	647,100	6	551,100	6	615,100	6	864,550
7	930,200	7	806,500	7	648,475	7	552,475	7	616,475	7	864,750
8	932,300	8	807,000	8	650,000	8	554,000	8	618,000	8	864,950
9	933,000	9	807,875	9	652,075	9	556,075	9	620,075		
A	933,725	A	808,500	A	654,975	A	558,975	A	622,975		
B	934,450	B	808,875	B	655,975	B	559,975	B	623,975		
C	935,175	C	806,625	C	657,050	C	561,050	C	625,050		
D	935,900	D	806,875	D	658,975	D	562,975	D	626,975		
E	936,625	E	807,375	E	660,425	E	564,425	E	628,425		
F	937,350	F	808,25	F	661,975	F	565,975	F	629,975		

* A utiliser ailleurs qu'aux États-Unis et au Canada. Pour les questions concernant les canaux disponibles dans votre secteur, contactez le distributeur Samson le plus proche de chez vous.

Dépannage

Problème	Solutions
Pas de signal audio	Vérifiez que l'émetteur et le récepteur sont bien tous les deux sous tension.
	Vérifiez que les piles de l'émetteur sont correctement mises en place
	Vérifiez que l'émetteur n'est pas coupé.
	Vérifiez que l'adaptateur secteur du CR88 est correctement connecté et branché sur une prise secteur.
	Mettez le récepteur du CR88 sous tension.
	Vérifiez que les sorties audio du CR88 sont correctement connectées.
	Vérifiez que le récepteur et l'émetteur sont bien en ligne directe, sans obstacle.
	Vérifiez le réglage de niveau sur le récepteur et sur la console de mixage.
	Vérifiez que l'émetteur et le récepteur sont bien réglés sur le même canal en service. Dans le doute, réinitialisez le canal en effectuant un réglage de l'infra-rouge.
Distorsion audio	Le niveau de sortie du récepteur ou le niveau du dispositif d'entrée son est peut-être trop élevé.
	Contrôlez les piles des émetteurs. Remplacez-les si besoin est.
	Le gain à l'entrée sur l'émetteur (CB88) ou le niveau de la source audio est peut-être trop fort.
Décrochages audio	L'émetteur est trop loin du récepteur. Rapprochez-le du récepteur, ou essayez de modifier la position des antennes.
	Eloignez toutes les sources qui peuvent causer des interférences HF, comme les téléphones portables, sans fil, équipements d'éclairage, ordinateurs, ossatures métalliques, etc.
Le récepteur ne sera pas sous tension.	Examinez l'adaptateur pour vérifier qu'il est correctement relié et branché sur une prise d'alimentation secteur.
L'émetteur ne se mettra pas sous tension (témoins LED en ROUGE)	Remplacez les piles de l'émetteur.
Bruit ou interférences indésirables	Si vous utilisez plusieurs systèmes, vérifiez qu'aucun des systèmes ne fonctionne sur le même canal. Si le problème persiste, modifiez un seul ou la totalité des canaux du système.

Spécifications

Système

Portée	300' (100 m) en ligne directe
Réponse en fréquence :	50 Hz à 15 kHz
T.H.D. (Distorsion Harmonique) (totale)	<1% (@AF 1 kHz, RF 46 dBu)
Gamme dynamique	>100 dB pondéré A
Rapport signal/bruit	>90 dB
Température de fonctionnement	-10°C (14°F) à +60°C (+140°F)
Fréquence de manipulation en tonalité	32,768 kHz

Emetteur à clip de ceinture CB88

Connecteur d'entrée	Mini-XLR (P3)
Impédance d'entrée	1M Ω
Gamme de gain à l'entrée	38 dB
Puissance RF équivalente	10 mW de puissance isotrope rayonnée
Alimentation	deux piles alcalines AA (LR6)
Autonomie des piles	8 heures
Dimensions (h x l x p)	3.75" x 2.44" x 0.75" 96mm x 62mm x 18,5mm
Poids	0.2 lb / 93 g

Emetteur portable CH88

Élément de micro	dynamique
Gamme de gain à l'entrée	28 dB
Puissance RF équivalente	10 mW de puissance isotrope rayonnée
Alimentation	deux piles alcalines AA (LR6)
Autonomie des piles	8 heures
Dimensions (h x \varnothing)	10.23" x 2.1" 260mm x 54mm
Poids	0.48 lb / 218 g

Récepteur CR88

Niveau de sortie audio - Dissymétrique	+14 dBu
Niveau de sortie audio - Symétrique	+9 dBu
Impédance de sortie audio - Dissymétrique	810 Ohms
Impédance de sortie audio - Symétrique	240 Ohms
Sensibilité	-100 dBm / 30 dB sinad
Réjection d'image	>50 dB
Tension de fonctionnement	15 V= 200mA
Dimensions (l x p x h)	8.25" x 2.44" x 1.75" 210mm x 125mm x 44mm
Poids	0.85 lb / 388 g

Chez Samson, nous améliorons nos produits en permanence, certaines images et spécifications sont donc susceptibles de changer sans notification préalable.

Régulations FCC

Les systèmes Samson répondent aux normes FCC, alinéa 15 et les émetteurs répondent aux normes FCC, alinéa 74.

L'obtention des licences pour l'utilisation des produits Samson est de la responsabilité du client et dépend du pays d'utilisation.

REMARQUE : Cet équipement a été testé et déclaré conforme aux limites pour appareils numériques de classe B, selon la section 15 des règlements de la FCC. Ces restrictions visent à garantir une protection suffisante contre les interférences nuisibles dans une installation à domicile. Cet appareil génère et utilise un rayonnement de fréquence radio et peut causer des interférences nuisibles aux communications radio s'il n'est pas installé ou utilisé conformément aux instructions. Cependant, il n'existe aucune garantie contre ces interférences sur une installation particulière. Si cet appareil cause des interférences nuisibles à la réception des signaux de radio ou de télévision, ce qui peut être déterminé en allumant et en éteignant l'appareil, l'utilisateur peut tenter de résoudre le problème de l'une des façons suivantes :

- Réorientez ou repositionnez l'antenne de réception.
- Augmentez la distance séparant l'équipement du récepteur.
- Branchez l'appareil sur un circuit différent de celui du récepteur.
- Demandez conseil à un fournisseur ou technicien radio/TV spécialisé.

AVERTISSEMENT Les changements ou les modifications non expressément approuvées par le fabricant peuvent annuler l'autorisation de l'utilisateur à faire fonctionner l'équipement.

Cet appareil est conforme à RSS-310 de l'industrie canadienne.

Le fonctionnement du dispositif est soumis aux deux conditions suivantes :

(1) cet appareil ne doit pas causer d'interférences et (2) cet appareil doit fonctionner en présence d'interférences externes, ce qui comprend les interférences qui peuvent générer un dysfonctionnement.

Cet équipement est destiné à être utilisé dans des applications de microphones sans fil. L'équipement est destiné à la vente dans: AT, BE, CH, CY, CZ*, DK, EE, FI*, FR*, DE*, GR*, HU, IE, IS, IT, LV, LT*, LU, MT*, NL, NO*, PL* PT, RO, SK, SI, ES, SE, UK

*Sous réserve de la licence. S'il vous plaît contactez votre autorité de fréquence national d'information sur l'utilisation légale disponible dans votre région. Les changements ou modifications non expressément approuvés par Samson Technologies Corp pourrait annuler votre droit à faire fonctionner l'équipement.

Par les présentes, Samson Technologies Corp. déclare que ce matériel CR88, CH88, CB88 est conforme aux règles essentielles et autres dispositions en vigueur de la Directive 1999/5/CE. La déclaration de conformité est consultable sur le site http://www.samsontech.com/site_media/support/manuals/Concert_88_DOC.pdf

C €1797!

Wichtige Sicherheitshinweise



ACHTUNG GEFAHR VON ELEKTRISCHEN SCHOCKS NICHT ÖFFNEN

ACHTUNG: UM DAS RISIKO EINES ELEKTRISCHEN SCHLAGS ZU REDUZIEREN ÖFFNEN SIE NICHT DIE HINTERE ABDECKUNG. ES ENTHÄLT KEINE VOM BENUTZER ZU WARTENDEN TEILE. ÜBERGEBEN SIE DAS GERÄT NUR QUALIFIZIERTEM PERSONAL ZUR REPARATUR.



Dieser Blitz mit einem Pfeil als Symbol in einem gleichseitigen Dreieck soll den Benutzer auf das Vorhandensein von "gefährlicher Spannung" im Gehäuse des Produkts hinweisen. Diese Spannung ist unter Umständen groß genug, um ein Risiko für einen elektrischen Schlag darzustellen.



Das Ausrufungszeichen in einem gleichseitigen Dreieck soll den Benutzer in der mit dem Gerät mitgelieferten Dokumentation auf eine wichtige Betriebs- oder Wartungsanweisung hinweisen.

WARNUNG

UM EINEN ELEKTRISCHEN SCHOCK ZU VERMEIDEN, BENUTZEN SIE DEN GEPOLTEN STECKER NICHT MIT EINER VERLÄNGERUNGSSCHNUR, EINER STECKDOSE ODER ANDEREN STECKERN, ES SEI DENN, DIE KONTAKTE KÖNNEN VOLLKOMMEN HINEINGESTECKT WERDEN. UM BRANDGEFAHR UND GEFAHREN EINES SCHOCKS ZU VERMEIDEN, SETZEN SIE DAS GERÄT WEDER WASSER NOCH FEUCHTIGKEIT AUS. UM EINEN ELEKTRISCHEN SCHOCK ZU VERMEIDEN, MUSS DER BREITE FLACHKONTAKT VOLLKOMMEN IN DIE BREITE BUCHSE EINGEFÜHRT WERDEN.

DIESES GERÄT ENTSPRICHT DEM TEIL 15 DER VERORDNUNGEN DER KLASSE B. DER BETRIEB UNTERLIEGT FOLGENDEN ZWEI BEDINGUNGEN: (1) DIESES GERÄT DARF KEINE GEFÄHRLICHEN STÖRUNGEN VERURSACHEN UND (2) DIESES GERÄT MUSS STÖRUNGEN AKZEPTIEREN, DIE EINEN UNERWÜNSCHTEN BETRIEB DIESES GERÄTS VERURSACHEN KÖNNEN. GEEIGNET FÜR DEN EINSATZ ZU HAUSE UND IM BÜRO.



Wenn Sie das Produkt entsorgen möchten, geben Sie es nicht in den Hausmüll. In Übereinstimmung mit der Gesetzgebung existiert ein separates Sammelsystem für elektrische und elektronische Produkte. Diese Gesetze fordern eine angemessene Behandlung, Verwertung und Wiederaufbereitung solcher Geräte.

Private Haushalte in den 28 Mitgliedsstaaten der EU, in der Schweiz und Norwegen können ihre elektronischen Produkte kostenlos an eine Sammelstelle oder den Händler abgeben (wenn Sie ein ähnliches Produkt wieder erwerben).

Verbraucher in Ländern, die nicht oben genannt werden, kontaktieren bitte ihre lokalen Behörden, um Informationen über eine korrekte Entsorgung zu erhalten.

Sie werden so sicherstellen, dass Ihr Produkt der notwendigen Behandlung, Verwertung und Wiederaufbereitung unterzogen wird und eventuelle negative Auswirkungen auf die Umwelt und die Gesundheit vermieden werden.

Sicherheitshinweise

1. Lesen Sie diese Anweisungen.
2. Bewahren Sie diese Anweisungen auf.
3. Beachten Sie alle Warnungen.
4. Folgen Sie allen Anweisungen.
5. Benutzen Sie das Gerät nicht in der Nähe von Wasser.
6. Reinigen Sie es nur mit einem trockenen Tuch.
7. Verschließen Sie keine Ventilationsöffnungen. Installieren Sie das Gerät gemäß den Anweisungen des Herstellers.
8. Installieren Sie es nicht in der Nähe von Wärmequellen wie Radiatoren, Heizkörpern, Öfen oder anderen Geräten (einschließlich Verstärker), die Hitze erzeugen.
9. Umgehen Sie nicht die Sicherheitsfunktion des polarisierten oder geerdeten Steckers. Ein polarisierter Stecker besteht aus zwei Flachkontakten, wobei einer breiter ist als der andere. Ein Stecker mit Erdung besteht aus zwei Flachkontakten und einem dritten runden Erdungsstift. Der breite Flachkontakt und der Erdungsstift werden aus Sicherheitsgründen integriert. Wenn der mitgelieferte Stecker nicht in Ihre Steckdose passt, bitten Sie einen Elektriker, die obsoletere Steckdose auszutauschen.
10. Schützen Sie das Stromversorgungskabel davor, dass man darauf tritt und dass es geknickt wird, vor allem an den Steckern, Buchsenteilen und an den Punkten, an denen das Kabel aus dem Gerät kommt.
11. Benutzen Sie nur die vom Hersteller spezifizierten Zubehörteile.
12. Benutzen Sie nur Wagen, Ständer, Stative, Halter oder Tische, die vom Hersteller angegeben werden oder passend zum Gerät erhältlich sind.
13. Wenn ein Wagen eingesetzt wird, sollten Sie vorsichtig sein, wenn Sie den Wagen und das Gerät bewegen, um Verletzungen durch Umkippen zu vermeiden.
13. Ziehen Sie den Stecker des Geräts bei Gewittern oder wenn es längere Zeit nicht benutzt wird aus der Steckdose.
14. Übergeben Sie das Gerät zur Reparatur nur qualifiziertem Personal. Wenn das Gerät in irgendeiner Weise beschädigt wurde, zum Beispiel wenn das Stromversorgungskabel oder der Stecker beschädigt sind, Flüssigkeit ausgelaufen ist oder ein Objekt in das Gerät gefallen ist oder das Gerät Regen oder Feuchtigkeit ausgesetzt wurde, es nicht normal funktioniert oder gefallen ist, muss es von einer Fachkraft werden.
15. Dieses Gerät darf nicht Wasserspritzern oder einem Wasserstrahl ausgesetzt werden und es darf keine Vase oder ein mit Wasser gefülltes Objekt auf das Gerät gestellt werden.
16. Achtung - um einen elektrischen Schock zu vermeiden, muss der breite Flachkontakt vollkommen in die breite Buchse eingeführt werden.
17. Bitte achten Sie darauf, dass die gesamte Umgebung um das Gerät gut gelüftet ist.
18. Der Hauptstecker ist als Abschalteneinrichtung ausgelegt. Die Abschalteneinrichtung muss immer betriebsbereit sein.
19. Die Batterie (Batterie oder Batterien oder Batteriepaket) darf keiner Hitze etwa Sonneneinstrahlung, Feuer oder ähnlichen Einwirkungen ausgesetzt werden.



Inhaltsverzeichnis

Einführung48
Systemfunktionen49
Systemkomponenten49
Einführende Tour - CR88 Receiver50
Einführende Tour - CB88 Sender mit Gürtelhalter52
Einführende Tour - CH88 Tragbarer Sender54
Kurzanleitung - Einstellung eines einzelnen Systems55
Kurzanleitung - Einstellung eines mehrfachen Systems59
Rack Montage.61
Concert 88 Kanal-Auflistung62
Fehlerbehebung63
Spezifikationen64

ENGLISH

FRANÇAIS

DEUTSCHE

ESPAÑOL

ITALIANO

Einführung

Herzlichen Glückwunsch für den Kauf des Samson Concert 88 Kabellosen Systems! Das Concert 88 ist die ideale Lösung für den aktiven Performer, der ein zuverlässiges, gut klingendes System für drahtlose Anwendungen benötigt. Mit einer einfachen Bedienung, 16 verfügbaren Kanälen und Infrarot Set für den Sendekanal kann das Concert 88 System schnell und problemlos eingesetzt werden. Das Concert 88 System sorgt für eine klare, störungsfreie Performance durch die Kombination von Tone Key mit Auto-Mute. Diese Konfiguration ermöglicht, dass nur das Audio Signal des Senders den Receiver erreicht und schaltet den Ausgang ab, wenn es irgendeine Störung geben sollte.

Das Concert 88 ist in vier Konfigurationen erhältlich. Das tragbare Vokal- System umfasst den tragbare CH88 Sender und die dynamische Mikrofonkapsel. Das CB88 System mit Gürtelhalter kann entweder mit dem HS5 Headset Mikrofon, LM5 Lavalier Mikrofon oder einem 1/4" Instrumentenkabel konfiguriert werden. Für unterwegs oder eine Festinstallation enthält das Concert 88 System eine Standard 19" Rackmount Kit.

Auf diesen Seiten werden Sie eine detaillierte Beschreibung der Eigenschaften und Funktionen des Concert 88 Kabellosen Systems sowie eine Tour durch das Bedienfeld, eine Schritt-für-Schritt Anleitung durch das Setup und den Betrieb vorfinden sowie eine umfangreiche Liste der Spezifikationen. Wenn Sie Ihr Mikrofon in den Vereinigten Staaten erworben haben, werden Sie ebenfalls im Lieferumfang eine Garantiekarte finden — vergessen Sie bitte nicht, sie auszufüllen und einzusenden, so dass Sie Online-Support in Anspruch nehmen können und wir Ihnen aktualisierte Informationen über dieses und andere Samson Produkte zusenden können. Besuchen Sie ebenfalls unsere Website (www.samsontech.com) um Informationen über unser komplettes Produktangebot zu erhalten.

Wir empfehlen Ihnen, die folgenden Daten sowie eine Kopie der Kaufquittung gut aufzubewahren.

Seriennummer Empfänger: _____

Seriennummer Sender: _____

Kaufdatum: _____

Name des Händlers: _____

Mit der richtigen Pflege und Wartung wird Ihr Concert 88 Kabelloses System viele Jahre lang problemlos eingesetzt werden können. Falls Ihre kabelloses System je eine Reparatur benötigen sollte, ist eine Return Authorization (RA) Nummer [Rücksendegenehmigungsnummer] erforderlich, bevor Sie Ihr Gerät an die Samson schicken. Ohne diese Nummer wird das Gerät nicht angenommen. Bitte rufen Sie Samson unter 1-800-3SAMSON (1-800-372-6766) an und erbitten Sie eine RA Nummer, bevor Sie die Einheit einschicken. Bitte bewahren Sie das originale Verpackungsmaterial auf und schicken Sie das Gerät wenn möglich in der originalen Verpackung ein. Wenn Ihr Concert 88 System außerhalb der Vereinigten Staaten erworben wurde, kontaktieren Sie bitte Ihren lokalen Händler bezüglich der Details zur Garantie und für Service- und Wartungsinformationen.

Systemfunktionen

- Profi Funksystem für den Einsatz sowohl in Live-Sound als auch Beschallungsanwendungen
- True Diversity Technologie maximiert die aktive Reichweite (bis zu 300 Fuß / 100m) und reduziert potenzielle Störungen
- 16 verfügbare Kanäle im UHF Band, ausgelegt für eine maximale Systemkompatibilität am gleichen Ort ohne Störung
- Die CR88 Empfänger ist ein Half-Rack Einheit, die freistehend oder mit Hilfe des mitgelieferten Rack-Kit in einem beliebigen Standard 19" montiert verwendet werden kann, so dass sie leicht auf jeder Reise als Festeinbau Audio-System integriert werden kann
- Tone Key und Auto Mute ermöglichen, dass nur das Audio Signal des Senders den Receiver erreicht und schalten den Ausgang ab, wenn es irgendeine Störung geben sollte.
- Bis zu 300 Meter Reichweite (Sichtlinie)
- Bis zu acht Stunden Akkulaufzeit, mit zwei Standard-AA-Batterien

Systemkomponenten

Alle Systeme

- CR88 Receiver
- Stromversorgung 1/4" nach 1/4" Audio Kabel
- Rack Zubehör Long Rack Griff, Short Rack Griff, zwei Receiver Adapter
- Benutzerhandbuch

Tragbares System

- Tragbarer CH88 Sender mit dynamischer Mikrofonkapsel

Headset System

- CB88 Sender mit Gürtelhalter
- HS5 Headset Mikrofon mit Mini- XLR Anschluss

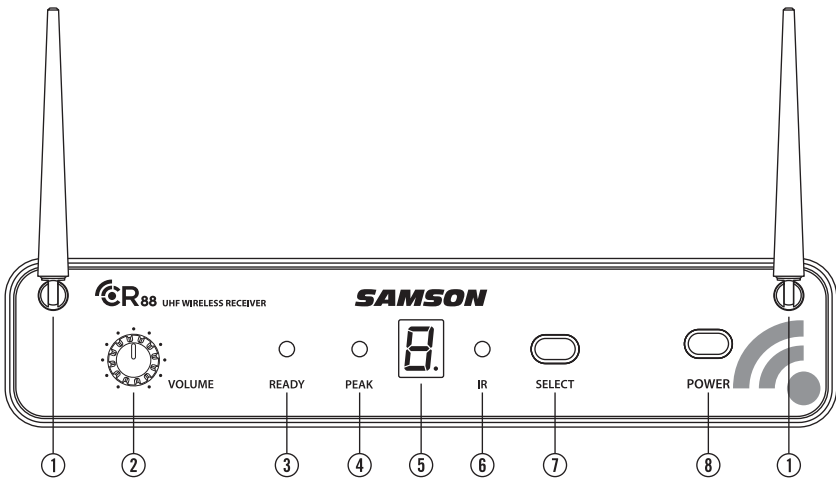
Lavalier System

- CB88 Sender mit Gürtelhalter
- LM5 Lavier Mikrofon mit Mini- XLR Anschluss
- Klammer

Instrument System

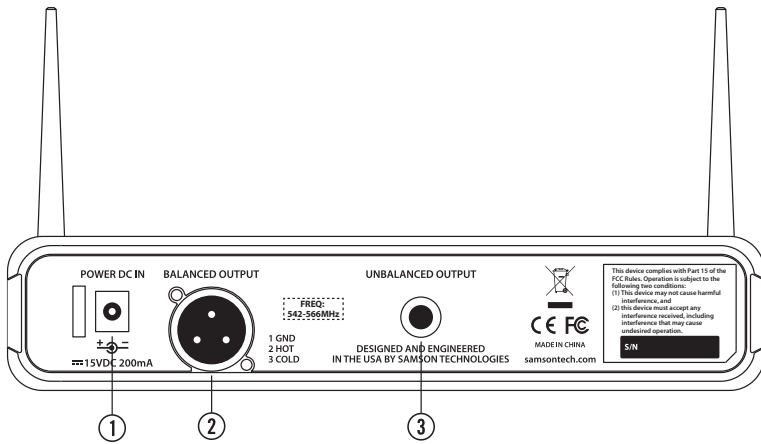
- CB88 Sender mit Gürtelhalter
- 1/4" an mini-XLR Instrumentenkabel

Einführende Tour - CR88 Receiver

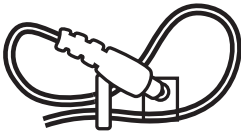


1. **Antennen** - Der Antennenhalter ermöglicht eine volle Umdrehung, um die optimale Stellung für den Empfang einstellen zu können. Bei normalem Betrieb sollen sich beide Antennen in vertikaler Position befinden. Die Antennen können für den Transport des CR88 nach innen geklappt werden.
2. **VOLUME Regler** - Dieser Knopf stellt den Pegel des Ausgangssignals für sowohl unsymmetrische als auch symmetrische Ausgangsstecker auf der Rückseite des Geräts ein. Den Referenzpegel erhält man, wenn der Regler ganz im Uhrzeigersinn gedreht wird (auf seine Einstellung "10").
3. **READY Indikator** - Diese Anzeige leuchtet grün, wenn der CR88 empfängt HF-Signal empfängt und das System einsatzbereit ist.
4. **PEAK Indikator** - Diese Anzeige leuchtet rot, wenn das übertragene Audiosignal überlastet ist.
5. **LED Display** - Die 7-Segment LED Anzeige zeigt den aktuellen Betriebskanal des Empfängers an. Die CR88 Kanäle werden durch 0-9 und A-F angegeben.
6. **IR Sender** - Während "IR SET" wird ein Infrarot Licht verwendet, um den Sender Kanal einzustellen.
7. **SELECT Knopf** - Drücken Sie diese Taste, um zwischen den Arbeitskanälen des Empfängers umzuschalten. Drücken und halten Sie diese Taste, um die Kanalinformationen via Infrarot Übertragung zum Sender zu schicken.
8. **POWER Schalter** - Betätigen Sie ihn, um den CR88 ein- oder auszuschalten.

Einführende Tour - CR88 Receiver

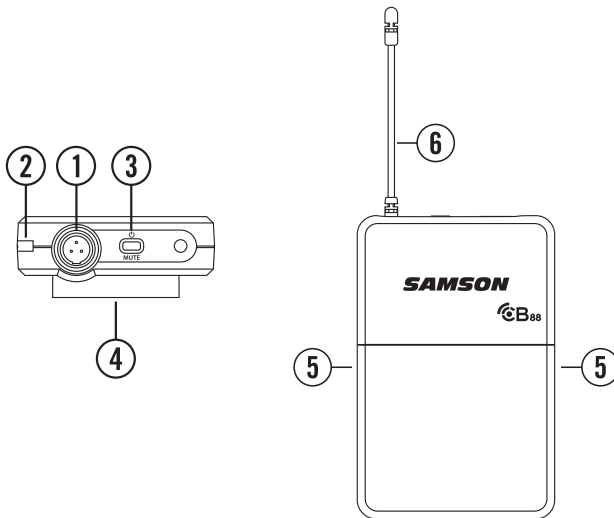


- 1. DC Input** - Schließen Sie dort den mitgelieferten Netzadapter an und verwenden Sie die Zugentlastung, wie in der Abbildung unten gezeigt. **WARNUNG:** Ersetzen Sie ihn nicht durch irgendein anderes Netzteil. Dies kann schwere Schäden am CR88 verursachen und die Garantie wird dadurch ungültig.
- 2. BALANCED OUTPUT** - Verwenden Sie diese elektronisch symmetrische XLR-Buchse mit niedriger Impedanz (600 Ohm), wenn Sie das CR88 an professionelle (4dBu) Audio Geräte anschließen möchten. Die Pinbelegung ist wie folgt: Pin 1 Masse, Pin 2 High (hot) und Pin 3 Low (cold).
- 3. UNBALANCED OUTPUT** - Verwenden Sie diese elektronisch unsymmetrische 1/4" Buchse mit hoher Impedanz (5K Ohm), wenn Sie das CR88 an Heim Audio Geräte (-10dBV) anschließen möchten. Die Verkabelung ist wie folgt: Spitze Plus, Hülse Minus.



Verwendung der Zugentlastung: Erstellen Sie mit dem Kabel eine Schleife und führen Sie sie durch die Zugentlastung. Führe Sie dann den Adapter Stecker durch die Schlaufe, um einen Knoten zu erzeugen.

Einführende Tour - CB88 Sender mit Gürtelhalter



1. **Anschluss Eingang** - Schließen Sie das Eingabegerät über den Mini-XLR Anschluss an. Die CB88 wird entweder mit einem Lavalier , Headset Mikrofon oder 1/4 " Instrumentenkabel geliefert.

2. **Status Indikator** - Diese LED zeigt den Betriebsmodus an:

GRÜN	Normaler Betrieb
ROT	Mute (Ton aus)
GRÜN blinkend	Batterie schwach

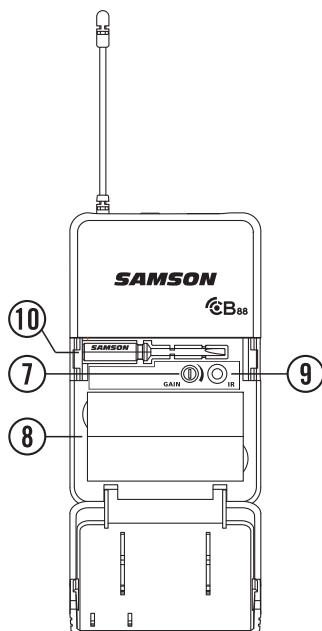
3. **Power/Mute Schalter** - Betätigen Sie ihn, um das Gerät ein- oder auszuschalten. Drücken Sie die Mute Taste und lassen Sie sie los, um den Sender stummzuschalten oder wieder zu aktivieren.

4. **Gürtel- Clip** - Verwenden Sie es, um den CB88 Sender an einem Gürtel oder Gitarrenzug zu befestigen.

5. **Arretierung der Batterieabdeckung** - Drücken Sie sie auf beiden Seiten und ziehen Sie sie nach hinten, um die CB88 Batterieabdeckung zu öffnen.

6. **Antenne** - Diese dauerhaft befestigte Senderantenne sollte im Normalbetrieb voll ausgefahren werden.

Einführende Tour - CB88 Sender mit Gürtelhalter



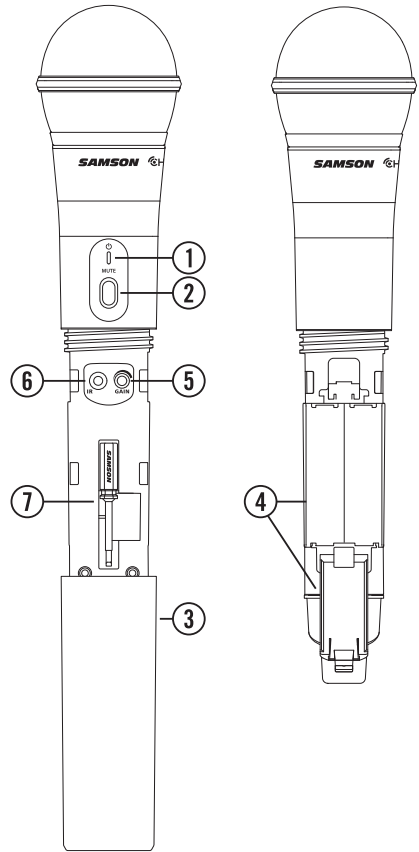
7. **Eingangspiegel Regler** - Dieser Regler bestimmt die Eingangsempfindlichkeit des Senders, um mit Mikrofon und Instrumenten-Eingänge betrieben zu werden. Um eine optimale Leistung zu erreichen, stellen Sie mit dem mitgelieferten Schraubendreher den Eingangspiegel Regler, bis die CR88 PEAK Anzeige bis zu hohen Niveaus ausschlägt. Drehen Sie den Regler herunter, bis die PEAK Anzeige nicht mehr aufleuchtet.
8. **Batteriehalter** - Setzen Sie hier zwei Standard AA (LR6) Batterien ein. Achten Sie darauf, dass Sie dabei die dargestellten Polaritätsmarkierungen einhalten. Obwohl aufladbare Ni-Cad Batterien eingesetzt werden können, liefern diese nicht ausreichend Energie für mehr als vier Stunden. **WARNUNG:** Setzen Sie die Batterie nicht umgekehrt ein; Dies kann schwere Schäden am CR88 verursachen und die Garantie wird dadurch ungültig.
9. **IR Fenster** - Dieses Fenster wird verwendet, um das Infrarotsignal zu empfangen, das von der CR88 Einheit während des IR-SET verschickt wird, um den Kanal des Sender einzustellen.
10. **Kunststoff Schraubendreher** - Dieser wird zur Einstellung des Eingangspiegel Reglers an der CB88 Einheit verwendet (Siehe #7 Eingangspiegel Regler)

Einführende Tour - CH88 Tragbarer Sender

1. **Status Indikator** - Diese LED zeigt den Betriebsmodus an:

GRÜN	Normaler Betrieb
ROT	Mute (Ton aus)
GRÜN blinkend	Batterie schwach

2. **Power/Mute Schalter** - Betätigen Sie ihn, um das Gerät ein- oder auszuschalten. Drücken Sie die Mute Taste und lassen Sie sie los, um den Sender stummzuschalten oder wieder zu aktivieren.
3. **Arretierung der Batterieabdeckung** - Drücken Sie sie auf beiden Seiten und ziehen Sie sie nach hinten, um die CB88 Batterieabdeckung zu öffnen.
4. **Batteriehalter** - Öffnen Sie das Batteriefach, indem Sie die Registerkarte und die Abdeckung. Setzen Sie hier zwei Standard AA (LR6) Batterien ein. Achten Sie darauf, dass Sie dabei die dargestellten Polaritätsmarkierungen einhalten. Obwohl aufladbare Ni-Cad Batterien eingesetzt werden können, liefern diese nicht ausreichend Energie für mehr als vier Stunden. **WARNUNG:** Setzen Sie die Batterie nicht umgekehrt ein; Dies kann schwere Schäden am CR88 verursachen und die Garantie wird dadurch ungültig.



5. **Eingangspegel Regler** - Dieser Regler stellt die Eingangsempfindlichkeit des Senders ein. Um eine optimale Leistung zu erreichen, stellen Sie mit dem mitgelieferten Schraubendreher den Eingangspegel Regler, bis die CR88 PEAK Anzeige bis zu hohen Niveaus ausschlägt. Drehen Sie den Regler herunter, bis die PEAK Anzeige nicht mehr aufleuchtet.
6. **IR Fenster** - Dieses Fenster wird verwendet, um das Infrarotsignal zu empfangen, das von der CR88 Einheit während des IR-SET verschickt wird, um den Kanal des Sender einzustellen. Der Batteriefach Deckel muss geöffnet sein und das IR Fenster in Richtung des Empfängers gerichtet sein, um den ausgewählten Kanal zu laden.
7. **Kunststoff Schraubendreher** - Dieser wird zur Einstellung des Eingangspegel Reglers an der CB88 Einheit verwendet (Siehe #5 Eingangspegel Regler)

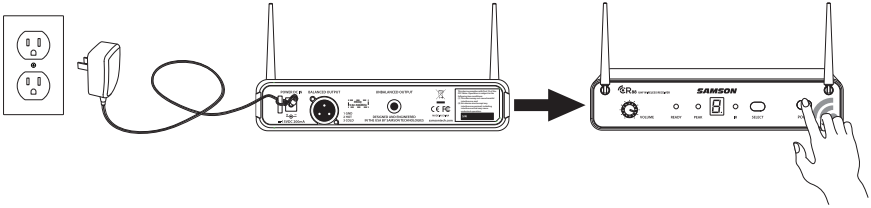
Kurzanleitung - Einstellung eines einzelnen Systems

Damit Ihre Wireless System einwandfrei funktioniert, müssen sowohl Sender und als auch Empfänger auf den gleichen Kanal eingestellt werden.

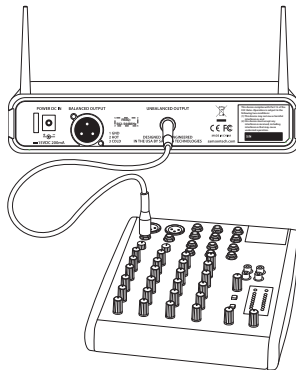
Folgen Sie diesen grundlegenden Vorgehensweisen zur Einstellung und den Einsatz Ihres kabellosen Concert 88 Systems.

Platzieren Sie den CR88 Empfänger dort, wo es verwendet wird, und richten Sie die Antennen vertikal aus. Allgemeine Daumenregel ist dabei, die "Sichtverbindung" zwischen dem Empfänger und dem / den Sender(n) zu halten, so dass die Person / Personen, die Sender nutzen, den Empfänger sehen können.

Schalten Sie mit dem Power Schalter das CR88 Gerät an und wieder aus und schließen Sie dann das mitgelieferte Netzteil an. Schalten Sie das CR88 Gerät kurzzeitig ein um zu bestätigen, dass das Gerät mit Strom versorgt wird. Dabei sollte die LED Anzeige aufleuchten. Schalten Sie dann das CR88 wieder aus.

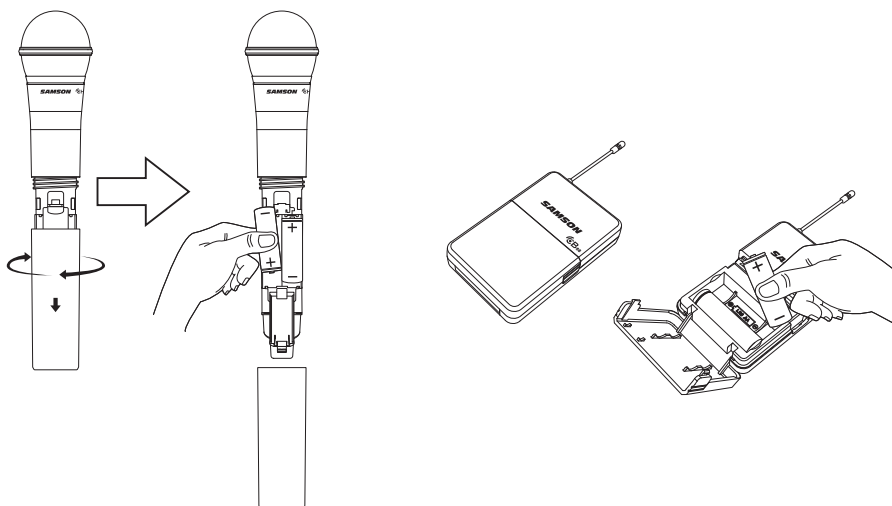


Schalten Sie Ihren Verstärker aus und drehen Sie die Lautstärkeregel vollkommen herab. Schließen Sie dann die CR88 Empfänger Ausgangsbuchse an den Mikrofon- oder Line-Pegel Eingang eines Mischpults oder Verstärkers mit dem symmetrischen XLR Ausgang oder asymmetrische 1/4" Line-Level Ausgang. Drehen Sie den Level-Regler auf des CR88 Geräts ganz nach links und schalten Sie das Gerät ein.

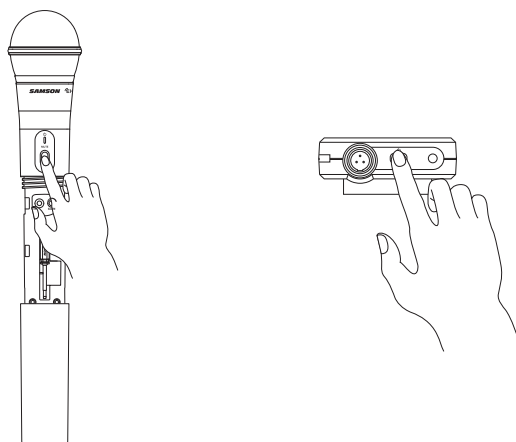


Kurzanleitung - Einstellung eines einzelnen Systems

Schalten Sie den Sender aus. Legen Sie zwei neue AA Batterien in die CB88 Gürteltasche oder den tragbaren CH88 Sender. Lassen Sie das Batteriefach geöffnet.

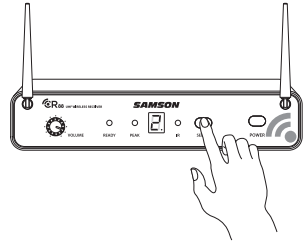


Schalten Sie den Sender ein, indem Sie den Netzschalter betätigen und halten; die Indikator LED leuchtet grün auf.

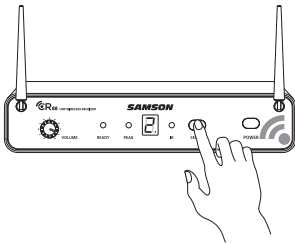


Kurzanleitung - Einstellung eines einzelnen Systems

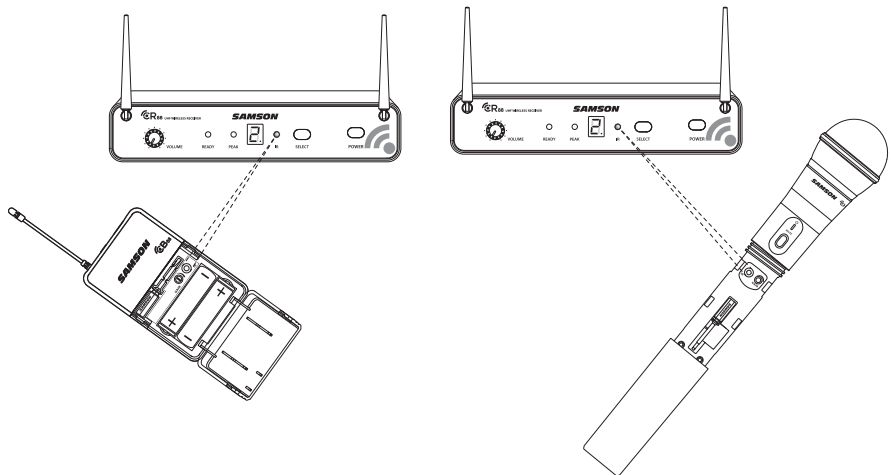
Betätigen Sie die SELECT Taste auf der Vorderseite des CR88 Empfängers, um einen verfügbaren Kanal zu wählen. Die Kanalnummer wird um eine Stelle erhöht, von 0-9 AF. Sobald der letzte Kanal erreicht wurde, wird der Zähler wieder auf 0 zurückspringen.



Positionieren Sie den Sender etwa 6-12" (15-30 cm) von der Vorderseite des CR88 entfernt, wobei das IR Fenster des Senders auf den IR Sender an der Frontplatte des CR88 Empfängers gerichtet ist.

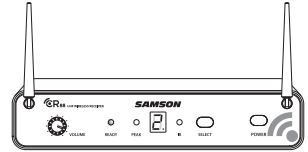


Drücken und halten Sie die CR88 SELECT Taste, um den Sender über Infrarot Übertragung auf den gleichen Kanal wie den Empfänger zu stellen.

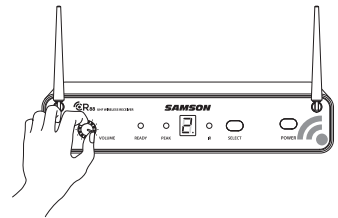


Kurzanleitung - Einstellung eines einzelnen Systems

Wenn die Übertragung abgeschlossen ist, wird der CR88 Empfänger HF Signale und den Ton Key des Senders empfangen. Die READY Anzeige auf der Frontplatte des CR88 Empfängers wird dann aufleuchten.



Schalten Sie den angeschlossenen Verstärker und / oder Mixer ein, halten Sie dabei jedoch die Lautstärke niedrig. Drehen Sie den Volume Knopf am CR88 vollkommen im Uhrzeigersinn (auf seine Position "10"). Dies ist Einsverstärkung.



Sprechen oder singen Sie in das Mikrofon, oder wenn Sie den Sender mit einem Gerät verbunden haben, spielen Sie das Instrument bei normalem Leistungsniveau. Heben Sie dann langsam die Lautstärke des Verstärkers oder des Mischpults an, bis der gewünschte Pegel erreicht ist.

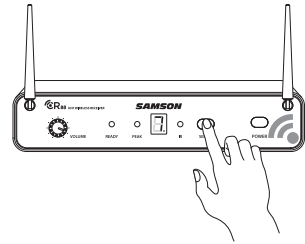
Wenn beim System Aussetzer zu hören sind, reduzieren Sie die Übertragungsdistanz oder unerwartete plötzliche Geräusche, ändern Sie den Betriebskanal des Systems mit Hilfe der oben beschriebenen Schritte.

Kurzanleitung - Einstellung eines mehrfachen Systems

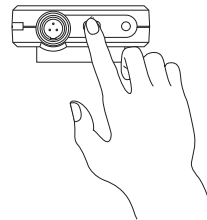
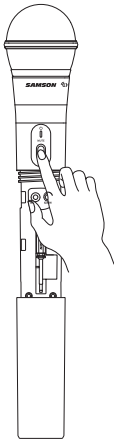
Bei der Verwendung von mehreren Systemen muss jedes System auf einen anderen Betriebskanal eingestellt werden. Sender und Empfänger Paare müssen auf dem gleichen Kanal eingestellt werden, um zusammen zu arbeiten (siehe "Concert 88 Kanal-Auflistung" auf Seite 62).

Stellen Sie bei der Einstellung eines zusätzlichen Senders sicher, dass alle anderen Sender Batteriefächer geschlossen sind, damit alle IR Fenster abgedeckt sind.

Um das Betriebskanal eines Systems zu ändern, drücken Sie die SELECT Taste auf der Vorderseite des CR88 Empfängers. Die Kanalnummer wird um eine Stelle erhöht, von 0-9 AF. Sobald der letzte Kanal erreicht wurde, wird der Zähler wieder auf 0 zurückspringen.

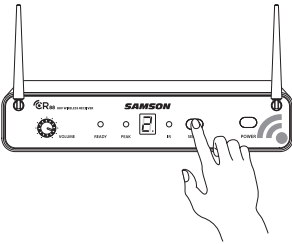


Schalten Sie den Sender ein, indem Sie den Netzschalter betätigen und halten; die Indikator LED leuchtet grün auf.

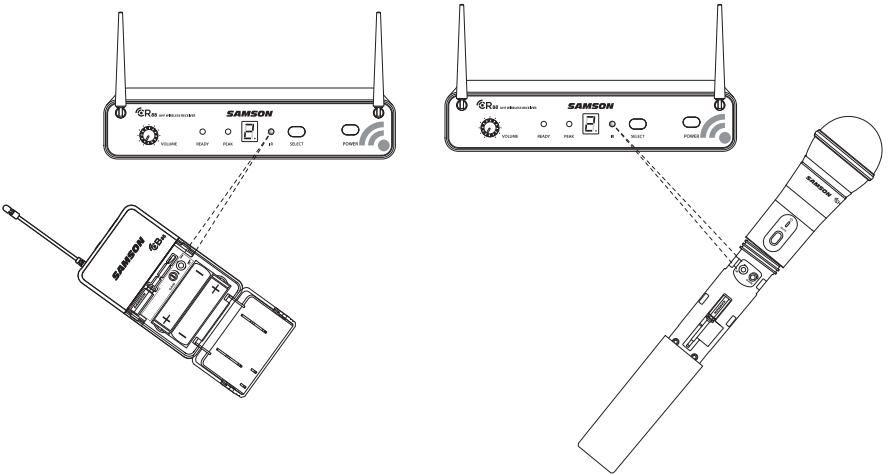


Kurzanleitung - Einstellung eines mehrfachen Systems

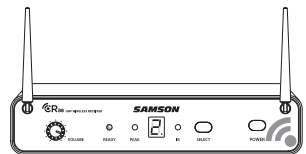
Positionieren Sie den Sender etwa 6-12" (15-30 cm) von der Vorderseite des CR88 entfernt, wobei das IR Fenster des Senders auf den IR Sender des Empfängers gerichtet ist.



Drücken und halten Sie die CR88 SELECT Taste, um den Sender über Infrarot Übertragung auf den gleichen Kanal wie den Empfänger zu stellen.



Wenn die Übertragung abgeschlossen ist und der CR88 Empfänger HF-Signal vom Sender empfängt, wird die READY-Anzeige auf der Frontplatte der CR88 Empfänger leuchten.

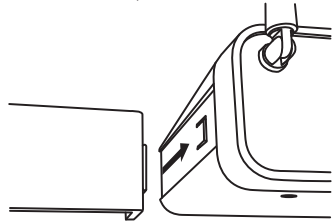


Wenn beim System Aussetzer zu hören sind, reduzierten Sie die Übertragungsdistanz oder unerwartete plötzliche Geräusche, ändern Sie den Betriebskanal des Systems mit Hilfe der oben beschriebenen Schritte.

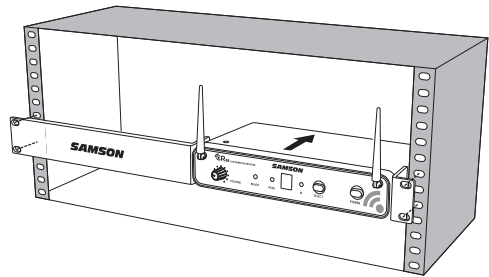
Rack Montage

Der CR88 Empfänger kann in einen Standard 19" Rack für den Transport oder die permanente Installation montiert werden. Benutzen Sie dazu die enthaltenen Rack Laschen. Folgen Sie den unten angegebenen einfachen Schritten, um den CR88 in einem Rack zu montieren:

Montieren Sie die beinhaltenen Rack Laschen, indem Sie jede Lasche auf die Schiene einer jeden Seite des CR88 schieben, bis die Laschen einrasten und flach mit der Vorderseite abschließen.

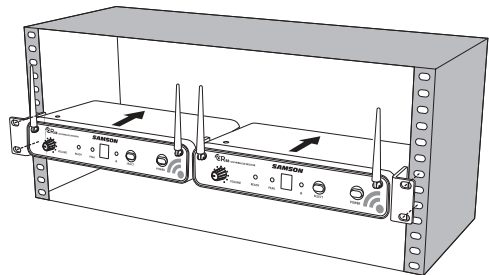


Setzen Sie den CR88 Empfänger in ein freies Rack Fach und schieben Sie in hinein, bis die Laschen die Schienen des Gehäuses berühren und mit den Löchern der Rack-Schiene ausgerichtet sind.



Montieren Sie die Empfänger im Rack, indem Sie ihn mit den passenden Rack-Schrauben (nicht beinhalten) festziehen. Um gleiche Spannung und Balance sicherzustellen, wenn Sie den Empfänger montieren, sollten Sie die Schrauben über Kreuz, jeweils die schräg gegenüber liegenden Schrauben anziehen: oben links -> unten rechts -> oben rechts -> unten links.

Um zwei CR88 Empfänger in einem Rack zu montieren, enthält das System ein Center Anschlussstück. Schieben Sie das Center Anschlussstück in die Nut eines jeden Empfängers und befestigen Sie die kurzen Montagewinkel an jedem Empfänger. Montieren Sie die Empfänger in das Rack und ziehen Sie die Schrauben im wie oben beschriebenen Kreuzmuster an.



Concert 88 Kanal-Auflistung

Group A*		Group B*		Group C		Group D		Group F*		Group G*	
925-938 MHz		806-809 MHz		638-662 MHz		542-566 MHz		606-630 MHz		863-865 MHz	
Kan	Freq	Kan	Freq	Kan	Freq	Kan	Freq	Kan	Freq	Kan	Freq
0	925.125	0	806.125	0	638.125	0	542.125	0	606.125	0	863.050
1	925.850	1	806.375	1	639.625	1	543.625	1	607.625	1	863.250
2	926.575	2	807.125	2	641.050	2	545.05	2	609.05	2	863.550
3	927.300	3	807.750	3	642.425	3	546.425	3	610.425	3	863.750
4	928.025	4	809.000	4	642.900	4	546.900	4	610.900	4	864.050
5	928.750	5	809.500	5	645.525	5	549.525	5	613.525	5	864.250
6	929.475	6	806.250	6	647.100	6	551.100	6	615.100	6	864.550
7	930.200	7	806.500	7	648.475	7	552.475	7	616.475	7	864.750
8	932.300	8	807.000	8	650.000	8	554.000	8	618.000	8	864.950
9	933.000	9	807.875	9	652.075	9	556.075	9	620.075		
A	933.725	A	808.500	A	654.975	A	558.975	A	622.975		
B	934.450	B	808.875	B	655.975	B	559.975	B	623.975		
C	935.175	C	806.625	C	657.050	C	561.050	C	625.050		
D	935.900	D	806.875	D	658.975	D	562.975	D	626.975		
E	936.625	E	807.375	E	660.425	E	564.425	E	628.425		
F	937.350	F	808.25	F	661.975	F	565.975	F	629.975		

* Nicht für die Verwendung in den USA und Kanada. Wenden Sie sich bei Fragen zu verfügbaren Kanälen in Ihrer Region an Ihren lokalen Samson Händler.

Fehlerbehebung

Problem	Lösungen
Kein Audio	Vergewissern Sie sich, dass der Sender und Empfänger eingeschaltet sind. the transmitter and receiver are both powered on.
	Vergewissern Sie sich, dass die Batterien des Senders korrekt eingelegt sind.
	Stellen Sie sicher, dass der Ton nicht abgeschaltet ist.
	Prüfen Sie, ob das CR88 Netzteil korrekt eingesteckt ist und richtig mit einer Steckdose verbunden ist.
	Schalten Sie den CR88 Empfänger ein.
	Vergewissern Sie sich, dass der CR88 Ausgang und Audio Eingangsanschlüsse sicher verbunden sind.
	Vergewissern Sie sich, dass sich der Empfänger und der Sender untereinander in Sichtlinie befinden.
	Prüfen Sie die Lautstärken des Empfängers und des Audio Eingangs.
	Stellen Sie sicher, dass der Sender und der Empfänger auf den gleichen Kanal eingestellt sind. Wenn Sie nicht sicher sind, stellen Sie den Kanal zurück, indem Sie eine IR Einstellung vornehmen.
Verzerrter Ton	Die Empfänger-Ausgangspegel oder Audio-Eingangspegel kann zu hoch sein.
	Prüfen Sie die Batterien und ersetzen Sie sie, falls sie schwach sein sollten.
	Die Eingangsverstärkung am Sender (CB88) oder Audio Pegel der Quelle kann zu hoch sein.
Audio Aussetzer	Der Sender kann ist eventuell zu weit vom Empfänger entfernt. Bewegen Sie ihn näher an den Empfänger oder positionieren Sie die Antennen neu.
	Entfernen oder vermeiden Sie Quellen, die RF Interferenzen verursachen könnten, wie etwa Mobiltelefone, kabellose Telefone, Lichtequipment, Computer, Metallstrukturen, etc.
Receiver lässt sich nicht einschalten	Überprüfen Sie den Adapter, um sicherzustellen, dass er richtig angeschlossen und mit einer Steckdose zur Stromversorgung verbunden ist.
Sender lässt sich nicht einschalten (LED leuchtet RED)	Ersetzen Sie die Batterien des Senders.
Unerwünschte Geräusche oder Störungen	Stellen Sie bei Verwendung mehrerer Systeme sicher, dass keines der Systeme auf dem gleichen Kanal arbeitet. Wenn das Problem weiterhin besteht, ändern Sie eine oder alle Kanäle der Systeme.

ENGLISH

FRANÇAIS

DEUTSCHE

ESPAÑOL

ITALIANO

Spezifikationen

System

Arbeitsbereich	300' (100m) Sichtlinie
Audio Frequenzgang	50 Hz - 15 kHz
T.H.D. (Insgesamt)	<1% (@AF 1 kHz, RF 46 dBu)
Dynamischer Bereich	>100 dB A-bewertet
Störabstand	>90 dB
Betriebstemperatur	-10°C (14°F) bis +60°C (+140°F)
Tone Key Frequenz	32.768 kHz

CB88 Sender mit Gürtelhalter

Eingangsanschlüsse	Mini-XLR (P3)
Eingangsimpedanz	1M Ω
Eingangsverstärkung	38 dB
RF Leistung	10 mW EIRP
Erforderlich Stromversorgung	Zwei AA (LR6) Alkaline Batterien
Batterie Lebensdauer	8 Stunden
Dimensionen (HxLxT)	3.75" x 2.44" x 0.75" 96mm x 62mm x 18.5mm
Gewicht	0.2 lb / 93 g

CH88 Tragbarer Sender

Mikrofon Element	Dynamik
Eingangsverstärkung	28 dB
RF Leistung	10 mW EIRP
Erforderlich Stromversorgung	Zwei AA (LR6) Alkaline Batterien
Batterie Lebensdauer	8 Stunden
Dimensionen (HxLxT)	10.23" x 2.1" 260mm x 54mm
Gewicht	0.48 lb / 218 g

CR88 Empfänger

Audio Ausgangslevel - Unsymmetrisch	+14 dBu
Audio Ausgangslevel - Symmetrisch	+9 dBu
Audio Ausgangsimpedanz - Unsymmetrisch	810 Ohm
Audio Ausgangsimpedanz - Symmetrisch	240 Ohm
Empfindlichkeit	-100 dBm / 30 dB sinad
Spiegelfrequenz	>50 dB
Betriebsspannung	15 VDC 200mA
Dimensionen (LxBxH)	8.25" x 4.9" x 1.75" 210mm x 125mm x 44mm
Gewicht	0.85 lb / 388 g

Wir bei Samson verbessern ständig unsere Produkte. Daher können Spezifikationen und Bilder ohne vorherige Ankündigung geändert werden.

FCC Verordnungen und Regelungen

Samson Funkempfänger werden nach FCC, Teil 15 zertifiziert und die Sender sind nach FCC Teil 74 zertifiziert.

Die Lizenzierung von Samson Ausrüstung liegt in der Verantwortung des Benutzers. Die Erteilung einer Lizenz hängt von der Klassifizierung des Benutzers, der Anwendung und der gewählten Frequenz ab.

ANMERKUNG: Dieses Equipment wurde getestet und entsprechend der FCC Regelungen, Teil 15, als mit der Class B Digital Device Grenzen konform eingestuft. Diese Grenzen wurden festgelegt, um einen angemessenen Schutz gegen gefährliche Interferenzen in einer Haushalts-Umgebung zu bieten. Dieses Equipment generiert, benutzt und kann Radiofrequenzen ausstrahlen und, wenn nicht entsprechend der Anweisungen installiert, kann es schädliche Interferenzen bei Radio-Kommunikationsgeräten hervorrufen. Bei keiner Installation können Störungen jedoch völlig ausgeschlossen werden. Wenn das Equipment starke Interferenzen bei Radio- und Fernseh-Equipment hervorruft, was durch Aus- und Einschalten des Equipments geprüft werden kann, wird dem Benutzer empfohlen, die Interferenzen durch eine oder mehrere der folgenden Maßnahmen zu unterbinden:

- Die Position oder die Richtung der Empfängerantenne ändern.
- Den Abstand zwischen Equipment und Receiver erhöhen.
- Das Equipment mit einer Steckdose eines anderen internen Kreises verbinden als den, mit dem der Empfänger verbunden ist.
- Fragen Sie Ihren Händler oder bitten Sie einen erfahrenen Radio- und Fernstechniker um Hilfe.

WARNUNG: Änderungen oder Modifikationen, die nicht ausdrücklich von der Institution genehmigt wurden, die für die Konformität mit den geltenden Verordnungen verantwortlich ist, können zum Verlust der Betriebserlaubnis des Geräts führen.

Dieses Gerät entspricht RSS-210 der Industrie & Wissenschaft Kanadas.

Der Betrieb unterliegt folgenden beiden Bedingungen:

- (1) dieses Gerät darf keine gefährlichen Störungen verursachen und
- (2) dieses Gerät muss Störungen akzeptieren, die einen unerwünschten Betrieb dieses Geräts verursachen können.

Dieses Gerät ist für den Einsatz in drahtlosen Mikrofonanwendungen gedacht.

Die Ausrüstung ist zum Verkauf in bestimmt: AT, BE, CH, CY, CZ*, DK, EE, FI*, FR*, DE*, GR*, HU, IE, IS, IT, LV, LT*, LU, MT*, NL, NO*, PL* PT, RO, SK, SI, ES, SE, UK

*Vorbehaltlich der Lizenz. Bitte kontaktieren Sie Ihren nationalen Frequenzbehörde Informationen zu verfügbaren Rechts Einsatz in Ihrer Nähe. Alle Änderungen oder Modifikationen, die nicht ausdrücklich von Samson Technologies Corp genehmigt wurden, um das Gerät zu betreiben.

Samson Technologies Corp. erklärt hiermit, dass diese Geräte, CR88, CH88, CB88, den grundlegenden Anforderungen und anderen relevanten Vorschriften der Richtlinie 1999/5/EC entsprechen.

Die Konformitätserklärung kann aufgerufen werden unter

http://www.samsontech.com/site_media/support/manuals/Concert_88_DOC.pdf

C €1797!

Información de Seguridad Importante



ATENCIÓN
¡RIESGO DE DESCARGA ELÉCTRICA!
¡NO ABRIR!

PRECAUCIÓN: CON EL FIN DE REDUCIR EL PELIGRO DE SACUDIDA ELÉCTRICA, NO RETIRE LA TAPA (O LA PARTE POSTERIOR). NO HAY PIEZAS CUYA REPARACIÓN PUEDA SER EFECTUADA POR EL USUARIO EN EL INTERIOR DEL APARATO. ENCARGUE LAS REPARACIONES A PERSONAL TÉCNICO DEBIDAMENTE CUALIFICADO.



Este símbolo de un relámpago con cabeza de flecha situado en el interior de un triángulo equilátero tiene como objeto alertar al usuario de la presencia de “tensión peligrosa” no aislada en el interior del alojamiento del producto que podría tener la magnitud suficiente para presentar un riesgo de sacudida eléctrica.



El símbolo de un signo de exclamación situado en el interior de un triángulo equilátero tiene como objeto alertar al usuario de la presencia de instrucciones de operación y mantenimiento importantes en la documentación que acompaña al aparato.

ADVERTENCIA

PARA EVITAR EL RIESGO DE INCENDIO O DESCARGA ELÉCTRICA. NO UTILICE EL ENCHUFE DE ESTE APARATO CON UN CABLE ALARGADOR, RECEPTÁCULO O SALIDA DE CORRIENTE A MENOS QUE LAS PATILLAS DEL ENCHUFE QUEDEN COMPLETAMENTE INTRODUCIDAS Y NO QUEDEN PARTES DE LAS MISMAS AL DESCUBIERTO. PARA EVITAR EL RIESGO DE INCENDIO O DESCARGA ELÉCTRICA. NO PERMITA QUE ESTE APARATO QUEDE EXPUESTO A LA LLUVIA O LA HUMEDAD. PARA EVITAR EL RIESGO DE DESCARGA ELÉCTRICA, COLOQUE E INTRODUZCA CORRECTAMENTE EL ENCHUFE EN LA UNIDAD.

ESTE DISPOSITIVO CUMPLE EL APARTADO 15 DE LAS NORMAS DE LA FCC – CLASE B. SU USO ESTÁ SUJETO AL CUMPLIMIENTO DE LAS DOS CONDICIONES SIGUIENTES: (1) ESTE DISPOSITIVO NO DEBE PROVOCAR INTERFERENCIAS, Y (2) ESTE DISPOSITIVO DEBE ACEPTAR CUALQUIER INTERFERENCIA QUE RECIBA, INCLUIDAS LAS INTERFERENCIAS QUE PUEDAN PROVOCAR UN FUNCIONAMIENTO NO DESEADO. ADECUADO PARA EL USO EN VIVIENDAS Y OFICINAS.



A la hora de deshacerse de este aparato al final de su vida de servicio, no lo elimine junto con la basura doméstica general. Existe un procedimiento específico para la eliminación de los aparatos electrónicos usados de manera conforme a la legislación actual que requiere el tratamiento, la recuperación y el reciclaje apropiados de los mismos.

Los usuarios no profesionales residentes en uno de los 28 estados miembro de la UE, en Suiza y en Noruega pueden devolver sus aparatos electrónicos usados, sin coste alguno, al comercio en el que fueron adquiridos (si se adquiere allí otro aparato similar) o a determinados centros designados para la recogida de residuos eléctricos y electrónicos.

En el caso de los países no indicados arriba, póngase en contacto con las autoridades locales para determinar el método de eliminación correcto.

Mediante la eliminación correcta de su aparato usado se asegurará de que éste se someta al tratamiento, la recuperación y el reciclaje apropiados, evitándose así los efectos adversos sobre el medio ambiente y la salud humana.

Información de Seguridad Importante

1. Lea cuidadosamente estas instrucciones.
2. Conserve estas instrucciones para cualquier consulta en el futuro.
3. Siga cuidadosamente todas las advertencias.
4. Observe y siga todas las instrucciones del fabricante.
5. No utilice este aparato cerca del agua.
6. Limpie el aparato solo con un trapo seco.
7. No bloquee las aperturas de ventilación. Instale el aparato de acuerdo con las instrucciones del fabricante.
8. No instale el aparato cerca de fuentes de calor como, por ejemplo, rejillas de calefacción, estufas u otros aparatos (incluyendo amplificadores) que produzcan calor.
9. No anule el sistema de seguridad del enchufe de tipo polarizado o con toma de tierra. Un enchufe polarizado tiene dos patillas, una más ancha que la otra. Un enchufe con toma de tierra tiene dos patillas normales y una tercera para la conexión a tierra. La patilla ancha o la tercera patilla se incluyen como medida de seguridad. Si el enchufe no encaja en su toma de corriente, llame a un electricista para que le cambie su toma anticuada.
10. Evite que el cable de corriente quede en una posición en la que pueda ser pisado o aplastado, especialmente en los enchufes, receptáculos y en el punto en el que sale de la unidad.
11. Utilice solo las conexiones/accesorios especificados por el fabricante.
12. Utilice solo el soporte de carro, el soporte de trípode o la mesa especificados por el fabricante o vendidos junto con el aparato. Si utiliza un

carro, es necesario que proceda con precaución a la hora de mover el conjunto del carro/aparato con el fin de evitar que vuelque y las lesiones personales que ello podría acarrearle.



13. Desenchufe este aparato durante las tormentas eléctricas o cuando no vaya a utilizarlo durante un período de tiempo prolongado.
14. Dirija cualquier posible reparación solo a personal técnico debidamente cualificado. Deberá hacer que su aparato sea reparado cuando esté dañado de cualquier manera, como por ejemplo si el cable de corriente o el enchufe están dañados, o si se han derramado líquidos, o se ha introducido algún objeto dentro de la unidad, si ésta ha quedado expuesta a la lluvia o la humedad, si no funciona normalmente o si ha caído al suelo.
15. Este aparato no debe exponerse al goteo o a las salpicaduras de líquidos. Tampoco deben colocarse sobre él objetos llenos de líquidos, como por ejemplo jarrones.
16. Atención - para evitar descargas eléctricas, introduzca totalmente las patillas del enchufe en las ranuras de la toma.
17. Mantenga este aparato en un entorno con buena ventilación.
18. El adaptador de corriente se utiliza como sistema de desconexión, por lo que debe colocarlo de forma que pueda accederse fácilmente a él.
19. Las baterías (pila, pilas o batería) no deben exponerse a un calor excesivo, como por ejemplo la luz solar directa, el fuego, etc.

Índice

Introducción69
Características del Sistema70
Componentes del Sistema70
Recorrido Guiado - Receptor CR8871
Recorrido Guiado - Transmisor de Petaca CB8873
Recorrido Guiado - Transmisor Manual CH8875
Inicio Rápido - Configuración de Sistema Simple76
Inicio Rápido - Configuración de Sistemas Múltiples.80
Montaje en Rack82
Planes de Canales del Concert 8883
Localización de Fallos84
Especificaciones85

Introducción

Le felicitamos por haber adquirido el sistema inalámbrico Concert 88 de Samson. El Concert 88 es la solución ideal para el intérprete activo que necesite un sistema fiable y que ofrezca un sonido extraordinario para aplicaciones inalámbricas. De sencillo manejo, con 16 canales disponibles y set de infrarrojos para el canal transmisor, los preparativos necesarios para comenzar a utilizar el Concert 88 tan solo le llevarán algunos minutos. El sistema Concert 88 asegura una actuación con un sonido nítido y libre de interrupciones gracias a la combinación de clave de tono con silenciador automático. Esta configuración permite que solo pase el audio del transmisor a través del receptor, silenciando la salida si hay alguna interferencia.

El Concert 88 viene en cuatro configuraciones. El sistema manual vocal incluye el transmisor manual CH88 y la cápsula de micrófono dinámico. El sistema de petaca CB88 puede configurarse con el micrófono de diadema HS5, el micrófono Lavalier LM5 o un cable de instrumento de ¼". Para la instalación permanente o móvil, el Concert 88 incluye un kit de montaje en rack de 19" estándar.

En estas páginas, encontrará una descripción detallada de las características del Concert 88, así como un recorrido guiado por su panel de

control, instrucciones paso-a-paso para su configuración y uso y las especificaciones técnicas completas del dispositivo. Si ha adquirido su sistema inalámbrico en los Estados Unidos, también encontrará una tarjeta de garantía – no olvide rellenarla y enviárnosla por correo para que pueda recibir soporte técnico online y para que le podamos ofrecer información actualizada sobre éste y otros productos de Samson en el futuro. Además, no deje de visitar nuestra web (www.samsontech.com) para ver toda la información sobre nuestra línea de productos.

Le recomendamos que anote los datos indicados en las líneas siguientes y los conserve junto con una copia de su factura de compra.

Número de Serie del Receptor: _____

Número de Serie del Transmisor: _____

Fecha de compra: _____

Nombre del distribuidor: _____

Con unos cuidados y mantenimiento adecuados, su sistema inalámbrico Concert 88 funcionará sin ningún problema durante muchos años. En el caso improbable de que en algún momento tuviera que reparar este aparato, deberá solicitarnos un número de Autorización de Devolución (RA) para poder enviar su unidad a Samson. Sin este número no se aceptará el aparato. Póngase en contacto con Samson en el número 1-800- 3SAMSON (1-800-372-6766) para que le facilitemos este número de autorización de devolución antes de enviarnos la unidad. Si fuera posible, conserve el embalaje original y los materiales de protección para devolvernos la unidad dentro de ellos. Si compró su unidad fuera de los Estados Unidos, póngase en contacto con su distribuidor en lo relativo a los detalles de la garantía y la información de servicio.

Características del Sistema

- Sistema inalámbrico profesional para el uso tanto en aplicaciones de sonido en directo como de estudio.
- La tecnología True Diversity maximiza el rango activo (hasta 100 metros) y reduce los posibles problemas de interferencias.
- 16 canales disponibles, todos ellos funcionando en el ancho de banda UHF, para la máxima compatibilidad de sistemas en la misma ubicación sin interferencias
- El receptor CR88 es una unidad con un tamaño de medio rack que puede ser utilizado solo o bien montado en cualquier rack de 19" estándar, haciendo que sea más fácil integrarlo en cualquier instalación de sistema de sonido fijo o móvil
- La clave de tono y el silenciador automático aseguran una actuación con un sonido nítido y libre de interrupciones, permitiendo que solo pase el audio del transmisor a través del receptor y silenciando la salida si hay alguna interferencia
- Rango operativo de hasta 100 metros (línea de visión)
- Hasta ocho horas de vida de las pilas, utilizando dos pilas AA estándar

Componentes del Sistema

Todos los sistemas

Receptor CR88

Alimentación

Cable de audio ¼" a ¼"

Accesorios de Rack - Orejeta de rack larga, orejeta de rack corta, dos adaptadores para receptor

Manual del Usuario

Sistema manual

Transmisor manual CH88 con cápsula de micrófono dinámico

Sistema de diadema

Transmisor de petaca CB88

Micrófono de diadema HS5 con conector mini-XLR

Sistema Lavalier

Transmisor de petaca CB88

Micrófono Lavalier LM5 con conector mini-XLR

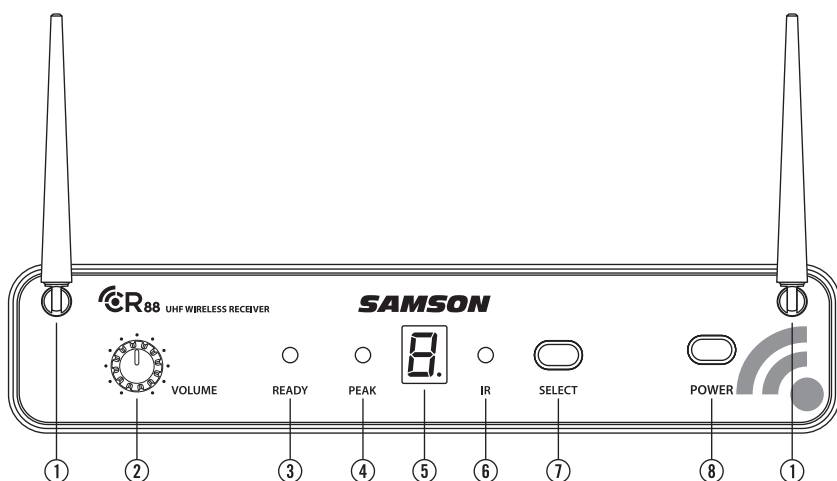
Pinza para corbata

Sistema de instrumento

Transmisor de petaca CB88

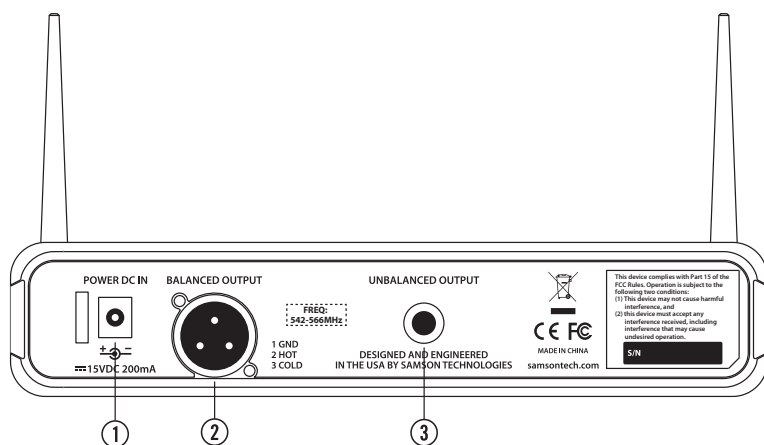
Cable de instrumento ¼" a mini-XLR

Recorrido Guiado - Receptor CR88

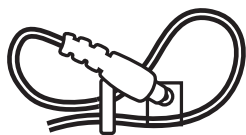


- 1. Antenas** - Las monturas de las antenas permiten la rotación completa de las mismas para un posicionamiento óptimo. Durante el funcionamiento normal de la unidad, las dos antenas deben colocarse en posición vertical. Las dos antenas pueden plegarse para facilitar el transporte del CR88.
- 2. Control de VOLUMEN** - Este mando ajusta el nivel de la señal audio que está siendo transmitida a través tanto de los conectores de salida balanceados como no balanceados del panel trasero. El nivel de referencia se obtiene cuando se gira el mando completamente en el sentido de las agujas del reloj (hasta su posición "10").
- 3. Indicador READY (PREPARADO)** - Este indicador se ilumina en color verde cuando el CR88 recibe la señal de RF y el sistema está listo para ser utilizado.
- 4. Indicador PEAK (PICO)** - Este indicador se ilumina en color rojo cuando se produce una sobrecarga de la señal de audio transmitida.
- 5. Visualización LED** - La visualización LED de 7 segmentos indica el canal operativo actual del receptor. Los canales del CR88 se indican mediante 0-9 y A-F.
- 6. Transmisor IR** - Durante el "AJUSTE IR", se utiliza una luz infrarroja para ajustar el canal del transmisor.
- 7. Botón SELECT (SELECCIÓN)** - Pulse este botón para seleccionar el canal operativo del receptor que desee. Pulse y mantenga pulsado este botón para enviar la información del canal al transmisor mediante transmisión infrarroja.
- 8. Interruptor de ENCENDIDO** - Utilice este interruptor para encender y apagar el CR88.

Recorrido Guiado - Receptor CR88

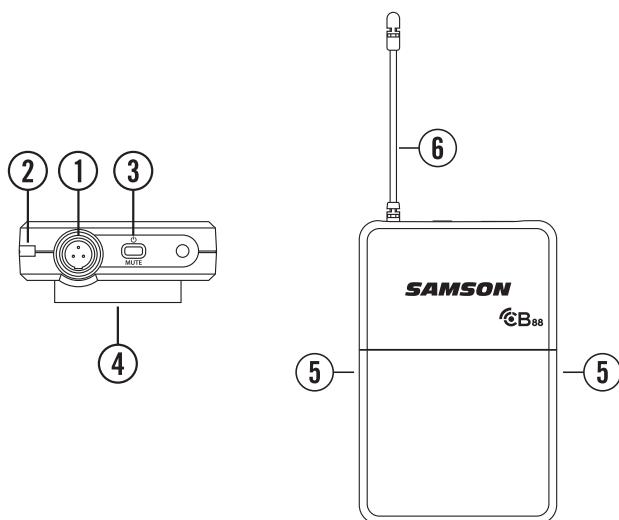


1. **Entrada de CC** - Conecte aquí el adaptador de corriente incluido, utilizando la pestaña anti-tirones tal como se muestra en la ilustración de abajo. **ADVERTENCIA:** No utilice nunca un adaptador de alimentación de otro tipo, ya que ello podría provocar daños graves en el CR88 y la anulación de la garantía.
2. **SALIDA BALANCEADA** - Utilice este conector XLR balanceado electrónicamente y de baja impedancia (600 Ohmios) cuando conecte el CR88 a aparatos de audio profesional (+4dBu). El cableado de las puntas es el siguiente: Punta 1 masa, Punta 2 alto (vivo o activo) y punta tres bajo (frío o pasivo).
3. **SALIDA NO BALANCEADA** - Utilice este conector de 1/4" no balanceado de alta impedancia (5K Ohmios) cuando conecte el CR88 a aparatos de sonido no profesionales (-10dBV). El cableado es el siguiente: punta-vivo, lateral-masa.



Uso de la pestaña anti-tirones: Forme un bucle con parte del cable y páselo a través de la pestaña. A continuación, pase el conector del adaptador a través del bucle para hacer un nudo.

Recorrido Guiado - Transmisor de Petaca CB88



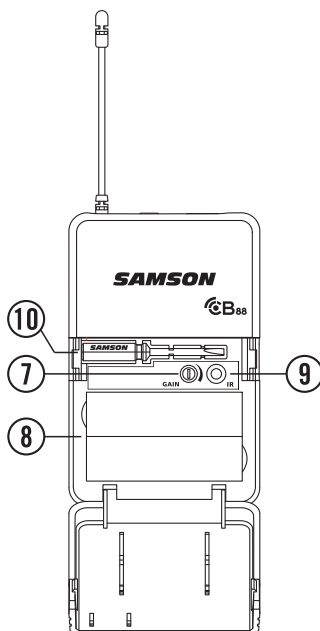
1. **Conector de Entrada** - Conecte el dispositivo de entrada a través del conector mini-XLR. El CB88 se suministra con un micrófono Lavalier, un micrófono de diadema o un cable de instrumento de ¼".

2. **Indicador de Estado** - Este LED indica el modo de funcionamiento:

VERDE	Funcionamiento Normal
ROJO	Silenciado
VERDE Parpadeante	Batería Baja

- 3.
4. **Interruptor de Encendido/Silenciador** - Pulse y mantenga pulsado este botón para encender y apagar la unidad. Púlselo sin mantenerlo pulsado para activar o desactivar el modo de silencio del transmisor.
5. **Pinza para Correa** - Utilice esta pinza para fijar el transmisor CB88 al cinturón o a la correa de una guitarra.
6. **Mecanismo de Apertura de la Tapa de la Pila** - Empuje en ambos lados de la tapa de la pila y tire de ella hacia fuera para abrirla.
7. **Antena** - Esta antena de transmisión fijada permanentemente a la unidad debe extenderse completamente durante el funcionamiento normal.

Recorrido Guiado - Transmisor de Petaca CB88



8. **Control de GANANCIA de Entrada** - Este control ajusta la sensibilidad de entrada del transmisor para el funcionamiento con las entradas de micrófono e instrumentos. Para un rendimiento óptimo, utilizando el destornillador incluido ajuste el control de GANANCIA de entrada en el punto en el que vea que el indicador PEAK del CR88 comienza a iluminarse a niveles altos y redúzcalo lentamente a continuación hasta que la luz de PEAK se apague.
9. **Receptáculo de las Pilas** - Inserte aquí dos pilas AA (LR6) estándar asegurándose de colocar correctamente los polos positivo y negativo según las marcas. Si bien es posible utilizar también pilas de níquel-cadmio recargables, tenga en cuenta que este tipo de pilas no suministran la corriente adecuada durante más de cuatro horas. ADVERTENCIA: No coloque las pilas al revés; ello podría provocar daños graves en el CR88 y la anulación de la garantía.
10. **Lente IR** - Esta ventana se utiliza para capturar la señal infrarroja enviada desde el CR88 durante el AJUSTE IR para ajustar el canal del transmisor.
11. **Destornillador de Plástico** - Diseñado para utilizarse en el ajuste del control de GANANCIA de entrada del CB88 (Consultar # Input GAIN Control 13).

Recorrido Guiado - Transmisor Manual CH88

- Indicador de Estado** - Este LED indica el modo de funcionamiento:

VERDE	Funcionamiento Normal
ROJO	Silenciado
VERDE Parpadeante	Batería Baja

- Interruptor de Encendido/Silenciador** -

Pulse y mantenga pulsado este botón para encender y apagar la unidad. Púlselo sin mantenerlo pulsado para activar o desactivar el modo de silencio del transmisor.

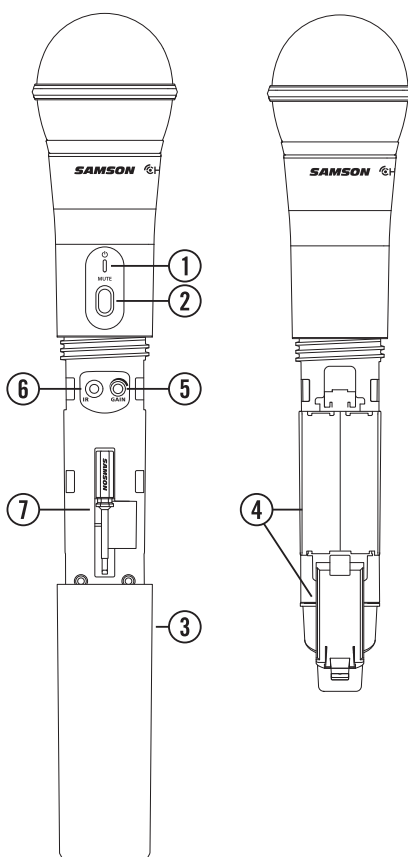
- Tapa de las Pilas** - Desatornille la tapa de la pila y deslícela hacia abajo para abrir el compartimento de las pilas del CH88.

- Receptáculo de las Pilas** - Abra el receptáculo de las pilas presionando la lengüeta y levantando la tapa. Inserte dos pilas AA (LR6) estándar asegurándose de colocar correctamente los polos positivo y negativo según las marcas. Si bien es posible utilizar también pilas de níquel-cadmio recargables, tenga en cuenta que este tipo de pilas no suministran la corriente adecuada satisfactoria durante más de cuatro horas. **ADVERTENCIA:** No coloque las pilas al revés; ello podría provocar daños graves en el CH88 y la anulación de la garantía.

- Control de GANANCIA de Entrada**- Este control ajusta la sensibilidad de entrada del transmisor. Para un rendimiento óptimo, utilizando el destornillador incluido ajuste el control de GANANCIA de entrada en el punto en el que vea que el indicador PEAK del CR88 comienza a iluminarse a niveles altos y redúzcalo lentamente a continuación hasta que la luz de PEAK se apague.

- Lente IR** - Esta ventana se utiliza para capturar la señal infrarroja enviada desde el CR88 durante el AJUSTE IR para ajustar el canal del transmisor. La tapa de la batería debe estar abierta y la Lente IR debe estar orientada hacia el receptor para cargar el canal seleccionado.

- Destornillador de Plástico** - Diseñado para utilizarse en el ajuste del control de GANANCIA de entrada del CB88 (Consultar #5 Control de GANANCIA de Entrada HH).



ENGLISH

FRANÇAIS

DEUTSCHE

ESPAÑOL

ITALIANO

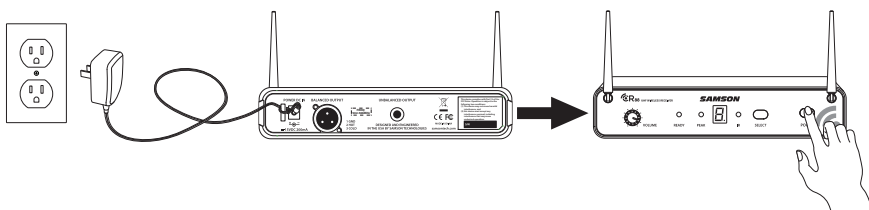
Inicio Rápido - Configuración de Sistema Simple

Para que su sistema inalámbrico funcione correctamente, el receptor y el transmisor deben estar ajustados en el mismo canal.

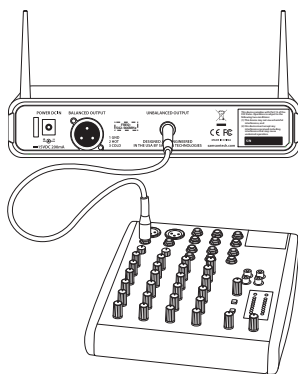
Siga el procedimiento básico que se indica a continuación para configurar y utilizar su sistema inalámbrico Concert 88:

Coloque físicamente el receptor del CR88 en el lugar en el que vaya a utilizarse y extienda las antenas verticalmente. La regla general es que se debe intentar mantener la "línea de visión" entre el receptor y el transmisor, de tal forma que la persona que utilice o lleve el transmisor pueda ver en todo momento el receptor.

Con el interruptor de Encendido encendido y con la alimentación del CR88 desconectada, conecte el adaptador de corriente incluido. Encienda el CR88 momentáneamente para confirmar que la unidad reciba alimentación. Verá que la visualización LED se ilumina. A continuación apague el CR88.

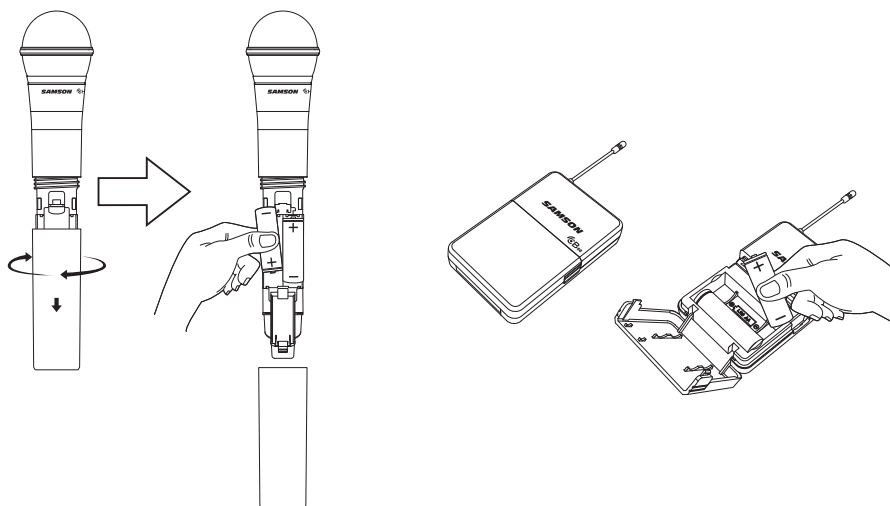


Con su amplificador o mezclador apagado y con el control de volumen en el nivel mínimo, conecte el conector de salida del receptor CR88 a la entrada de nivel de línea o micro de un mezclador o amplificador utilizando la salida XLR balanceada o la salida de nivel de línea de 1/4" no balanceada. Gire el mando de Nivel del CR88 totalmente en el sentido contrario a las agujas del reloj y desconecte a continuación su alimentación.

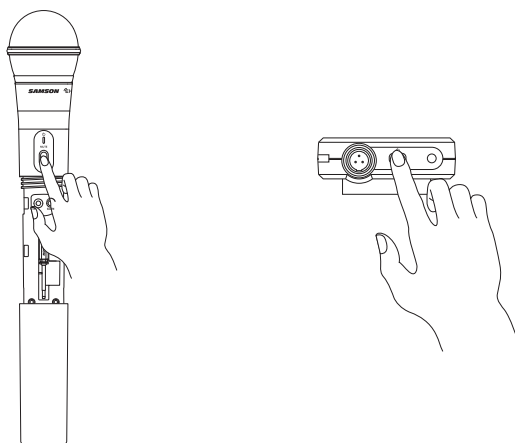


Inicio Rápido - Configuración de Sistema Simple

Con el transmisor apagado, instale dos pilas AA nuevas en el transmisor de petaca CB88 o en el transmisor manual CH88. Deje el compartimento de las pilas abierto.

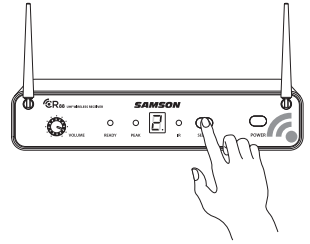


Conecte la alimentación al transmisor pulsando y mantenimiento pulsado el interruptor de Encendido; el LED indicador se iluminará en color verde.

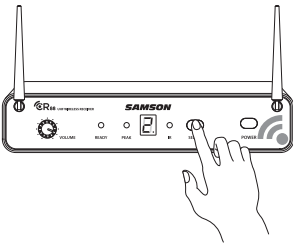


Inicio Rápido - Configuración de Sistema Simple

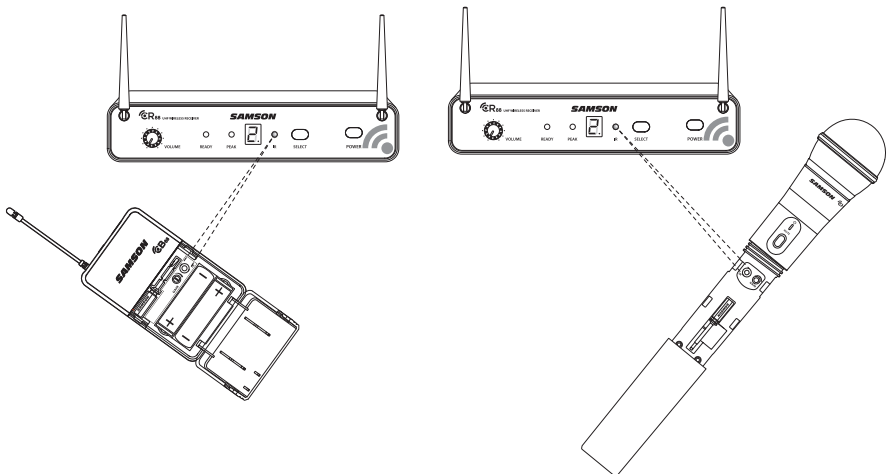
Pulse el botón SELECT en la parte frontal del receptor CR88 para seleccionar un canal disponible. El número de canal se incrementará un dígito, de 0 a 9, y después de A a F. Cuando se haya alcanzado el último canal, el número de canal volverá a situarse en 0.



Coloque el transmisor a una distancia de aproximadamente 15-30 cm de la parte frontal del CR88 con la ventana IR del transmisor orientada hacia el transmisor IR del panel frontal del receptor CR88.

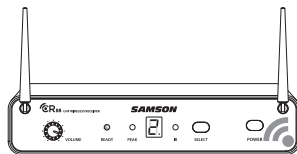


Pulse y mantenga pulsado el botón SELECT del CR88 para ajustar el transmisor en el mismo canal que el receptor mediante transmisión infrarroja.

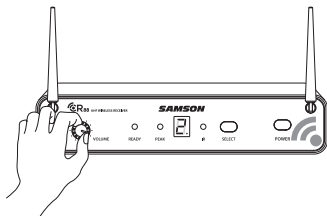


Inicio Rápido - Configuración de Sistema Simple

Una vez finalizada la transmisión, el CR88 recibirá la señal de RF y la clave de tono del transmisor. El indicador READY se iluminará en el panel frontal del receptor CR88.



Encienda su amplificador o mezclador conectado, pero mantenga el volumen en el nivel mínimo. Gire el mando de Volumen del CR88 totalmente en el sentido contrario a las agujas del reloj (hasta su posición "10"). Ésta es la ganancia unitaria.



Hable o cante al micrófono o, si está utilizando el transmisor con un instrumento conectado, toque el instrumento con una intensidad del sonido normal. Suba lentamente el volumen de su amplificador o mezclador hasta alcanzar el nivel deseado.

Si observa que el sistema sufre interrupciones evidentes, su rango operativo es menor del que debiera o se producen estallidos sonoros imprevistos, cambie el canal operativo del sistema siguiendo los pasos indicados anteriormente.

ENGLISH

FRANÇAIS

DEUTSCHE

ESPAÑOL

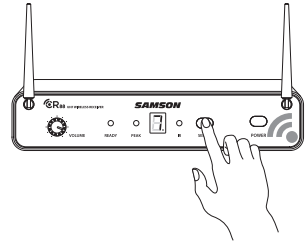
ITALIANO

Inicio Rápido - Configuración de Sistemas Múltiples

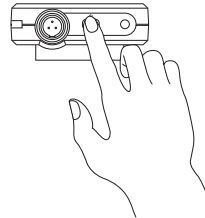
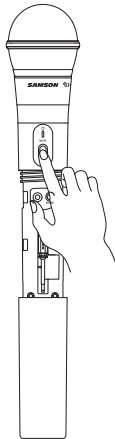
Cuando se utilicen múltiples sistemas, cada sistema debe ajustarse en un canal operativo diferente. Los pares de transmisor y receptor deben estar en el mismo canal para operar juntos (Consultar "Planes de Canales del Concert 88" en la página 83).

Cuando se ajuste un transmisor adicional, es necesario cerrar los compartimentos de la pila de todos los demás transmisores para asegurar que la Lente IR esté cubierta.

Para cambiar el canal operativo de un sistema, pulse el botón SELECT en la parte frontal de receptor CR88. El número de canal se incrementará un dígito, de 0 a 9, y después de A a F. Cuando se haya alcanzado el último canal, el número de canal volverá a situarse en 0.

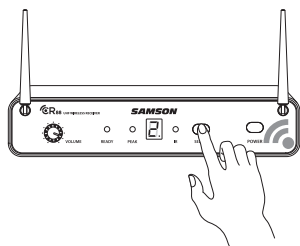


Conecte la alimentación al transmisor pulsando y mantenimiento pulsado el interruptor de Encendido; el LED indicador se iluminará en color verde.

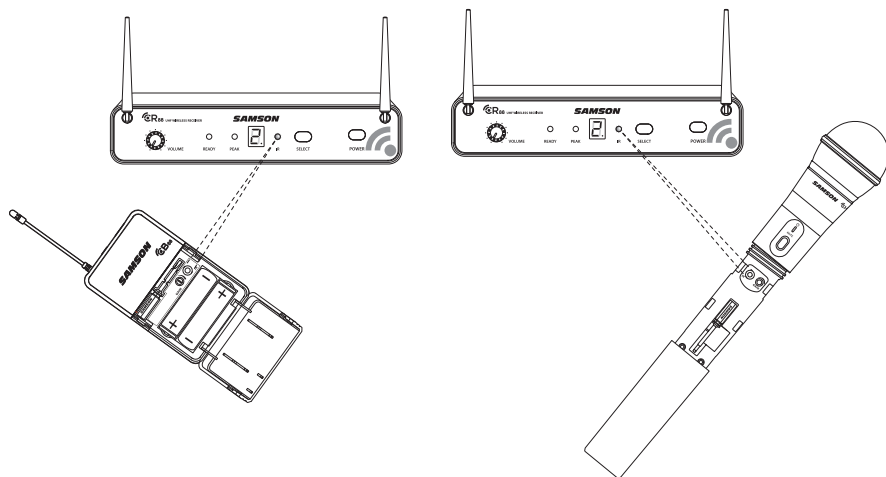


Inicio Rápido - Configuración de Sistemas Múltiples

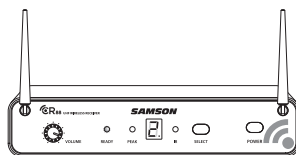
Coloque el transmisor a una distancia de aproximadamente 15-30 cm de la parte frontal del CR88 con la ventana IR del transmisor orientada hacia el transmisor IR del receptor.



Pulse y mantenga pulsado el botón SELECT del CR88 para ajustar el transmisor en el mismo canal que el receptor mediante transmisión infrarroja.



Cuando haya finalizado la transmisión y el CR88 esté recibiendo la señal de RF del transmisor, el indicador READY se iluminará en el panel frontal del receptor CR88.



Si observa que el sistema sufre interrupciones evidentes, su rango operativo es menor del que debiera o se producen estallidos sonoros imprevistos, cambie el canal operativo del sistema siguiendo los pasos indicados anteriormente.

ENGLISH

FRANÇAIS

DEUTSCHE

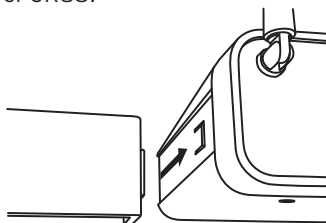
ESPAÑOL

ITALIANO

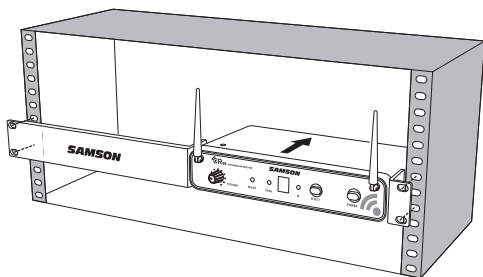
Montaje en Rack

El receptor CR88 puede instalarse en un rack de 19" estándar para el transporte o la instalación permanente utilizando las orejetas de rack incluidas. Siga los pasos sencillos que se indican a continuación para montar el CR88:

Fije las orejetas de rack incluidas introduciendo cada una de ellas en la ranura de cada lado del CR88 hasta que queden bloqueadas en su posición y el receptor esté alineado con el panel frontal.

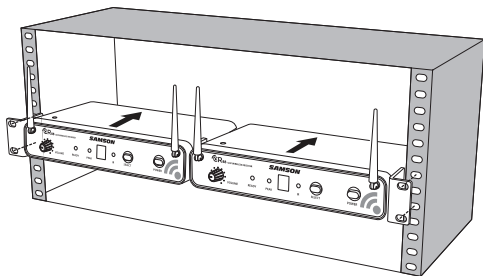


Coloque el receptor CR88 en un espacio de rack disponible y deslícelo hasta que las orejetas entren en contacto con los rieles de la caja de rack y estén alineadas con los agujeros del riel de rack.



Monte el receptor en el rack utilizando tornillos de rack del tamaño apropiado (no incluidos). Para asegurar el equilibrio y la distribución uniforme de las tensiones al instalar el receptor, apriete los tornillos siguiendo un patrón cruzado de esquinas opuestas: superior izquierda -> inferior derecha -> superior derecha -> inferior izquierda.

Para montar dos receptores CR88 en un espacio de rack, el sistema incluye una pieza de conexión central. Introduzca la pieza de conexión central en la ranura de cada receptor y fije las orejetas de rack cortas a cada receptor. Monte los receptores en el rack utilizando el patrón de apriete cruzado indicado anteriormente.



Planes de Canales del Concert 88

Group A* 925-938 MHz		Group B* 806-809 MHz		Group C 638-662 MHz		Group D 542-566 MHz		Group F* 606-630 MHz		Group G* 863-865 MHz	
Canal	Frec.	Canal	Frec.	Canal	Frec.	Canal	Frec.	Canal	Frec.	Canal	Frec.
0	925,125	0	806,125	0	638,125	0	542,125	0	606,125	0	863,050
1	925,850	1	806,375	1	639,625	1	543,625	1	607,625	1	863,250
2	926,575	2	807,125	2	641,050	2	545,05	2	609,05	2	863,550
3	927,300	3	807,750	3	642,425	3	546,425	3	610,425	3	863,750
4	928,025	4	809,000	4	642,900	4	546,900	4	610,900	4	864,050
5	928,750	5	809,500	5	645,525	5	549,525	5	613,525	5	864,250
6	929,475	6	806,250	6	647,100	6	551,100	6	615,100	6	864,550
7	930,200	7	806,500	7	648,475	7	552,475	7	616,475	7	864,750
8	932,300	8	807,000	8	650,000	8	554,000	8	618,000	8	864,950
9	933,000	9	807,875	9	652,075	9	556,075	9	620,075		
A	933,725	A	808,500	A	654,975	A	558,975	A	622,975		
B	934,450	B	808,875	B	655,975	B	559,975	B	623,975		
C	935,175	C	806,625	C	657,050	C	561,050	C	625,050		
D	935,900	D	806,875	D	658,975	D	562,975	D	626,975		
E	936,625	E	807,375	E	660,425	E	564,425	E	628,425		
F	937,350	F	808,25	F	661,975	F	565,975	F	629,975		

* No para el uso en Estados Unidos y Canadá. Para cualquier pregunta en lo relativo a los canales disponibles en su área, póngase en contacto con su distribuidor de Samson local.

Localización de Fallos

Problema	Soluciones
No Hay Audio	Compruebe que el transmisor y el receptor estén encendidos.
	Compruebe que las pilas del transmisor estén instaladas correctamente.
	Compruebe que el transmisor no esté silenciado.
	Compruebe que el adaptador del CR88 esté bien conectado y enchufado a una toma eléctrica.
	Encienda el receptor CR88.
	Compruebe que las conexiones de salida de audio del CR88 estén bien conectadas.
	Compruebe que el receptor y el transmisor mantengan la línea de visión entre ellos.
	Compruebe los controles de nivel del receptor y del dispositivo de entrada de audio.
	Compruebe que el transmisor y el receptor estén ajustados en el mismo canal operativo. En caso de duda, restaure el canal efectuando un ajuste IR.
Audio Distorsionado	El nivel de salida del receptor o el nivel del dispositivo de entrada de audio podría ser demasiado alto.
	Compruebe las pilas del transmisor y reemplácelas si fuera necesario.
	La ganancia de entrada del transmisor (CR88) o el nivel de la fuente de audio podría ser demasiado alto.
Pérdidas de Audio	El transmisor podría estar demasiado lejos del receptor. Acérquelo al receptor o modifique la posición de las antenas.
	Elimine las fuentes que pudieran causar interferencias, como por ejemplo teléfonos móviles, teléfonos inalámbricos, equipos de iluminación, ordenadores, estructuras metálicas, etc.
El Receptor no se Enciende	Compruebe que el adaptador esté bien conectado y enchufado a una toma eléctrica que suministre alimentación.
El transmisor no se enciende (el LED se ilumina en color ROJO).	Cambie las pilas del transmisor.
Ruidos o Interferencias	Si se están utilizando múltiples canales, asegúrese de que no haya sistemas que estén operando en el mismo canal. Si el problema persiste, cambie uno o todos los canales de los sistemas.

Especificaciones

Sistema

Rango Operativo	100 m (línea de visión)
Respuesta de Frecuencia de Audio	50 Hz - 15 kHz
T.H.D. (Global)	<1% (@AF 1 kHz, RF 46 dBu)
Rango Dinámico	>100 dB ponderado A
Señal a Ruido	>90 dB
Temperatura de Funcionamiento	-10°C (14°F) a +60°C (+140°F)
Frecuencia de Clave de Tono	32,768 kHz

Transmisor de Petaca CB88

Conector de Entrada	Mini-XLR (P3)
Impedancia de Entrada	1M Ω
Rango de Ganancia de Entrada	38 dB
Potencia de RF	10 mW EIRP
Requisitos de Alimentación	Dos pilas alcalinas AA (LR6)
Vida de las Pilas	8 horas
Dimensiones (A x L x F)	96mm x 62mm x 18,5mm (3,75" x 2,44" x 0,75")
Peso	93 g / 0,2 libras

Transmisor Manual CH88

Elemento de Micrófono	Dinámico
Rango de Ganancia de Entrada	28 dB
Potencia de RF	10 mW EIRP
Requisitos de Alimentación	Dos pilas alcalinas AA (LR6)
Vida de las Pilas	8 horas
Dimensiones (A x Ø)	260mm x 54mm (10,23" x 2,1")
Peso	218 g / 0,48 libras

Receptor CR88

Nivel de Salida de Audio	+14 dBu no balanceado
Nivel de Salida de Audio	+9 dBu balanceado
Impedancia de Salida de Audio	810 Ohmios no balanceado
Impedancia de Salida de Audio	240 Ohmios balanceado
Sensibilidad	-100 dBm / 30 dB sinad
Rechazo de Imagen	>50 dB
Tensión de Funcionamiento	15 V CC 200mA
Dimensiones (A x L x F)	210mm x 125mm x 44mm (8,25" x 4,9" x 1,75")
Peso	388 g / 0,85 libras

En Samson mejoramos continuamente nuestros productos y debido a ello las especificaciones y las imágenes pueden ser objeto de cambios sin previo aviso.

Normas y Regulaciones de la FCC

Los receptores inalámbricos de Samson están certificados de acuerdo con el apartado 15 de las Normas de la FCC y los transmisores están certificados de acuerdo con el apartado 74 de las Normas de la FCC.

La obtención de las licencias de operación para los equipos de Samson es responsabilidad del usuario y la otorgabilidad de las licencias dependerá de la clasificación y la aplicación del usuario y de la frecuencia seleccionada.

NOTA: Se ha verificado que este aparato cumple con los límites establecidos para un dispositivo digital de Clase B, de acuerdo a lo establecido en la Sección 15 de las Normas FCC. Estos límites han sido diseñados para ofrecer una protección razonable contra las interferencias molestas en instalaciones residenciales. Este aparato genera, utiliza y puede emitir energía de radiofrecuencia y, si no se instala y utiliza de acuerdo con las instrucciones, puede producir interferencias molestas en las comunicaciones de radio. No obstante, no está garantizado que estas interferencias no se produzcan en una instalación concreta. Si este aparato produce interferencias molestas en la recepción de la radio o la televisión, lo cual podrá comprobar fácilmente apagando y encendiendo este aparato, el usuario será el responsable de tratar de corregir dichas interferencias por medio de una o más de las siguientes medidas:

- Reoriente o reubique la antena receptora.
- Aumente la distancia de separación entre este aparato y el receptor.
- Conecte este aparato a una salida de corriente o regleta distinta a la que esté conectado el receptor.
- Pida consejo a un técnico especialista en radio/TV o en el establecimiento en el que adquirió el producto.

ADVERTENCIA: Los cambios o modificaciones no aprobados expresamente por el responsable del cumplimiento normativo podrían anular la autorización del usuario para utilizar el equipo.

Este dispositivo cumple la Norma RSS-210 de Industry & Science Canada.

Su funcionamiento está sujeto a las dos condiciones siguientes:

(1) este dispositivo no debe provocar interferencias y (2) este dispositivo debe aceptar cualquier interferencia que reciba, incluidas las interferencias que puedan provocar un funcionamiento no deseado.

Este equipo está diseñado para uso en aplicaciones de micrófonos inalámbricos.

El equipo está destinado a la venta en: AT, BE, CH, CY, CZ*, DK, EE, FI*, FR*, DE*, GR*, HU, IE, IS, IT, LV, LT*, LU, MT*, NL, NO*, PL* PT, RO, SK, SI, ES, SE, UK

*Con sujeción a licencia. Comuníquese con la autoridad nacional de frecuencias para obtener información sobre el uso legal disponibles en su área. Cualquier cambio o modificación no aprobados expresamente por Samson Technologies Corp. podrían anular su autoridad para operar el equipo.

Por el presente, Samson Technologies Corp., declara que los aparatos CR88, CH88 y CB88 cumplen los requisitos esenciales y otras disposiciones relevantes de la Directiva 1999/5/CE. La declaración de conformidad puede consultarse en http://www.samsontech.com/site_media/support/manuals/Concert_88_DOC.pdf

C E1797 

Informazioni importanti sulla sicurezza



ATTENZIONE RISCHIO DI FOLGORAZIONE! NON APRIRE!

ATTENZIONE: PER RIDURRE IL RISCHIO DI FOLGORAZIONE NON ASPORTARE IL COPERCHIO (O LA PARTE POSTERIORE). IL DISPOSITIVO NON CONTIENE COMPONENTI RIPARABILI DALL'UTENTE. PER LE RIPARAZIONI RIVOLGERSI A PERSONALE DI ASSISTENZA QUALIFICATO.



Il simbolo del fulmine con la punta a forma di freccia all'interno di un triangolo equilatero ha lo scopo di avvisare l'utente della presenza di "tensioni pericolose" non isolate nella cassa del prodotto, di ampiezza sufficiente a costituire un rischio di folgorazione.



Il punto esclamativo all'interno di un triangolo equilatero ha lo scopo di avvisare l'utente della presenza di importanti istruzioni di funzionamento e manutenzione nella documentazione a corollario dell'apparecchio.

AVVERTIMENTO

PER SCONGIURARE IL PERICOLO DI INCENDI O FOLGORAZIONI NON UTILIZZARE QUESTA SPINA CON UNA PROLUNGA, UNA PRESA DI CORRENTE O ALTRE USCITE A MENO CHE LE LAME NON POSSANO ESSERE INSERITE COMPLETAMENTE PER EVITARNE L'ESPOSIZIONE. PER SCONGIURARE IL PERICOLO DI INCENDI O FOLGORAZIONI NON ESPORRE L'APPARECCHIO ALLA PIOGGIA O ALL'UMIDITÀ. PER EVITARE FOLGORAZIONI INSERIRE COMPLETAMENTE LA LAMA LARGA DELLA SPINA NELLA FESSURA LARGA DELLA PRESA.

IL PRESENTE DISPOSITIVO È CONFORME CON LA PARTE 15 DELLE NORME FCC CLASSE B. IL FUNZIONAMENTO È SOGGETTO ALLE SEGUENTI DUE CONDIZIONI: (1) IL DISPOSITIVO NON DEVE CAUSARE INTERFERENZE DANNOSE E (2) IL DISPOSITIVO DEVE ACCETTARE QUALSIASI INTERFERENZA RICEVUTA, COMPRESE QUELLE CHE POTREBBERO PROVOCARNE IL FUNZIONAMENTO INDESIDERATO. ADATTO PER USO DOMESTICO O IN UFFICIO.



Se si desidera smaltire il prodotto, non gettarlo con i rifiuti domestici generici. Esiste un sistema di raccolta separato per i prodotti elettronici usati conformemente alla normativa che richiede un trattamento, un recupero e un riciclo corretti.

Gli utenti privati residenti nei ventotto stati membri dell'UE, in Svizzera e in Norvegia possono portare gratuitamente i propri prodotti elettronici usati presso strutture di raccolta a ciò preposte o a un rivenditore (se si acquista un apparecchio nuovo analogo).

Per i Paesi non ricordati sopra, contattare le autorità locali per conoscere il metodo di smaltimento corretto.

Facendo ciò si garantirà che il prodotto smaltito sia sottoposto al trattamento, al recupero e al riciclo necessari, evitando così possibili conseguenze negative per l'ambiente e la salute umana.

Informazioni importanti sulla sicurezza

1. Leggere le presenti istruzioni.
2. Conservare le presenti istruzioni.
3. Prestare attenzione a tutte le avvertenze.
4. Seguire tutte le istruzioni.
5. Non utilizzare l'apparecchio vicino all'acqua.
6. Pulire unicamente con un panno asciutto.
7. Non bloccare alcuna delle aperture di ventilazione. Eseguire l'installazione conformemente alle istruzioni della società produttrice.
8. Non installare nei pressi di sorgenti di calore come termosifoni, registri di calore, stufe o altri apparecchi (compresi gli amplificatori) che producono calore.
9. Non ignorare lo scopo di sicurezza della spina polarizzata o con messa a terra. Una spina polarizzata ha due lame, una più ampia dell'altra. Una spina con messa a terra ha due lame e un terzo connettore di messa a terra. La lama larga, o il terzo polo, è inserita/o per la sicurezza dell'utente. Se la spina in dotazione non è adatta per la propria presa, consultare un elettricista per sostituire la presa obsoleta.
10. Proteggere il cavo di alimentazione in modo che non venga calpestato o schiacciato, soprattutto in corrispondenza delle spine, dei connettori e del punto in cui esce dall'apparecchio.
11. Usare soltanto dispositivi/accessori specificati dalla società produttrice.
12. Usare unicamente con il carrello, la base, il treppiede, il sostegno o il tavolo specificati dalla società produttrice o venduti con l'apparecchio. Quando si utilizza un carrello, fare attenzione nello spostamento dell'insieme carrello/apparecchio per evitare lesioni da ribaltamento.
13. Staccare la spina dell'apparecchio dalla presa di corrente all'improvviso di temporali con fulmini o quando non è utilizzato per lunghi periodi di tempo.
14. Per qualsiasi riparazione rivolgersi a personale di assistenza qualificato. Eventuali riparazioni sono necessarie se l'apparecchio è stato danneggiato in qualche modo, come nel caso di guasti al cavo di alimentazione o alla spina, danni provocati dal rovesciamento di liquido o dalla caduta di oggetti sull'apparecchio, esposizione alla pioggia o all'umidità, o se l'apparecchio non funziona in modo normale o è stato fatto cadere.
15. L'apparecchio non dovrà essere esposto a sgocciolamento o schizzi di acqua e su di esso non deve essere posato alcun oggetto contenente liquido, come per esempio un vaso.
16. Fare attenzione ad evitare folgorazioni, inserire completamente la lama larga della spina nella fessura larga della presa.
17. Mantenere una corretta ventilazione attorno all'intera unità.
18. L'adattatore a inserimento diretto viene utilizzato come dispositivo di disconnessione, si dovrà sempre essere in condizione di poterlo mettere prontamente in funzione.
19. Le batterie (pacco batterie o batterie installate) non dovranno essere esposte a un calore eccessivo come quello della luce del sole, del fuoco o similare.



53125A

Indice

Introduzione90
Caratteristiche del sistema91
Componenti del sistema91
Tour guidato - funzioni del ricevitore CR8892
Tour guidato - funzioni del trasmettitore belt pack CB88.94
Tour guidato - funzioni del trasmettitore portatile CH8896
Guida introduttiva - Configurazione di un sistema singolo97
Guida introduttiva - Configurazione di sistemi multipli	101
Montaggio su rack.	103
Schemi dei canali del sistema Concert 88	104
Localizzazione guasti	105
Specifiche	106

ENGLISH

FRANÇAIS

DEUTSCHE

ESPAÑOL

ITALIANO

Introduzione

Congratulazioni per aver acquistato il sistema wireless Concert 88 di Samson. Il modello Concert 88 è la soluzione ideale per artisti dinamici che hanno bisogno di un sistema affidabile, dal suono eccellente per applicazioni senza filo. Caratterizzato da un funzionamento semplice, con sedici canali disponibili e una porta a infrarossi per il canale del trasmettitore, il Concert 88 può essere velocemente messo in funzione non appena tolto dalla confezione. Il sistema Concert 88 garantisce prestazioni dal suono pulito, prive di interruzioni grazie alla combinazione del tone key con la funzione di silenziamento automatico. Questa configurazione consente il passaggio attraverso il ricevitore soltanto dell'audio proveniente dal trasmettitore e silenzia l'uscita in presenza di eventuali interferenze.

Il sistema Concert 88 è disponibile in quattro configurazioni. Il sistema vocale portatile comprende il trasmettitore portatile CH88 e la capsula microfonica portatile dinamica. Il sistema belt pack CB88 può essere configurato con la combinazione cuffie-microfono HS5, con il microfono lavalier LM5 o con un cavo per strumenti da ¼". Per installazioni itineranti o a carattere permanente, il Concert 88 include un kit per il montaggio su rack standard da 19".

In queste pagine troverete una descrizione dettagliata delle caratteristiche del sistema wireless Concert 88, oltre a un tour guidato attraverso il suo pannello di controllo, istruzioni passo per passo riguardo alla sua configurazione e al suo utilizzo e le specifiche complete del sistema. Se il sistema senza filo è stato acquistato negli Stati Uniti, troverete anche un certificato di garanzia — vi preghiamo di compilarlo e spedirlo in modo da poter ricevere assistenza tecnica on-line e da permetterci di inviarvi informazioni aggiornate su questo e altri prodotti Samson in futuro. Vi invitiamo inoltre a consultare il nostro sito web

(www.samsontech.com) per ottenere informazioni complete su tutta la nostra linea di prodotti.

Vi consigliamo di conservare come riferimento i seguenti dati, oltre a una copia dello scontrino certificante l'acquisto.

Numero di serie del ricevitore: _____

Numero di serie del trasmettitore: _____

Data di acquisto: _____

Nome del rivenditore: _____

Con le dovute cure e manutenzione, il sistema wireless Concert 88 funzionerà senza problemi per molti anni. Se il sistema senza filo dovesse necessitare riparazioni, bisognerà ottenere un numero di autorizzazione al reso (RA) prima di spedire l'unità a Samson. Senza questo numero, l'unità non sarà accettata. Vi preghiamo di contattare Samson allo 1-800-3SAMSON (1-800-372-6766) per ottenere un numero RA prima di spedire la vostra unità. Conservare la confezione originale e, se possibile, effettuare il reso dell'unità nel suo imballaggio originario. Se il sistema Concert 88 è stato acquistato fuori dal territorio degli Stati Uniti, contattare il distributore locale per dettagli sulla garanzia e informazioni sull'assistenza.

Caratteristiche del sistema

- Sistema wireless professionale per utilizzo in applicazioni con audio dal vivo e sound contracting
- La tecnologia true diversity eleva al massimo la portata attiva (fino a 91,44 m, 300 piedi) e riduce le potenziali interferenze
- Sedici canali disponibili operanti nella banda UHF progettati per ottenere la compatibilità massima del sistema nella medesima posizione senza interferenze
- Il ricevitore CR88 è un'unità half-rack che può essere usata senza piedistallo/ non fissata al muro oppure può essere montata su qualsiasi rack standard da 19" facendo ricorso al kit per rack in dotazione, il che ne semplifica l'integrazione in qualsiasi impianto audio destinato ad essere spostato o a far parte di un'installazione fissa
- Il tone key e la funzione di silenziamento automatico garantiscono prestazioni dal suono pulito, prive di interruzioni, dal momento che consentono il passaggio attraverso il ricevitore soltanto dell'audio proveniente dal trasmettitore e silenziano l'uscita in presenza di eventuali interferenze.
- Portata fino a 91,44 m / 300 piedi (linea di vista)
- Fino a otto ore di durata della carica della batteria, facendo ricorso a due batterie AA standard

Componenti del sistema

Tutti i sistemi

Ricevitore CR88

Alimentazione

Cavo audio da ¼" a ¼"

Accessori per rack aletta per montaggio a rack lunga, aletta per montaggio a rack corta, due adattatori per ricevitore

Manuale di istruzioni

Sistema portatile

Trasmettitore portatile CH88 con capsula microfonica dinamica

Sistema con cuffie

Trasmettitore belt pack CB88

Microfono con cuffie HS5 con connettore mini-XLR

Sistema lavalier

Trasmettitore belt pack CB88

Microfono lavalier LM5 con connettore mini-XLR

Gancio per indumenti

Sistema per strumento

Trasmettitore belt pack CB88

Cavo per strumento da ¼" a mini-XLR

ENGLISH

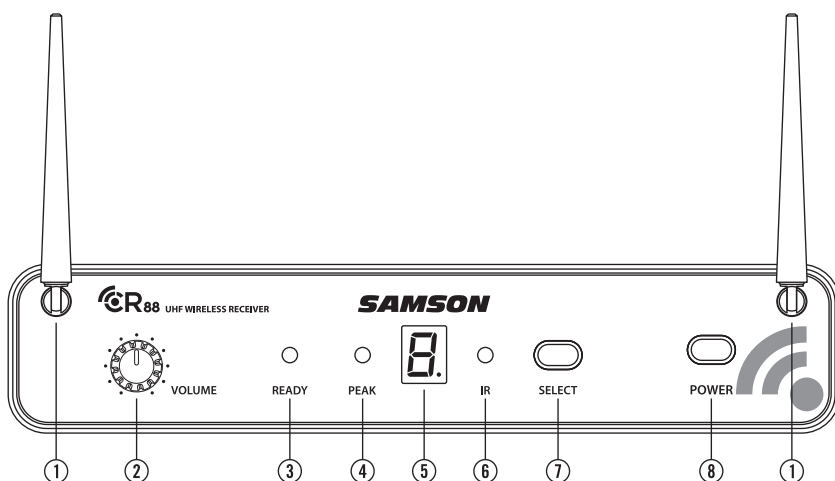
FRANÇAIS

DEUTSCHE

ESPAÑOL

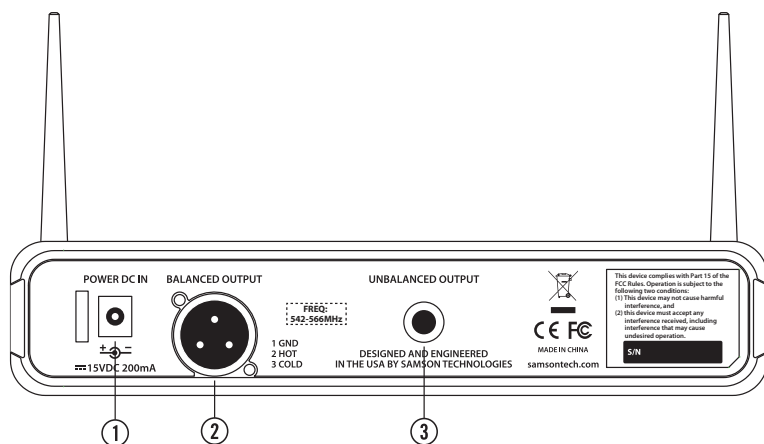
ITALIANO

Tour guidato - funzioni del ricevitore CR88

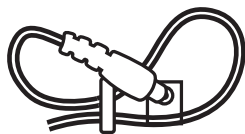


1. **Antenne** - I supporti delle antenne ne consentono una rotazione completa per un posizionamento ottimale. In condizioni di funzionamento normale, entrambe le antenne dovrebbero essere posizionate in verticale. Durante il trasporto del ricevitore CR88 entrambe le antenne possono essere piegate all'interno per comodità.
2. **Comando VOLUME** - Questa manopola imposta il livello del segnale audio in uscita attraverso i jack di uscita bilanciato e sbilanciato situati sulla parte posteriore del pannello. Il livello di riferimento si ottiene quando la manopola è interamente ruotata in senso orario (sulla sua impostazione "10").
3. **Spia indicante lo stato di PRONTO** - La spia si accende assumendo colore verde quando il CR88 sta ricevendo il segnale RF e il sistema è pronto per l'uso.
4. **Spia indicante lo stato di PICCO** - La spia si accende assumendo colore rosso quando il segnale audio trasmesso è sovraccarico.
5. **Display con LED** - Il display con LED a sette segmenti mostra il canale in uso sul ricevitore in un dato momento. I canali del ricevitore CR88 sono indicati con 0-9 e A-F.
6. **Trasmettitore IR** - Durante la "CONFIGURAZIONE IR" viene utilizzata della luce a infrarossi per impostare il canale del trasmettitore.
7. **Tasto SELEZIONE** - Premere questo tasto per effettuare un ciclo attraverso i canali funzionanti del ricevitore. Premere il tasto e tenerlo premuto per inviare le informazioni relative al canale al trasmettitore mediante trasmissione a infrarossi.
8. **Interruttore di ACCENSIONE** - Utilizzare per spegnere o accendere il ricevitore CR88.

Tour guidato - funzioni del ricevitore CR88



- 1. Ingresso in c.c.** - Collegare in questo punto l'adattatore in dotazione, facendo ricorso al pressacavo come mostrato nell'illustrazione sottostante. **AVVERTIMENTO:** non sostituire con adattatori di nessun altro tipo. Farlo può provocare gravi danni al ricevitore CR88 e ne renderà invalida la garanzia.
- 2. USCITA BILANCIATA** - Usare questo jack XLR a bassa impedenza (600 Ohm) bilanciato elettronicamente quando si collega il ricevitore CR88 ad apparecchiature audio professionali (+4dBu). La configurazione dei contatti per il cablaggio è la seguente: contatto 1 terra, contatto 2 alto (caldo) e contatto 3 basso (freddo).
- 3. USCITA SBILANCIATA** - Usare questo jack da 1/4" sbilanciato e ad alta impedenza (5K Ohm) quando si collega il ricevitore CR88 ad apparecchiature audio di tipo consumer (-10dBV). Il cablaggio è il seguente: punta caldo, manica terra.



Fare ricorso al pressacavo: avvolgere il filo ad anello e farlo passare nel pressacavo, poi passare la spina dell'adattatore attraverso l'anello creando un nodo.

ENGLISH

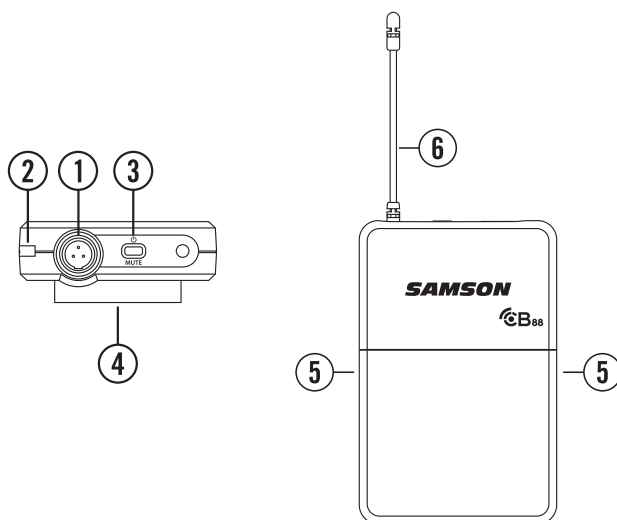
FRANÇAIS

DEUTSCHE

ESPAÑOL

ITALIANO

Tour guidato - funzioni del trasmettitore belt pack CB88



1. **Connettore di ingresso** - Collegare il dispositivo di ingresso attraverso il connettore mini-XLR. Il trasmettitore CB88 è fornito con un microfono lavalier, una combinazione cuffia - microfono o un cavo per strumenti da 1/4".

2. **Spia indicante lo stato** - Questo LED indica la modalità di funzionamento:

VERDE	Funzionamento normale
ROSSO	Silenziamento
VERDE lampeggiante	Poca carica restante della batteria

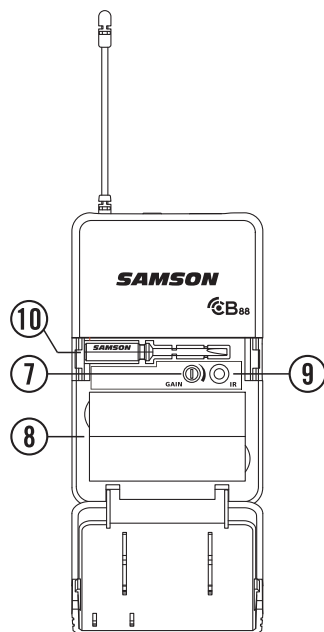
3. **Interruttore di accensione/silenziamento** - Premere e mantenere premuto per spegnere o accendere l'unità. Premere e rilasciare per silenziare il trasmettitore o togliergli il silenziamento.

4. **Gancio per fissaggio alla cintura** - Utilizzare questo gancio per fissare il trasmettitore CB88 a una cintura o alla tracolla della chitarra.

5. **Apertura del coperchio del vano batteria** - Premere su entrambi i lati e tirar indietro per aprire il coperchio del vano batteria del trasmettitore CB88.

6. **Antenna** - Questa antenna fissa del trasmettitore dovrà essere estesa completamente durante il normale funzionamento.

Tour guidato - funzioni del trasmettitore belt pack CB88



- 7. Controllo del GUADAGNO in ingresso** - Questo comando regola la sensibilità d'ingresso del trasmettitore in modo che possa interfacciarsi con gli ingressi di microfono e strumenti. Per ottenere delle prestazioni ottimali, facendo uso del cacciavite in dotazione, impostare il controllo del GUADAGNO in ingresso nel punto in cui si vede la spia indicante il PICCO del CR88 iniziare ad accendersi a fronte di livelli alti, poi abbassare lentamente fino a che la luce indicante una condizione di PICCO smette di essere accesa.
- 8. Vano batterie** - Inserire due batterie AA (LR6) standard in questo vano, accertandosi di rispettare i contrassegni "più" e "meno" della polarità come indicati. Anche se è possibile fare uso di batterie Ni-Cad ricaricabili esse non forniscono un quantitativo adeguato di corrente per più di quattro ore. **AVVERTIMENTO:** non inserire le batterie a rovescio; farlo può provocare gravi danni al trasmettitore CB88 e ne renderà invalida la garanzia.
- 9. Lente IR** - Questa apertura è utilizzata per catturare il segnale infrarosso inviato dal ricevitore CR88 durante la CONFIGURAZIONE IR in cui vengono configurati i canali del trasmettitore.
- 10. Cacciavite in plastica** - Ha lo scopo di essere utilizzato per regolare il controllo del GUADAGNO (#7) in ingresso del trasmettitore CB88.

ENGLISH

FRANÇAIS

DEUTSCHE

ESPAÑOL

ITALIANO

Tour guidato - funzioni del trasmettitore portatile CH88

1. **Spia indicante lo stato** - Questo LED indica la modalità operativa:

VERDE	Funzionamento normale
ROSSO	Silenziamento
VERDE lampeggiante	Poca carica restante della batteria

2. **Interruttore di accensione/silenziamento** -

Premere e mantenere premuto per spegnere o accendere l'unità. Premere e rilasciare per silenziare il trasmettitore o togliergli il silenziamento.

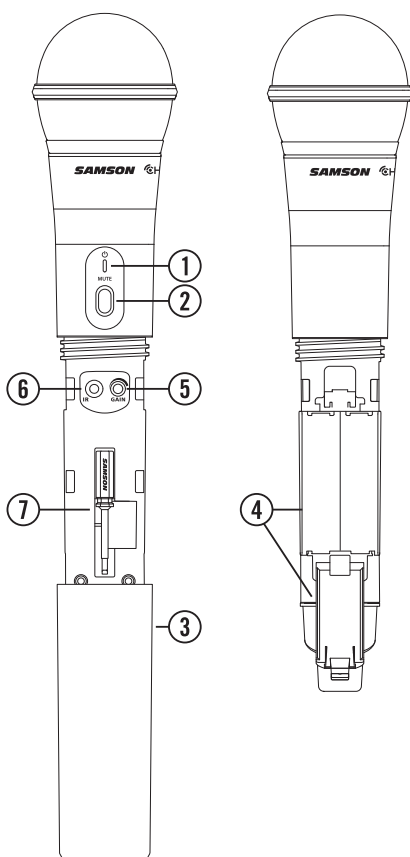
3. **Coperchio del vano batteria** - Svitare le viti del coperchio del vano batteria e farlo scorrere per aprire il vano che ospita le batterie del trasmettitore CH88.

4. **Vano batterie** - Aprire il vano batterie esercitando una pressione sulla linguetta e sollevando il coperchio. Inserire due batterie AA (LR6) standard in questo vano, accertandosi di rispettare i contrassegni "più" e "meno" della polarità come indicati. Anche se è possibile fare uso di batterie Ni-Cad ricaricabili esse non forniscono un quantitativo adeguato di corrente per più di quattro ore. **AVVERTIMENTO:** non inserire le batterie a rovescio; farlo può provocare gravi danni al trasmettitore CH88 e ne renderà invalida la garanzia.

5. **Controllo del GUADAGNO in ingresso** - Questo comando regola la sensibilità d'ingresso del trasmettitore. Per ottenere delle prestazioni ottimali, facendo uso del cacciavite in dotazione, impostare il controllo del GUADAGNO in ingresso nel punto in cui si vede la spia indicante il PICCO del CR88 iniziare ad accendersi a fronte di livelli alti, poi abbassare lentamente fino a che la luce indicante una condizione di PICCO smette di essere accesa.

6. **Lente IR** - Questa apertura è utilizzata per catturare il segnale infrarosso inviato dal ricevitore CR88 durante la CONFIGURAZIONE IR in cui vengono configurati i canali del trasmettitore. Per caricare il canale selezionato il coperchio del vano batterie deve essere aperto e la lente IR rivolta verso il ricevitore.

7. **Cacciavite in plastica** - Ha lo scopo di essere utilizzato per regolare il controllo del GUADAGNO in ingresso del trasmettitore CB88 (V. #5 Controllo del GUADAGNO in ingresso HH).



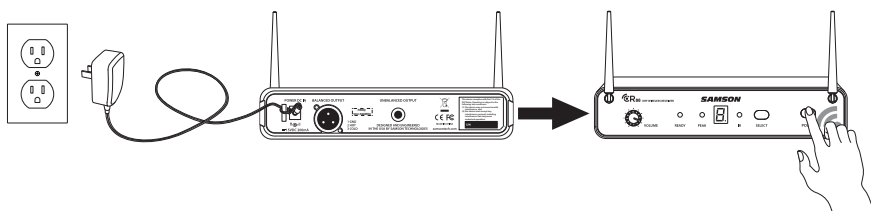
Guida introduttiva - Configurazione di un sistema singolo

Affinché il sistema wireless funzioni correttamente sia il ricevitore sia il trasmettitore devono essere impostati sul medesimo canale.

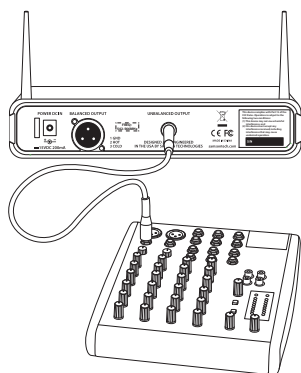
Seguire questa procedura base per configurare e utilizzare il sistema wireless Concert 88:

Posizionare fisicamente il ricevitore CR88 dove esso sarà utilizzato ed estendere le antenne in senso verticale. Il generico principio basilare da applicare è mantenere la "linea di vista" tra ricevitore e trasmettitore in modo che la persona che usa o indossa il trasmettitore possa vedere il ricevitore.

Con l'interruttore di accensione acceso e l'alimentazione del ricevitore CR88 disattivata, collegare l'adattatore in dotazione. Accendere un istante il ricevitore CR88 per accertarsi che l'unità stia ricevendo alimentazione. Si vedrà il display a LED accendersi. Poi spegnere il ricevitore CR88.



Con l'amplificatore o il mixer spenti e il volume completamente abbassato, collegare il jack di uscita del ricevitore CR88 all'ingresso del microfono o a quello a livello di linea di un mixer o di un amplificatore utilizzando l'uscita XLR bilanciata o l'uscita sbilanciata a livello di linea da 1/4". Ruotare completamente in senso antiorario la manopola del livello sul ricevitore CR88 poi accenderlo.



ENGLISH

FRANÇAIS

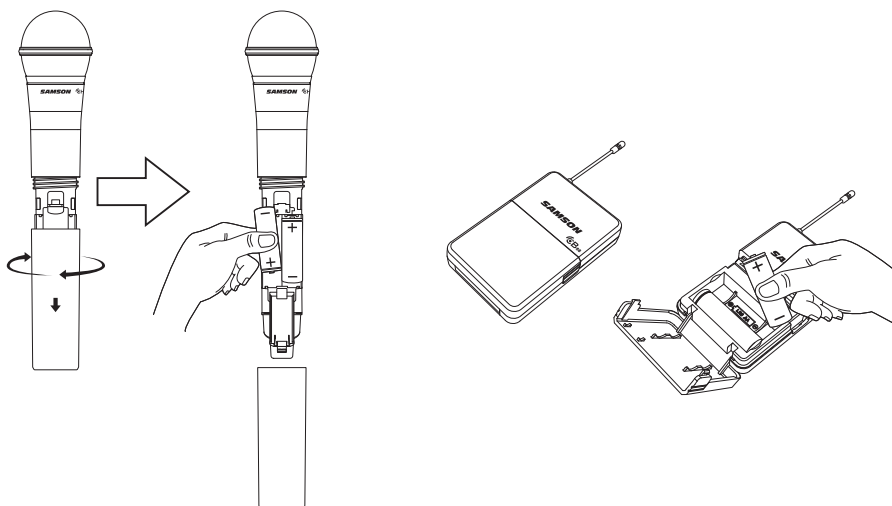
DEUTSCHE

ESPAÑOL

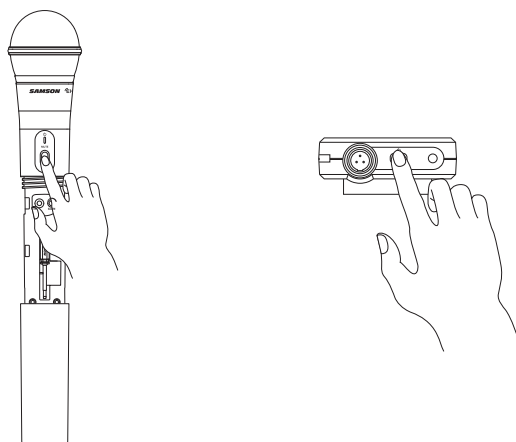
ITALIANO

Guida introduttiva - Configurazione di un sistema singolo

Con il trasmettitore spento inserire due batterie AA nuove nel trasmettitore belt pack CB88 o nel trasmettitore portatile CH88. Lasciare il vano batterie aperto.

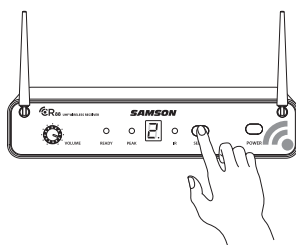


Accendere il trasmettitore premendo e mantenendo premuto l'interruttore di accensione; la spia a LED si accenderà assumendo colore verde.

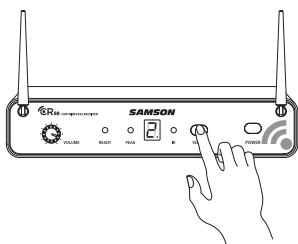


Guida introduttiva - Configurazione di un sistema singolo

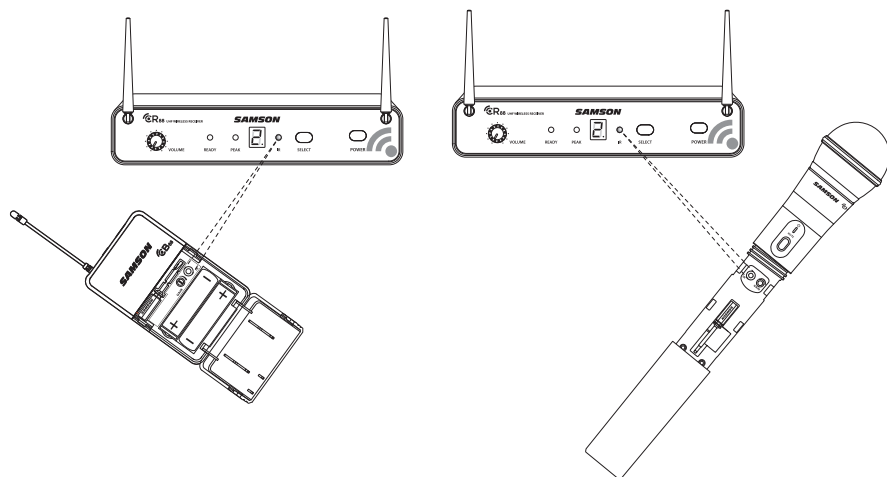
Premere il tasto SELEZIONE sul lato anteriore del ricevitore CR88 e scegliere un canale disponibile. Il numero di canale aumenterà di una cifra, da 0 a 9 poi da A ad F. Quando l'ultimo canale è stato raggiunto, il ciclo del conteggio tornerà a 0.



Posizionare il trasmettitore a circa 15-30 cm (6-12") di distanza dalla parte anteriore del ricevitore CR88 con l'apertura IR del trasmettitore di fronte al dispositivo trasmettente a raggi infrarossi situato sul pannello frontale del ricevitore CR88.

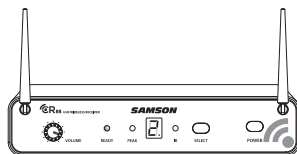


Premere e tenere premuto il tasto SELEZIONE del CR88 per impostare il trasmettitore sul medesimo canale del ricevitore attraverso la trasmissione a infrarossi.

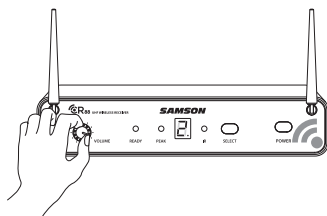


Guida introduttiva - Configurazione di un sistema singolo

Quando la trasmissione è completa, il ricevitore CR88 riceverà il segnale in RF e il tone key dal trasmettitore. Sul pannello frontale del ricevitore CR88 lampeggerà la spia indicante lo stato di PRONTO.



Accendere l'amplificatore o il mixer collegato, ma tenerne il volume completamente abbassato. Ruotare la manopola del volume sul CR88 completamente in senso orario (sull'impostazione "10"). Ciò comporta un guadagno unitario.



Parlare o cantare nel microfono oppure, se si sta usando il trasmettitore con uno strumento collegato, suonare lo strumento al normale livello che si avrebbe durante una performance. Alzare lentamente il volume dell'amplificatore o del mixer fino a raggiungere il livello desiderato.

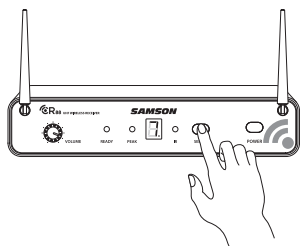
Se si riscontra che il sistema ha dei drop-out considerevoli, un ridotto range di esercizio complessivo o improvvise manifestazioni di rumore, modificare il canale su cui il sistema funziona effettuando le operazioni sopra elencate.

Guida introduttiva - Configurazione di sistemi multipli

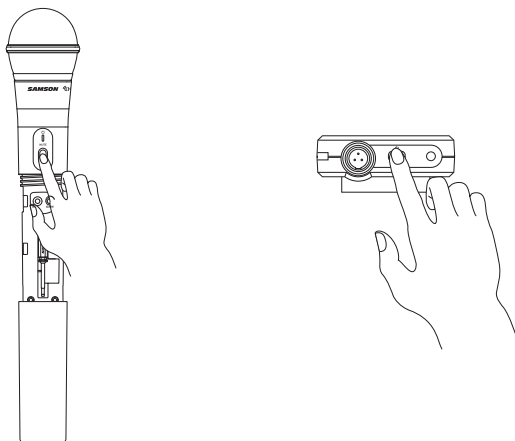
Quando si usano sistemi multipli, ciascun sistema deve essere impostato su un canale di funzionamento diverso. Gli accoppiamenti di trasmettitore e ricevitore devono essere sul piano del medesimo canale affinché i dispositivi possano lavorare insieme (V. "Concert 88 Channel Plans" on page 104).

Quando si imposta un trasmettitore aggiuntivo, accertarsi di chiudere i vani batteria di tutti gli altri trasmettitori per garantire che la lente IR sia coperta.

Per modificare il canale di funzionamento di un sistema, premere il tasto SELEZIONE posto sul lato anteriore del ricevitore CR88. Il numero di canale aumenterà di una cifra, da 0 a 9 poi da A ad F. Quando l'ultimo canale è stato raggiunto, il ciclo del conteggio tornerà a 0.

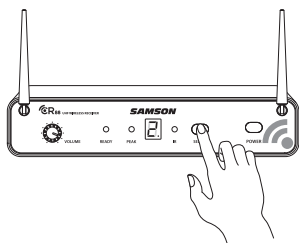


Accendere il trasmettitore premendo e mantenendo premuto l'interruttore di accensione; la spia a LED si accenderà assumendo colore verde.

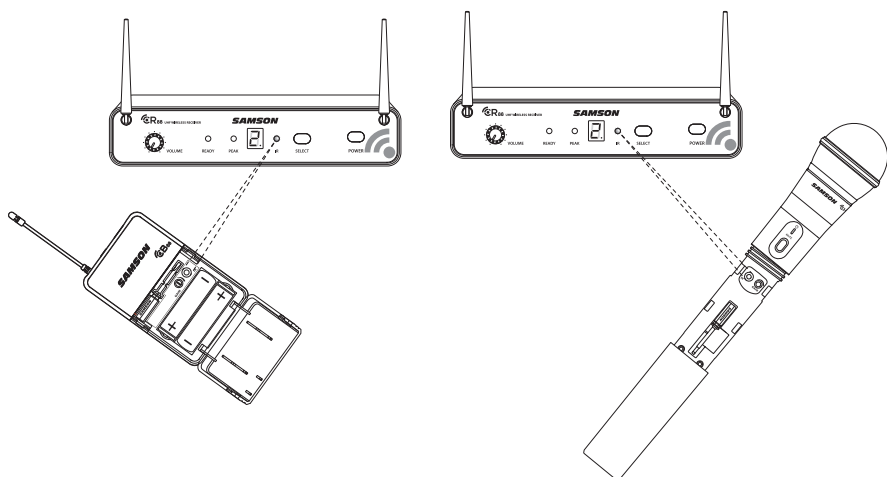


Guida introduttiva - Configurazione di sistemi multipli

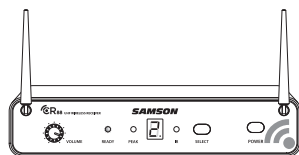
Posizionare il trasmettitore a circa 15-30 cm (6-12") di distanza dalla parte anteriore del ricevitore CR88 con l'apertura IR del trasmettitore di fronte al dispositivo trasmettente a raggi infrarossi del ricevitore.



Premere e tenere premuto il tasto SELEZIONE del CR88 per sincronizzare il trasmettitore sul medesimo canale del ricevitore attraverso la trasmissione a infrarossi.



Quando la trasmissione è completa e il CR88 sta ricevendo il segnale RF dal trasmettitore, sul pannello anteriore del ricevitore CR88 si accenderà la spia indicante lo stato di PRONTO.

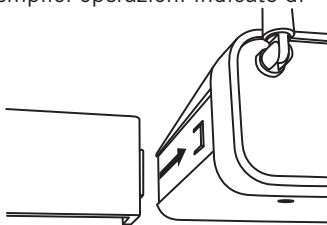


Se si riscontra che il sistema ha dei drop-out considerevoli, un ridotto range di esercizio complessivo, o improvvise manifestazioni di rumore, modificare il canale su cui il sistema funziona effettuando le operazioni sopra elencate.

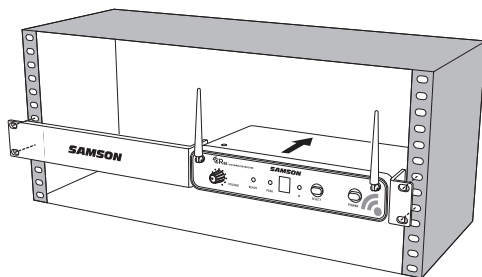
Montaggio su rack

Nell'ambito di installazioni itineranti o permanenti il ricevitore CR88 può essere installato su un rack standard da 19" facendo uso delle alette per montaggio a rack incluse. Per montare il ricevitore CR88 eseguire le semplici operazioni indicate di seguito:

Collegare le alette per montaggio a rack in dotazione facendo scorrere ciascuna aletta nella scanalatura posizionata su ciascun lato del ricevitore CR88 fino a che si insedia in posizione corretta con uno scatto e il ricevitore è a filo con il pannello frontale.

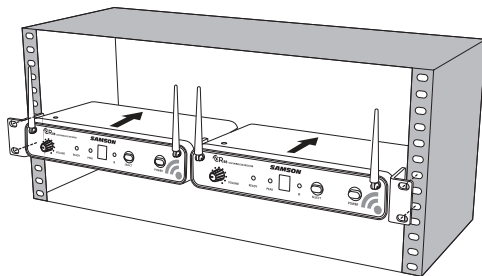


Posizionare il ricevitore CR88 in uno spazio del rack disponibile e farlo scorrere sino a che le alette per montaggio a rack toccano le guide della struttura del rack e sono allineate con i fori delle guide stesse.



Montare il ricevitore nel rack facendo ricorso alle viti per rack della dimensione adeguata (non comprese). Per garantire una tensione e un equilibrio uguali quando si installa il ricevitore, bisognerebbe fissare le viti secondo uno schema incrociato di angoli opposti: alto sinistra -> basso destra -> alto destra -> basso sinistra.

Per montare due ricevitori CR88 in un unico spazio del rack, il sistema comprende un elemento di collegamento centrale. Far scorrere l'elemento di collegamento centrale nella scanalatura di ciascun ricevitore e collegare le alette per montaggio a rack corte a ciascun ricevitore. Montare i ricevitori nel rack facendo ricorso allo schema di collegamento incrociato sopra descritto.



ENGLISH

FRANÇAIS

DEUTSCHE

ESPAÑOL

ITALIANO

Schemi dei canali del sistema Concert 88

Group A* 925-938 MHz		Group B* 806-809 MHz		Group C 638-662 MHz		Group D 542-566 MHz		Group F* 606-630 MHz		Group G* 863-865 MHz	
Canale	Freq	Canale	Freq	Canale	Freq	Canale	Freq	Canale	Freq	Canale	Freq
0	925.125	0	806.125	0	638.125	0	542.125	0	606.125	0	863.050
1	925.850	1	806.375	1	639.625	1	543.625	1	607.625	1	863.250
2	926.575	2	807.125	2	641.050	2	545.05	2	609.05	2	863.550
3	927.300	3	807.750	3	642.425	3	546.425	3	610.425	3	863.750
4	928.025	4	809.000	4	642.900	4	546.900	4	610.900	4	864.050
5	928.750	5	809.500	5	645.525	5	549.525	5	613.525	5	864.250
6	929.475	6	806.250	6	647.100	6	551.100	6	615.100	6	864.550
7	930.200	7	806.500	7	648.475	7	552.475	7	616.475	7	864.750
8	932.300	8	807.000	8	650.000	8	554.000	8	618.000	8	864.950
9	933.000	9	807.875	9	652.075	9	556.075	9	620.075		
A	933.725	A	808.500	A	654.975	A	558.975	A	622.975		
B	934.450	B	808.875	B	655.975	B	559.975	B	623.975		
C	935.175	C	806.625	C	657.050	C	561.050	C	625.050		
D	935.900	D	806.875	D	658.975	D	562.975	D	626.975		
E	936.625	E	807.375	E	660.425	E	564.425	E	628.425		
F	937.350	F	808.25	F	661.975	F	565.975	F	629.975		

* Da non utilizzare negli USA e in Canada. Per domande inerenti ai canali disponibili nella propria zona contattare il distributore Samson locale.

Localizzazione guasti

Problema	Soluzioni
Assenza di audio	Accertarsi che tanto il trasmettitore quanto il ricevitore siano accesi.
	Accertarsi che le batterie del trasmettitore siano installate correttamente.
	Controllare che il trasmettitore non sia silenziato.
	Confermare che l'adattatore per il CR88 sia correttamente collegato e inserito in una presa elettrica.
	Accendere il ricevitore CR88.
	Accertarsi che le connessioni di uscita audio del ricevitore CR88 siano collegate in modo sicuro.
	Assicurarsi che il ricevitore e il trasmettitore siano nella linea di vista l'uno con l'altro.
	Controllare i comandi del livello del ricevitore e del dispositivo di ingresso audio.
Audio distorto	Accertarsi che il trasmettitore e il ricevitore siano impostati sul medesimo canale di funzionamento. Se non si è sicuri, reimpostare il canale effettuando una configurazione IR.
	Il livello di uscita audio del ricevitore o di ingresso audio del dispositivo potrebbe essere troppo alto.
	Controllare le batterie del trasmettitore e sostituirle se il livello di carica è basso.
Breve interruzione nella trasmissione audio (drop out)	Il guadagno in ingresso sul trasmettitore (CB88) o il livello della sorgente audio potrebbero essere troppo alti.
	Il trasmettitore potrebbe essere troppo lontano dal ricevitore. Avvicinarlo al ricevitore o riposizionare le antenne.
Eliminare tutte le sorgenti che potrebbero causare interferenze in radiofrequenza, come telefoni cellulari, cordless, dispositivi di illuminazione, computer, strutture metalliche ecc.	Il ricevitore non si accende
	Controllare l'adattatore per accertarsi che sia collegato correttamente e inserito in una presa che fornisca alimentazione.
Il trasmettitore non si accende (il LED si accende assumendo una colorazione ROSSA)	Sostituire le batterie del trasmettitore.
Rumore o interferenze indesiderati	Se si usano sistemi multipli, accertarsi che nessuno di essi stia funzionando sullo stesso canale su cui funziona un altro sistema. Se il problema persiste, cambiare uno o tutti i canali dei sistemi.

ENGLISH

FRANÇAIS

DEUTSCHE

ESPAÑOL

ITALIANO

Specifiche

Sistema

Range di esercizio	300' (100 m circa) linea di vista
Risposta in audiofrequenza	50 Hz -15 kHz
Distorsione armonica totale (Complessiva)	<1% (AF 1 kHz, RF 46 dBu)
Gamma dinamica	>100 dB ponderata A
Da segnale a rumore	>90 dB
Temperatura di esercizio	-10°C (14°F) to +60°C (+140°F)
Frequenza Tone Key	32.768 kHz

Trasmettitore belt pack CB88

Connettore d'ingresso	Mini-XLR (P3)
Impedenza d'ingresso	1M Ω
Range di guadagno in ingresso	38 dB
Potenza in RF	10 mW EIRP
Requisiti di alimentazione	Due batterie alcaline AA (LR6)
Durata della carica della batterie	8 ore
Dimensioni (H x L x P)	3,75" x 2,44" x 0,75" 96 mm x 62 mm x 18,5 mm
Peso	0,2 lb / 93 g

Trasmettitore portatile CH88

Elemento microfono	dinamico
Range di guadagno in ingresso	28 dB
Potenza in RF	10 mW EIRP
Requisiti di alimentazione	Due batterie alcaline AA (LR6)
Durata della carica della batterie	8 ore
Dimensioni (H x \emptyset)	10,23" x 2,1" 260 mm x 54 mm
Peso	0,48 lb / 218 g

Ricevitore CR88

Livello uscita audio - Sbilanciato	+14 dBu
Livello uscita audio - Bilanciato	+9 dBu
Impedenza uscita audio - Sbilanciata	810 dBu
Impedenza uscita audio - Bilanciata	240 dBu
Sensibilità	-100 dBm / 30 dB sinad
Reiezione di immagine	>50 dB
Tensione di esercizio	15 V c.c. 200 mA
Dimensioni (Lungh. x Largh. x H)	8,25" x 4,9" x 1,75" 210 mm x 125 mm x 44 mm
Peso	0,85 lb / 388 g

In Samson, il miglioramento dei prodotti è ininterrotto, pertanto specifiche e immagini sono soggette a modifica senza preavviso.

Regole e normativa FCC

I ricevitori senza fili Samson sono certificati in virtù della parte 15 delle regole FCC, mentre gli apparecchi trasmettenti sono certificati in virtù della parte 74 delle regole FCC. La concessione di licenze relative ad attrezzature Samson è di responsabilità dell'utente e la licenziabilità dipende dalla classificazione, dall'applicazione e dalla frequenza selezionate dall'utente.

NOTA: l'apparecchio è stato testato e ritenuto confacente ai limiti applicabili ai dispositivi digitali di Classe B, conformemente alla Parte 15 delle norme FCC. Questi limiti hanno lo scopo di assicurare una protezione ragionevole dalle interferenze dannose negli impianti domestici. L'apparecchio genera, usa e può irradiare energia in radiofrequenza e, se non installato e utilizzato conformemente alle istruzioni, potrebbe causare delle interferenze dannose alle comunicazioni radio. Tuttavia non ci sono garanzie che in impianti particolari non si producano interferenze. Se questo apparecchio effettivamente dovesse causare interferenze dannose al ricevimento di segnali radio o televisivi, che potrebbero essere determinate dal suo spegnimento e dalla sua accensione, l'utente è invitato a cercare di correggere le interferenze mettendo in atto una o più delle seguenti misure:

- Orientare o posizionare nuovamente l'antenna ricevente.
- Aumentare la separazione tra l'apparecchio e il ricevitore.
- Collegare l'apparecchio a una presa collocata su un circuito diverso da quello a cui il ricevitore è collegato.
- Chiedere assistenza al rivenditore o a un tecnico radio/TV esperto.

AVVERTIMENTO: variazioni o modifiche non espressamente approvate dal soggetto responsabile per la conformità potrebbero rendere nulla l'autorizzazione all'utilizzo dell'apparecchio da parte dell'utente.

Il dispositivo è conforme alla RSS-210 di Industry & Science Canada.

Il funzionamento è soggetto alle seguenti due condizioni:

(1) l'apparecchio non può causare interferenze dannose e (2) l'apparecchio deve accettare tutte le interferenze ricevute, ivi comprese quelle che potrebbero provocarne il funzionamento indesiderato.

Questa apparecchiatura è destinata all'uso in applicazioni di microfoni wireless.

L'apparecchiatura è destinata alla vendita in: AT, BE, CH, CY, CZ*, DK, EE, FI*, FR*, DE*, GR*, HU, IE, IS, IT, LV, LT*, LU, MT*, NL, NO*, PL* PT, RO, SK, SI, ES, SE, UK

*Con riserva di licenza. Si prega di contattare la propria autorità nazionale delle frequenze per informazioni sulla disponibilità di impiego legale nella vostra zona. Eventuali modifiche o variazioni non espressamente approvate da Samson Technologies Corp. potrebbero invalidare il diritto di utilizzare l'apparecchiatura.

Con il presente documento, Samson Technologies Corp., dichiara che i dispositivi CR88, CH88, CB88 sono conformi ai requisiti essenziali e alle altre disposizioni pertinenti della Direttiva 1999/5/CE. La dichiarazione di conformità può essere consultata all'indirizzo http://www.samsontech.com/site_media/support/manuals/Concert_88_DOC.pdf

C €1797!

Samson Technologies
45 Gilpin Avenue
Hauppauge, New York 11788-8816
Phone: 1-800-3-SAMSON (1-800-372-6766)
Fax: 631-784-2201
www.samsontech.com