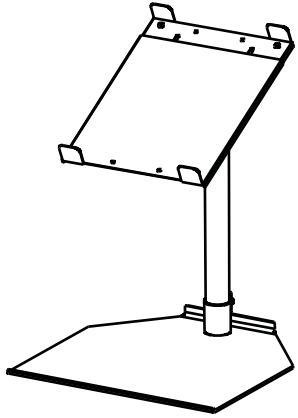


## Step 7

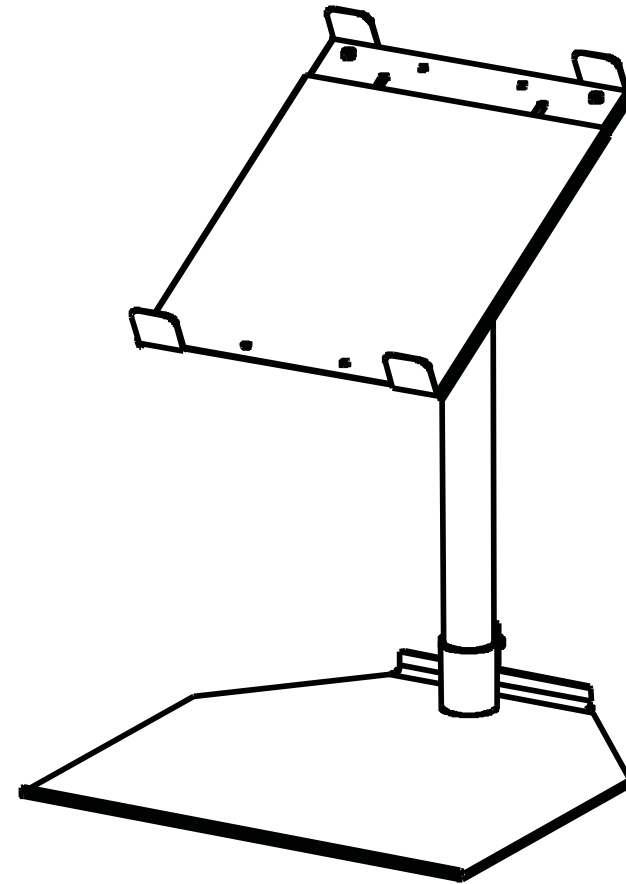


Adjust the angle of the tray and insert the locking pin through!!! This is very important. Adjust the depth of the tray or adjust the arm angles or the height of the tray by loosen and tighten the nuts using hands or spanner

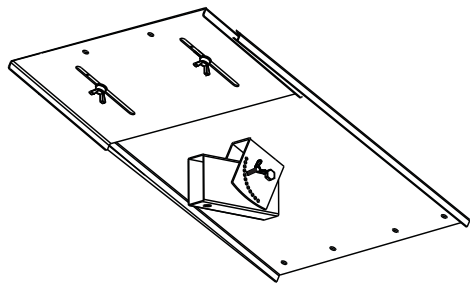
You need take away the equipment when you adjust the stand

# INNOX

## *Assembling Manual*

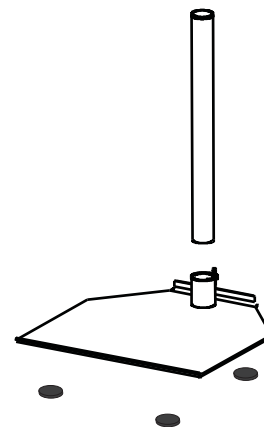


■ *table stand*



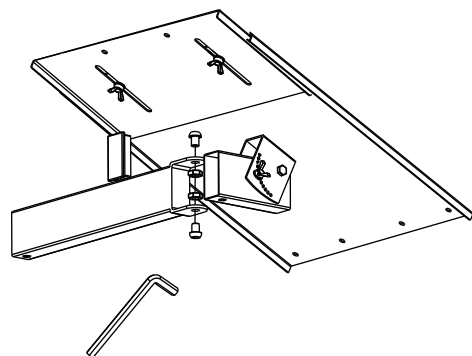
### Step 1

Please carefully unpack the contents.  
You will find the fixings and screws inside the rectangular box, we suggest you lay out the parts on a suitable area so you have these ready for the following steps. Please locate one of the main trays as shown.



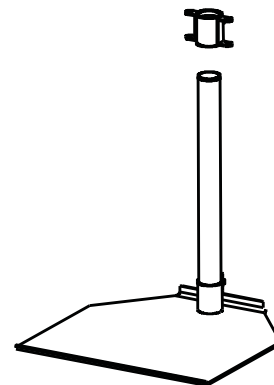
### Step 4

**Attaching the main support pole:**  
Insert the OPEN END of the main pole into the base – the plastic capped end should be visible, facing upwards.  
Tighten the pole using a chrome butterfly bolt.  
Attach the round foam EVA protective pads to the underside of the base plate.



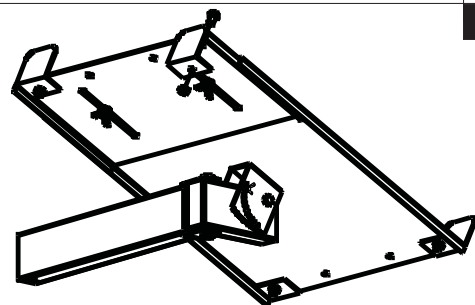
### Step 2

**Connecting the tray to the arm:**  
Whilst holding a nut inside the tray arm, slide the bolt through the hole and then tighten with the supplied allen key.  
Do this for the top and bottom parts of the arm as shown.  
Then push in the plastic end cap onto the tray arm.



### Step 5

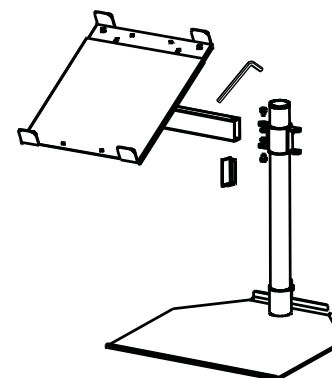
Now attach the metal collar to the main pole as shown and tighten to the pole using a chrome butterfly bolt.



### Step 3

#### Adding the support mounts:

There are four L shaped metal brackets to hold your player in place. You can select the most suitable position from the 8 available holes. These are attached using the smaller nuts and bolts within the package. Please tighten these into position.  
Attach the rectangular foam EVA protective pads to these brackets once you have ensured they are in the correct position – this is important so that you do not damage your equipment.



### Step 6

#### Attaching the tray arm to the metal collar:

You will find that inserting the retaining pin bolt (that adjusts the tray angle) will make this step easier....  
Position the tray arm and use the nuts and bolts to secure to the metal collar and then add the plastic end cap.