

# 9.6 PANEL SECTION (1/2)

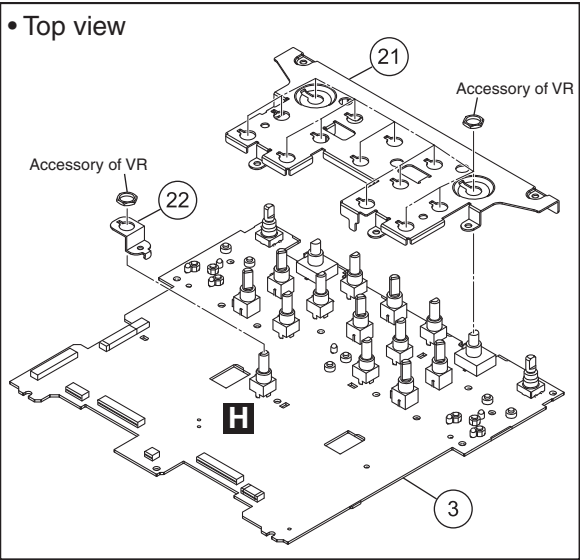
1

2

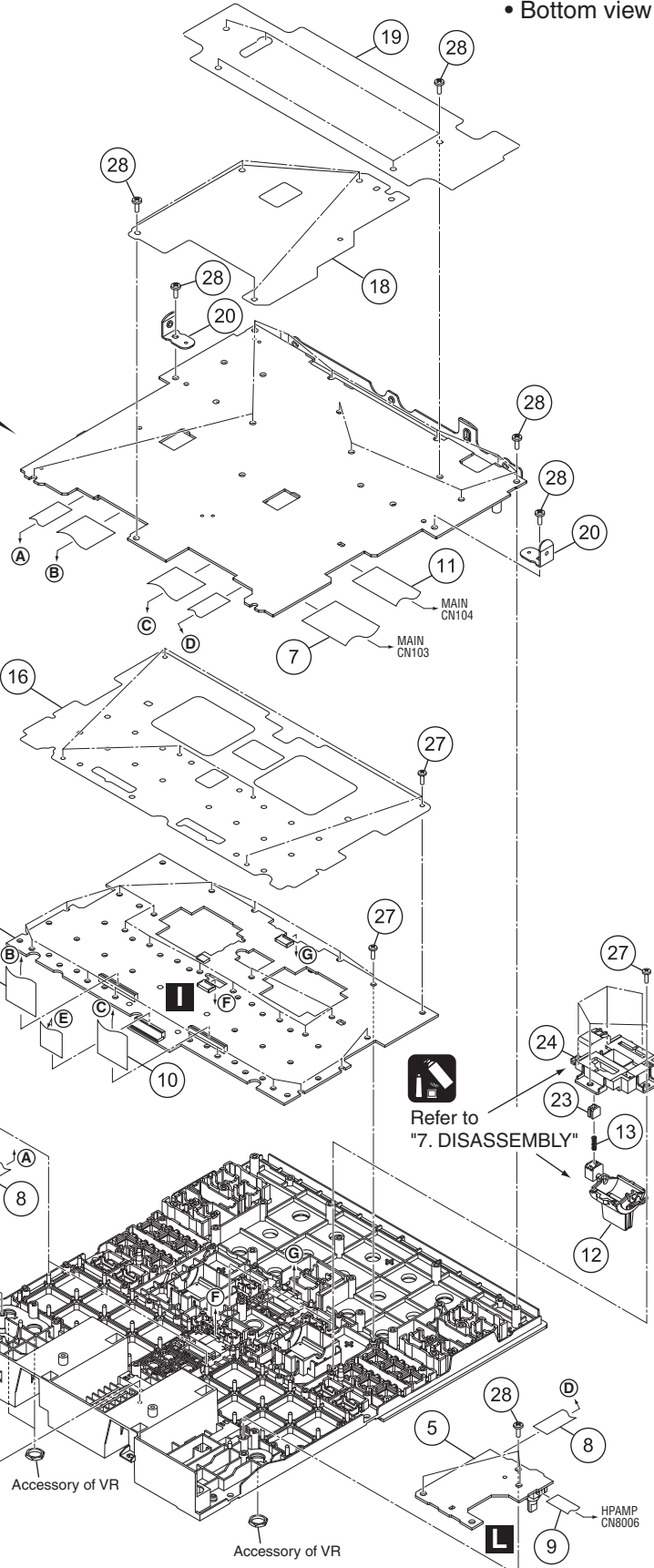
3

4

A



• Bottom view



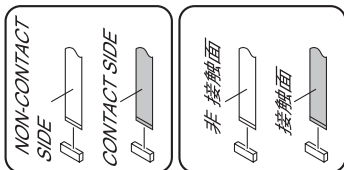
B

C

D

E

F



1

2

3

4

## PANEL SECTION (1/2) SECTION PARTS LIST

<u>Mark No.</u>	<u>Description</u>	<u>Part No.</u>	
1	PADB Assy	DWX3675	
2	LVMT Assy	DWX3679	A
3	PNL1B Assy	DWX3685	
4	HPFD Assy	DWX3680	
5	SPVR Assy	DWX3681	
6	FFC/21P	DDD1655	
7	FFC	DDD1698	
8	FFC	DDD1699	
9	FFC	DDD1700	
10	FFC	DDD1701	
11	FFC	DDD1724	B
12	Lever	DAC3081	
13	Lever Spring	DBH1702	
14	Button	DEB2014	
15	Sheet	DEC3593	
16	Sheet	DEC3600	
17	Spacer	DEC3601	
18	Sheet	DEC3635	
19	I-Shield Sheet	DEC3644	
20	Stay	DNH3212	C
21	Stay	DNH3213	
22	Stay	DNH3214	
23	Lever Cap	DNK5344	
24	Holder	DNK6435	
25	.....		
26	.....		
27	Screw	BPZ26P080FTC	
28	Screw	BPZ30P080FNI	D