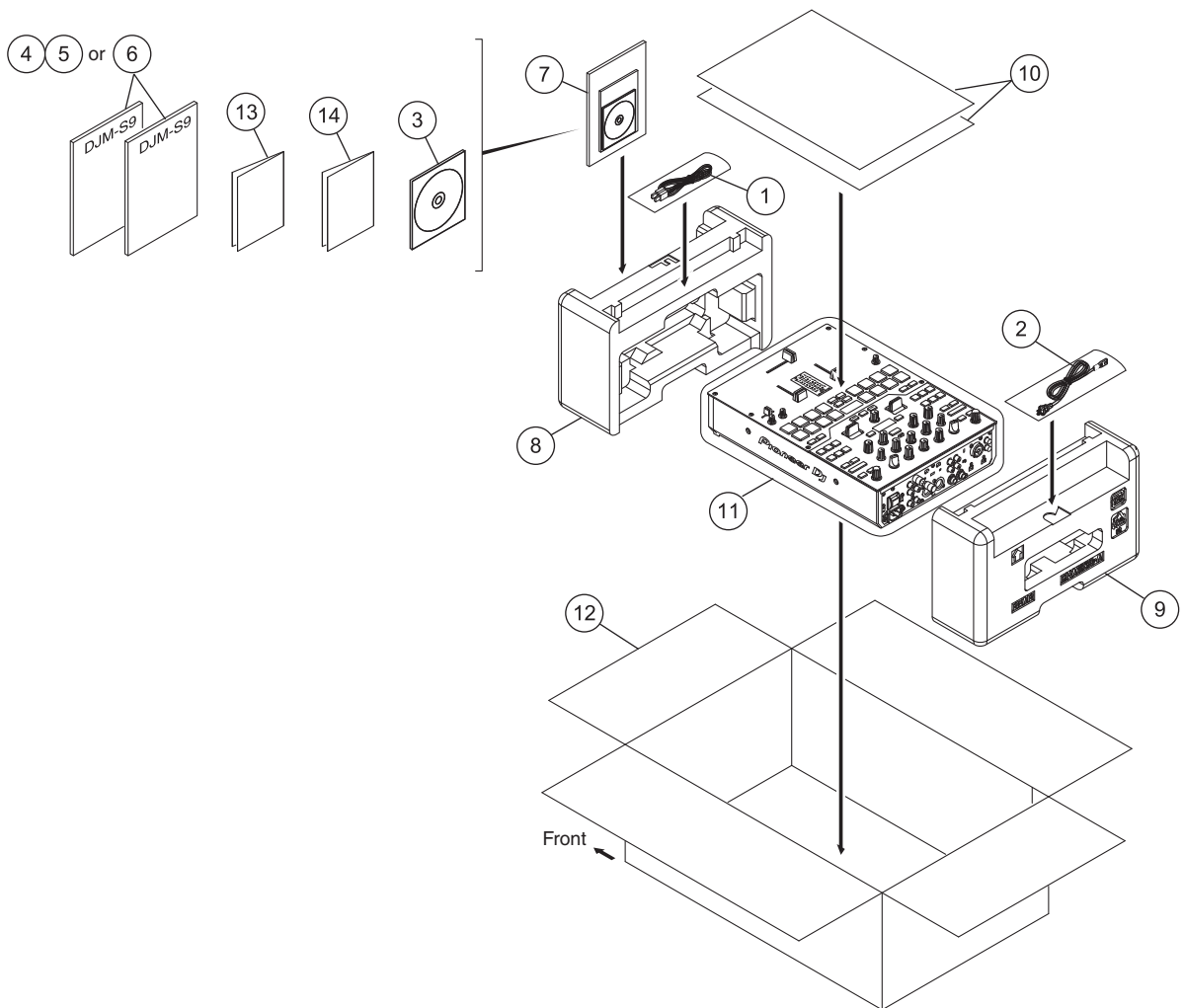


9. EXPLODED VIEWS AND PARTS LIST

- NOTES:
- Parts marked by "NSP" are generally unavailable because they are not in our Master Spare Parts List.
 - The \triangle mark found on some component parts indicates the importance of the safety factor of the part. Therefore, when replacing, be sure to use parts of identical designation.
 - Screws adjacent to ∇ mark on product are used for disassembly.
 - For the applying amount of lubricants or glue, follow the instructions in this manual. (In the case of no amount instructions, apply as you think it appropriate.)

9.1 PACKING SECTION



(1) PACKING SECTION PARTS LIST

<u>Mark No.</u>	<u>Description</u>	<u>Part No.</u>
	1 USB Cable	DDE1128
A	⚠ 2 Power Cord	See Contrast table (2)
NSP	3 CD ROM Assy/DVS	DXX2734
	4 Operating Instructions (Quick Start Guide)	See Contrast table (2)
	5 Operating Instructions (Quick Start Guide)	See Contrast table (2)
	6 Operating Instructions (Quick Start Guide)	See Contrast table (2)
NSP	7 Polyethylene Bag	AHG7117
B	8 Packing Pad	DHA1929
	9 Packing Pad	DHA1930
	10 Packing Board	DHB1002
	11 Sheet	RHX1006
	12 Packing Case	See Contrast table (2)
NSP	13 Leaflet/FPC	DRM1393
NSP	14 Warranty Card	See Contrast table (2)

C

(2) CONTRAST TABLE

DJM-S9/LSYXJ, DJM-S9/UXJCB, DJM-S9-N/LSYXJ and DJM-S9-N/UXJCB are constructed the same except for the following:

Mark	No.	Symbol and Description	DJM-S9 /LSYXJ	DJM-S9 /UXJCB	DJM-S9-N /LSYXJ	DJM-S9-N /UXJCB
A	⚠ 2	Power Cord	ADG1244	DDG1108	ADG1244	DDG1108
	4	Operating Instructions (Quick Start Guide) (En, Fr, De, It)	DRH1334	Not used	DRH1334	Not used
	5	Operating Instructions (Quick Start Guide) (NI, Es, Pt, Rs)	DRH1335	Not used	DRH1335	Not used
	6	Operating Instructions (Quick Start Guide) (En)	Not used	DRH1336	Not used	DRH1336
D	12	Packing Case	DHG3420	DHG3421	DHG3435	DHG3436
NSP	14	Warranty Card	ARY7158	Not used	ARY7158	Not used

E

F