

Pioneer

DJ Controller

DDJ-WEGO3

DDJ-WeGO3

<http://pioneerdj.com/support/>

The Pioneer DJ support site shown above offers FAQs, information on software and various other types of information and services to allow you to use your product in greater comfort.

Operating Instructions (DJ Software Setup)

Contents

How to read this manual

- Thank you for buying this Pioneer product.
Be sure to read both this booklet and "Operating Instructions (DJ unit Setup)." Both documents include important information that you should understand before using this product.
- This document describes how to use each DJ software. The hardware operating procedures are described in "Operating Instructions (DJ unit Setup)."
- In this document, the product main unit button name and terminal name is listed in []. (Example: [CUE] button, [AUX IN] terminal)
- Please note that the screens and specifications of the software described in this manual as well as the external appearance and specifications of the hardware are currently under development and may differ from the final specifications.
- Please note that depending on the operating system version, web browser settings, etc., operation may differ from the procedures described in this manual.

• The latest version of Operating Instructions (this document) can be downloaded from the Pioneer DJ support site below.
<http://pioneerdj.com/support/>

| | |
|--|----|
| 01 djay 2 for iPad/iPhone, vjay for iPad/iPhone | |
| Before using djay 2 for iPad/iPhone and vjay for iPad/iPhone | 3 |
| Operation..... | 3 |
| 02 djay for Mac | |
| Before installing djay for Mac | 5 |
| Installing djay for Mac | 5 |
| Operation..... | 5 |
| 03 Serato DJ Intro | |
| Before installing Serato DJ Intro | 8 |
| Installing Serato DJ Intro | 9 |
| About the driver software and setting utility software..... | 11 |
| Operation..... | 12 |
| Upgrading..... | 14 |
| 04 VirtualDJ LE 8 | |
| Before installing VirtualDJ LE 8 | 15 |
| Installing VirtualDJ LE 8 | 16 |
| About the driver software and setting utility software..... | 17 |
| Operation..... | 18 |
| Upgrading..... | 19 |
| 05 Additional information | |
| Using as a controller for other DJ software..... | 20 |
| About trademarks and registered trademarks | 20 |
| Cautions on copyrights | 20 |

djay 2 for iPad/iPhone, vjay for iPad/iPhone

Before using djay 2 for iPad/iPhone and vjay for iPad/iPhone

djay 2 for iPad/iPhone and vjay for iPad/iPhone can be purchased from App Store. Also check the latest system requirements.

- If you already have djay 2 for iPad/iPhone or vjay for iPad/iPhone, update it to the latest version.
 - The included iPhone/iPad connection cable (Lightning) is required to connect this unit with your iPhone or iPad and perform operation. iPhone/iPad connection cable (30-pin dock connector) is sold separately.
- For details, see Operating Instructions (DJ unit Setup).

Caution

djay 2 for iPad/iPhone and vjay for iPad/iPhone are products of algoriddim. Pioneer basically does not accept inquiries on how to operate djay 2 for iPad/iPhone and vjay for iPad/iPhone. For the functions of djay 2 for iPad/iPhone and vjay for iPad/iPhone and the operating procedures, see [Software Info] of [DDJ-WeGO3] on the Pioneer DJ support site below.
<http://pioneerdj.com/support/>

System requirements

The minimum system requirements for using djay 2 for iPad/iPhone or vjay for iPad/iPhone in combination with the unit are as follows. For the latest system requirements for djay 2 for iPad/iPhone and vjay for iPad/iPhone, check the App Store.

| | djay 2 for iPad | vjay for iPad | djay 2 for iPhone | vjay for iPhone |
|-------------------|--|---------------|---|-----------------|
| iOS | iOS 7 | | iOS 7 | |
| Compatible models | iPad Air, iPad mini with Retina display, iPad (4th generation), iPad mini, iPad (3rd generation)*, iPad 2* | | iPhone 5s, iPhone 5c, iPhone 5, iPhone 4s*, iPod touch (5th generation) | |

- * To use a model incorporating a dock connector, you must have the separately sold iPhone/iPad connection cable (30-pin dock connector) (DJC-WeCAi30). For information related to the separately sold iPhone/iPad connection cable (30-pin dock connector) and the latest supported models, see the Pioneer DJ support site below.
<http://pioneerdj.com/support/>
- For information on the latest system requirements, compatibility, and supported operating systems, see "Software Info" of "DDJ-WeGO3" on the Pioneer DJ support site below.
<http://pioneerdj.com/support/>
- Operation is not guaranteed on all iPhones and iPads, even those meeting the system requirements described above.
- Depending on the power-saving settings and other conditions of the iPhone or iPad, performance may be insufficient.
- Problems may occur with operation depending on the other software that you use.

Operation

Connections

For the connection procedure, see "Connections" in Operating Instructions (DJ unit Setup).

1 Connect this unit and the iPhone or iPad using the iPhone/iPad connection cable.

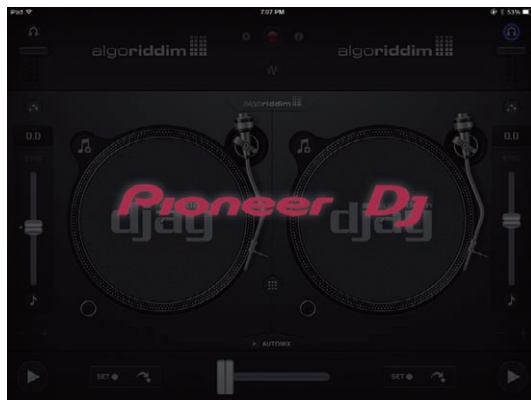
2 Press the [STANDBY/ON] button on the unit to turn on the power.

After the startup illumination ends, the unit is ready for use.

Starting the system

Start djay 2 for iPad/iPhone or vjay for iPad/iPhone.

The Pioneer DJ logo appears. The following is an example of displaying the logo for djay 2 for iPad.



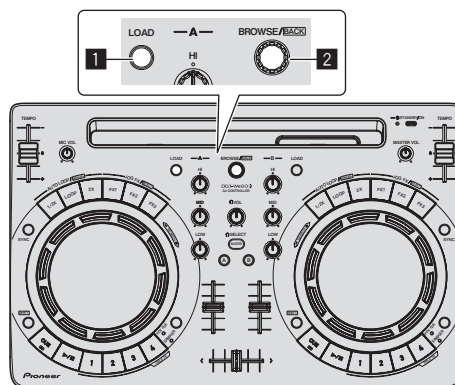
Caution

If the screen above does not appear even after waiting a while, disconnect the iPhone/iPad connection cable connector inserted in the iPhone, iPad, or iPod touch and then repeat the procedure from step 1 of *Connections*.

If the screen above still does not appear, restart the iPhone or iPad after performing the procedure of *Connections* to step 2 and then perform the procedure of *Starting the system*.

Loading tracks and playing them

The following describes the procedure for loading tracks onto the left deck as an example.



1 LOAD button

2 Rotary selector

1 Press the rotary selector, move the cursor to the library on the computer's screen, then turn the rotary selector and select the track.

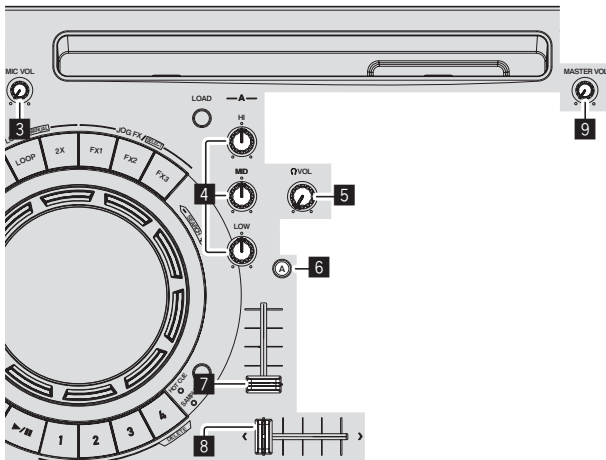
2 Press the [LOAD] button to load the selected track onto the deck.

Playing tracks and outputting the sound

The following describes the procedure for outputting the sound of the left deck as an example.

- Set the volume of the device connected to the [MASTER OUT] terminals (power amplifier, powered speakers, etc.) to an appropriate level. Note that the output sound may be loud if the volume is set too high.

Mixer section

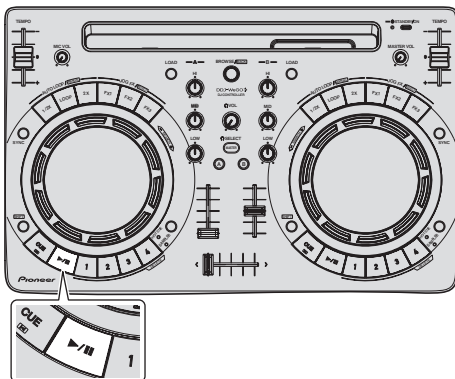


- MIC VOL control
- EQ (HI, MID, LOW) controls
- HEADPHONES VOL control
- HEADPHONES SELECT A button
- Channel fader
- Crossfader
- MASTER VOL control

1 Set the positions of the controls, etc., as shown below.

| Names of controls, etc. | Position |
|----------------------------|-------------------------------|
| EQ (HI, MID, LOW) controls | Center |
| Channel fader | Moved forward |
| Crossfader | Left edge |
| MASTER VOL control | Turned fully counterclockwise |

2 Press the play/pause button to play the track.



- Move the channel fader away from you.
- Turn the [MASTER VOL] control to adjust the audio level of the speakers.

Adjust the audio level output from the [MASTER OUT] terminals to an appropriate level.

Monitoring sound with headphones

1 Set the positions of the controls, etc., as shown below.

| Names of controls, etc. | Position |
|-------------------------|-------------------------------|
| HEADPHONES VOL control | Turned fully counterclockwise |

2 Press the [HEADPHONES SELECT A] button.

3 Turn the [HEADPHONES VOL] control.

Adjust the sound level output from the headphones to an appropriate level.

Inputting the sound of the microphone

The sound of the microphone connected to the [MIC] terminal can be mixed.

1 Connect the microphone to the [MIC] terminal.

2 Adjust the audio level input to the [MIC] terminal.

- Turn the [MIC VOL] control: The [MIC] terminal's input audio level is adjusted.
- Only the volume of the microphone's sound can be adjusted.
- The sound of the microphone is not output from the headphones.

Quitting the system

1 Quit dJAY 2 for iPad/iPhone or vJAY for iPad/iPhone.

2 Press the [STANDBY/ON] button until the unit enters standby.

3 Disconnect the iPhone/iPad connection cable from the iPhone or iPad.



Note

The software manuals of dJAY 2 for iPad/iPhone and vJAY for iPad/iPhone can be downloaded from the algoriddim website.

For details, see [Software Info] of [DDJ-WeGO3] on the Pioneer DJ support site below.

<http://pioneerdj.com/support/>

djay for Mac

Before installing djay for Mac

djay for Mac is a DJ software application by algoriddim. DJ performances are possible by connecting the computer on which this software is installed to this unit.

The following describes how to install djay for Mac. Be sure to read these instructions before installation.

- Before installing djay for Mac, be sure to log in with administrator privileges.
- djay for Mac is DJ software specifically for Macintosh.
- Some music data purchased from iTunes Store (excluding iTunes Plus) cannot be recorded or monitored due to digital rights management (DRM).

Caution

djay for Mac is a product of algoriddim. Pioneer basically does not accept inquiries on how to operate djay for Mac. For the functions of djay for Mac and the operating procedures, see [Software Info] of [DDJ-WeGO3] on the Pioneer DJ support site below. <http://pioneerdj.com/support/>

System requirements

| Supported operating systems | CPU and required memory |
|-------------------------------------|--|
| Mac OS X: 10.9, 10.8, 10.7 and 10.6 | Intel® processor, Core™ Duo 1.6 GHz or better 1 GB or more of RAM |

Others

| | |
|---------------------|--|
| Display resolution | Resolution of 1 024 x 768 or greater |
| Internet connection | An Internet connection is required to download djay for Mac. |

- For information on the latest system requirements, compatibility, and supported operating systems, see "Software Info" of "DDJ-WeGO3" on the Pioneer DJ support site below. <http://pioneerdj.com/support/>
- Use a computer that meets the system requirements described above. The system requirements for DJ software may differ.
- Full functionality is not guaranteed on all computers, even those meeting the operating environment requirements described above.
- Even with the required memory indicated for the operating environment above, lack of memory due to resident programs, the number of services, etc., could prevent the software from offering optimal functionality and performance. In such cases, free up sufficient memory.
- Depending on the power-saving settings and other conditions of the computer, the CPU and hard disk processing capacity may be insufficient. In particular, when using a notebook computer, connect an AC power supply and always use the computer with the settings configured for high performance.
- Problems may occur with operation depending on the other software that you use.
- Use of the Internet requires a separate contract with a provider offering Internet services and payment of provider fees.

Installing djay for Mac

Installation Procedure

- 1 Access the Pioneer DJ support site and click [Software Info] under [DDJ-WeGO3].
- 2 Click [djay / vjay Support Information] and then click the link to the djay for Mac download page. The djay for Mac download page appears.
- 3 Download djay for Mac.
- 4 Extract the downloaded file.
- 5 Move the [djay] icon which is displayed after extracting the file to the [Applications] folder.

6 Double-click the [djay] icon in the [Applications] folder to start djay for Mac.

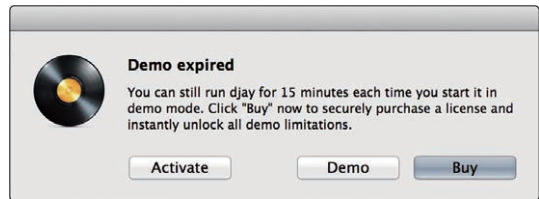
When the software is started for the first time, the software end user license agreement appears.

Carefully read the software end user license agreement and click [Agree] if you agree.

If you do not agree, click [Decline] to cancel the installation.

7 Follow the instructions on the displayed screens and install the software.

When the following screen appears, click [Activate].



On the following screen, enter the serial number of djay for Mac that is located at the bottom of the unit and then complete the activation.



If you perform operation as described in the instructions on the screens, djay for Mac will start.

8 Quit djay for Mac.

The installation is now complete.

Operation

Connections

For the connection procedure, see "Connections" in Operating Instructions (DJ unit Setup).

- 1 Connect this unit to your computer via a USB cable.
- 2 Turn on the computer's power.
- 3 Press the [STANDBY/ON] button on the unit to turn on the power.

After the startup illumination ends, the unit is ready for use.

Starting the system

- 1 In Finder, open the [Applications] folder, then click the [djay] icon.
- 2 When djay for Mac starts, the sound output settings screen appears. Confirm that the [Main Output] and [Pre-Cueing] check boxes are selected and then click [OK].
 - To output sound from the computer's speaker, clear the [Main Output] check box.

Confirming and changing the audio device settings

If sound is not output or you wish to change the sound output destination, confirm or change the audio device settings as described below.

Caution

The audio device settings may change depending on the startup order of this unit and djay for Mac. Confirm the settings each time djay for Mac starts.

1 From the menu bar, select [djay] > [Preference].

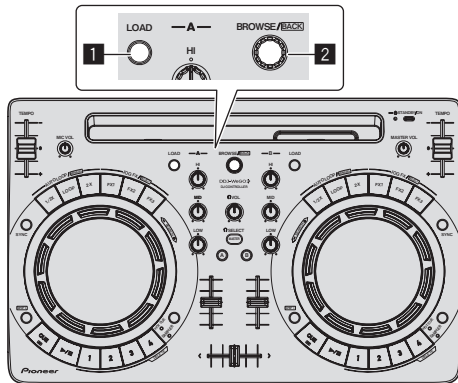
2 Select [Devices], set the master and monitor audio output methods, and click [Apply].

To output master and monitor audio from the unit, configure the settings as follows.

- [Main Output]: [PIONEER DDJ-WeGO3 Audio Out/ch 1-2]
 - [Pre-Cueing]: [PIONEER DDJ-WeGO3 Audio Out/ch 3-4]
 - [Microphone]: Clear the check box.
- [Pre-Cueing] may be set to [ch 1-2] immediately after installation. If it is, change [Pre-Cueing] to [ch 3-4].

Loading tracks and playing them

The following describes the procedure for loading tracks onto the left deck as an example.



1 LOAD button

2 Rotary selector

1 Press the rotary selector, move the cursor to the library on the computer's screen, then turn the rotary selector and select the track.

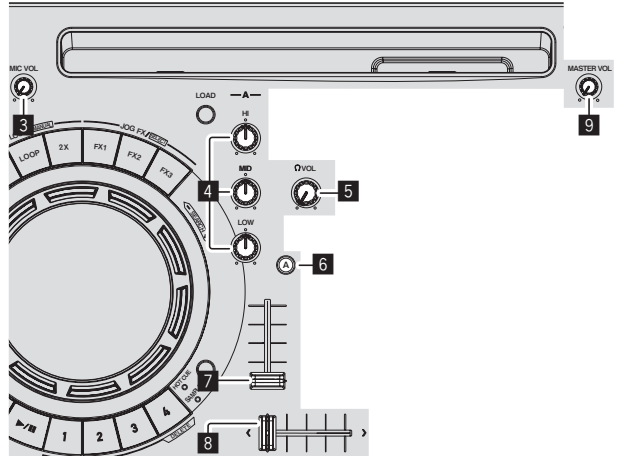
2 Press the [LOAD] button to load the selected track onto the deck.

Playing tracks and outputting the sound

The following describes the procedure for outputting the sound of the left deck as an example.

- Set the volume of the device connected to the [MASTER OUT] terminals (power amplifier, powered speakers, etc.) to an appropriate level. Note that the output sound may be loud if the volume is set too high.

Mixer section



3 MIC VOL control

4 EQ (HI, MID, LOW) controls

5 HEADPHONES VOL control

6 HEADPHONES SELECT A button

7 Channel fader

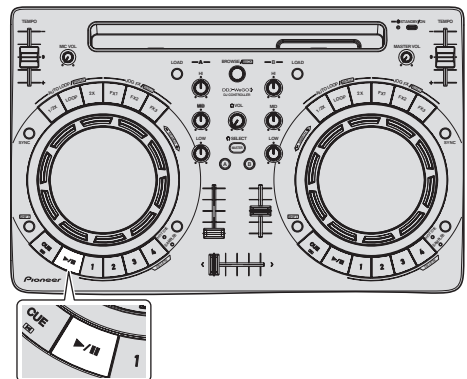
8 Crossfader

9 MASTER VOL control

1 Set the positions of the controls, etc., as shown below.

| Names of controls, etc. | Position |
|----------------------------|-------------------------------|
| EQ (HI, MID, LOW) controls | Center |
| Channel fader | Moved forward |
| Crossfader | Left edge |
| MASTER VOL control | Turned fully counterclockwise |

2 Press the play/pause button to play the track.



3 Move the channel fader away from you.

4 Turn the [MASTER VOL] control to adjust the audio level of the speakers.

Adjust the audio level output from the [MASTER OUT] terminals to an appropriate level.

Monitoring sound with headphones

1 Set the positions of the controls, etc., as shown below.

| Names of controls, etc. | Position |
|-------------------------|-------------------------------|
| HEADPHONES VOL control | Turned fully counterclockwise |

2 Press the [HEADPHONES SELECT A] button.

3 Turn the [HEADPHONES VOL] control.

Adjust the sound level output from the headphones to an appropriate level.

Inputting the sound of the microphone

The sound of the microphone connected to the [MIC] terminal can be mixed.

1 Connect the microphone to the [MIC] terminal.

2 Adjust the audio level input to the [MIC] terminal.

- Turn the [MIC VOL] control: The [MIC] terminal's input audio level is adjusted.
- Only the volume of the microphone's sound can be adjusted.
- The sound of the microphone is not output from the headphones.

Quitting the system

1 Quit djay for Mac.

2 Press the [STANDBY/ON] button until the unit enters standby.

3 Disconnect the USB cable from your computer.



Note

The software manual of djay for Mac can be downloaded from the algoriddim website.

For details, see [Software Info] of [DDJ-WeGO3] on the Pioneer DJ support site below.

<http://pioneerdj.com/support/>

Serato DJ Intro

Before installing Serato DJ Intro

Installing the exclusive driver software for this unit on your computer

This driver software is an exclusive ASIO driver for outputting audio signals from the computer.

- There is no need to install the driver software when using Mac. Proceed to *Installation procedure (Mac OS X) of Installing Serato DJ Intro*.

System requirements

| Supported operating systems | |
|---|---------------------------------|
| Windows® 8.1/8, Windows® 8.1/8 Pro | 32-bit version ✓ |
| | 64-bit version ✓ ^[1] |
| Windows® 7 Home Premium/Professional/Ultimate | 32-bit version ✓ |
| | 64-bit version ✓ ^[1] |

- [1] When using a 64-bit version of Windows, the driver software can only be used for 32-bit applications.

Downloading the latest driver software

See **[Software Download]** under **[DDJ-WeGO3]** on the Pioneer DJ support site below, and download the latest exclusive driver software for this unit.

<http://pioneerdj.com/support/>

Before installing the driver software

- Press the **[STANDBY/ON]** button for at least 1 second, set this unit on standby status, and remove the USB cable that connects the unit and the computer.
- If any other programs are running on the computer, quit them.

Software end user license agreement

This Software End User License Agreement ("Agreement") is between you (both the individual installing the Program and any single legal entity for which the individual is acting) ("You" or "Your") and PIONEER CORPORATION ("Pioneer"). TAKING ANY STEP TO SET UP OR INSTALL THE PROGRAM MEANS THAT YOU ACCEPT ALL OF THE TERMS OF THIS LICENSE AGREEMENT. PERMISSION TO DOWNLOAD AND/OR USE THE PROGRAM IS EXPRESSLY CONDITIONED ON YOUR FOLLOWING THESE TERMS. WRITTEN OR ELECTRONIC APPROVAL IS NOT REQUIRED TO MAKE THIS AGREEMENT VALID AND ENFORCEABLE. IF YOU DO NOT AGREE TO ALL OF THE TERMS OF THIS AGREEMENT, YOU ARE NOT AUTHORIZED TO USE THE PROGRAM AND MUST STOP INSTALLING IT OR UNINSTALL IT, AS APPLICABLE.

1 DEFINITIONS

- 1 "Documentation" means written documentation, specifications and help content made generally available by Pioneer to aid in installing and using the Program.
- 2 "Program" means all or any part of Pioneer's software licensed to You by Pioneer under this Agreement.

2 PROGRAM LICENSE

- 1 Limited License. Subject to this Agreement's restrictions, Pioneer grants to You a limited, non-exclusive, non-transferable, license (without the right to sublicense):
 - a To install a single copy of the Program in Your computer or mobile device, to use the Program only for Your personal purpose complying with this Agreement and the Documentation ("Authorized Use");

- b To use the Documentation in support of Your Authorized Use; and
 - c To make one copy of the Program solely for backup purposes, provided that all titles and trademark, copyright and restricted rights notices are reproduced on the copy.
- 2 Restrictions. You will not copy or use the Program or Documentation except as expressly permitted by this Agreement. You will not transfer, sublicense, rent, lease or lend the Program, or use it for third-party training, commercial time-sharing or service bureau use. You will not Yourself or through any third party modify, reverse engineer, disassemble or decompile the Program, except to the extent expressly permitted by applicable law, and then only after You have notified Pioneer in writing of Your intended activities.
 - 3 Ownership. Pioneer or its licensor retains all right, title and interest in and to all patent, copyright, trademark, trade secret and other intellectual property rights in the Program and Documentation, and any derivative works thereof. You do not acquire any other rights, express or implied, beyond the limited license set forth in this Agreement.
 - 4 No Support. Pioneer has no obligation to provide support, maintenance, upgrades, modifications or new releases for the Program or Documentation under this Agreement.

3 WARRANTY DISCLAIMER

THE PROGRAM AND DOCUMENTATION ARE PROVIDED "AS IS" WITHOUT ANY REPRESENTATIONS OR WARRANTIES, AND YOU AGREE TO USE THEM AT YOUR SOLE RISK. TO THE FULLEST EXTENT PERMISSIBLE BY LAW, PIONEER EXPRESSLY DISCLAIMS ALL WARRANTIES OF ANY KIND WITH RESPECT TO THE PROGRAM AND DOCUMENTATION, WHETHER EXPRESS, IMPLIED, STATUTORY, OR ARISING OUT OF COURSE OF PERFORMANCE, COURSE OF DEALING OR USAGE OF TRADE, INCLUDING ANY WARRANTIES OF MERCHANTABILITY, FITNESS FOR A PARTICULAR PURPOSE, SATISFACTORY QUALITY, ACCURACY, TITLE OR NON-INFRINGEMENT.

4 EXPORT CONTROL AND COMPLIANCE WITH LAWS AND REGULATIONS

You may not use or otherwise export or re-export the Program except as authorized by United States law and the laws of the jurisdiction in which the Program was obtained. In particular, but without limitation, the Program may not be exported or re-exported (a) into any U.S.-embargoed countries or (b) to anyone on the U.S. Treasury Department's Specially Designated Nationals List or the U.S. Department of Commerce Denied Persons List or Entity List. By using the Program, you represent and warrant that you are not located in any such country or on any such list. You also agree that you will not use the Program for any purposes prohibited by United States law, including, without limitation, the development, design, manufacture, or production of nuclear, missile, or chemical or biological weapons.

5 U.S. GOVERNMENT RESTRICTED RIGHTS

The Program and Documentations are "commercial computer software" and "commercial computer software documentation" as those terms are defined in 48 C.F.R. §252.227-7014 (a) (1) (2007) and 252.227-7014 (a) (5) (2007). The U.S. Government's rights with respect to the Program and Documentations are limited by this license pursuant to 48 C.F.R. § 12.212 (Computer software) (1995) and 48 C.F.R. §12.211 (Technical data) (1995) and/or 48 C.F.R. §227.7202-3, as applicable. As such, the Program and Documentations are being licensed to the U.S. Government end users: (a) only as "commercial items" as that term is defined in 48 C.F.R. §2.101 generally and as incorporated in DFAR 212.102; and (b) with only those limited rights as are granted to the public pursuant to this license. Under no circumstance will the U.S. Government or its end users be granted any greater rights than we grant to other users, as provided for in this license. Manufacturer is Pioneer Corporation, 1-1 Shin-Ogura, Saiwai-ku, Kawasaki-shi, Kanagawa-Ken, 212-0031 Japan

6 DAMAGES AND REMEDIES FOR BREACH

You agree that any breach of this Agreement's restrictions would cause Pioneer irreparable harm for which money damages alone would be inadequate. In addition to damages and any other remedies to which Pioneer may be entitled, You agree that Pioneer may seek injunctive relief to prevent the actual, threatened or continued breach of this Agreement.

7 TERMINATION

Pioneer may terminate this Agreement at any time upon Your breach of any provision. If this Agreement is terminated, You will stop using the Program, permanently delete it from your computer or mobile device where it resides, and destroy all copies of the Program and Documentation in Your possession, confirming to Pioneer in writing that You have done so. Sections 2.2, 2.3, 2.4, 3, 4, 5, 6, 7 and 8 will continue in effect after this Agreement's termination.

8 GENERAL TERMS

- 1 Limitation of Liability. In no event will Pioneer or its subsidiaries be liable in connection with this Agreement or its subject matter, under any theory of liability, for any indirect, incidental, special, consequential or punitive damages, or damages for lost profits, revenue, business, savings, data, use, or cost of substitute procurement, even if advised of the possibility of such damages or if such damages are foreseeable. In no event will Pioneer's liability for all damages exceed the amounts actually paid by You to Pioneer or its subsidiaries for the Program. The parties acknowledge that the liability limits and risk allocation in this Agreement are reflected in the Program price and are essential elements of the bargain between the parties, without which Pioneer would not have provided the Program or entered into this Agreement.
- 2 The limitations or exclusions of warranties and liability contained in this Agreement do not affect or prejudice Your statutory rights as consumer and shall apply to You only to the extent such limitations or exclusions are permitted under the laws of the jurisdiction where You are located.
- 3 Severability and Waiver. If any provision of this Agreement is held to be illegal, invalid or otherwise unenforceable, that provision will be enforced to the extent possible or, if incapable of enforcement, deemed to be severed and deleted from this Agreement, and the remainder will continue in full force and effect. The waiver by either party of any default or breach of this Agreement will not waive any other or subsequent default or breach.
- 4 No Assignment. You may not assign, sell, transfer, delegate or otherwise dispose of this Agreement or any rights or obligations under it, whether voluntarily or involuntarily, by operation of law or otherwise, without Pioneer's prior written consent. Any purported assignment, transfer or delegation by You will be null and void. Subject to the foregoing, this Agreement will be binding upon and will inure to the benefit of the parties and their respective successors and assigns.
- 5 Entire Agreement. This Agreement constitutes the entire agreement between the parties and supersedes all prior or contemporaneous agreements or representations, whether written or oral, concerning its subject matter. This Agreement may not be modified or amended without Pioneer's prior and express written consent, and no other act, document, usage or custom will be deemed to amend or modify this Agreement.
- 6 You agree that this Agreement shall be governed and construed by and under the laws of Japan.

Installation Procedure

Do not connect this unit and the computer until installation is completed.

- Log on as the user which was set as the computer's administrator before installing.
- If any other programs are running on the computer, quit them.

1 Download the driver installer from the Pioneer DJ support site.

2 When downloading is complete, double-click the [Pioneer_DDJ_WeGO3_Driver_x.xxx.exe] icon.

3 Proceed with installation according to the instructions on the screen.

If **[Windows Security]** appears on the screen while the installation is in progress, click **[Install this driver software anyway]** and continue with the installation.

When the installation program is completed, a completion message appears.

After installing the driver software, install the Serato DJ Intro software.

Installing Serato DJ Intro

About Serato DJ Intro

Serato DJ Intro is a DJ software application by Serato. DJ performances are possible by connecting the computer on which this software is installed to this unit.

System requirements

| Supported operating systems | CPU and required memory |
|--|--|
| Mac OS X: 10.9, 10.8, 10.7 and 10.6 | Intel® processor, Core™ Duo 1.6 GHz or better Intel® processor, Core™ i3, i5, or i7 1 GB or more of RAM |
| Windows: Windows 8.1/8 and Windows 7 (SP1) | Intel® processor, Core™ 2 Duo 2.0 GHz or better 1 GB or more of RAM |
| Others | |
| USB port | A USB 2.0 port is required to connect the computer with this unit. |
| Display resolution | Resolution of 1 024 x 768 or greater |
| Internet connection | An Internet connection is required for registering the "Serato.com" user account and downloading the software. |

- For information on the latest system requirements, compatibility, and supported operating systems, see "Software Info" of "DDJ-WeGO3" on the Pioneer DJ support site below.
<http://pioneerdj.com/support/>
- Use a computer that meets the system requirements described above. The system requirements for DJ software may differ.
- Full functionality is not guaranteed on all computers, even those meeting the operating environment requirements described above.
- Even with the required memory indicated for the operating environment above, lack of memory due to resident programs, the number of services, etc., could prevent the software from offering optimal functionality and performance. In such cases, free up sufficient memory.
- Depending on the power-saving settings and other conditions of the computer, the CPU and hard disk processing capacity may be insufficient. In particular, when using a notebook computer, connect an AC power supply and always use the computer with the settings configured for high performance.
- Problems may occur with operation depending on the other software that you use.
- Use of the Internet requires a separate contract with a provider offering Internet services and payment of provider fees.
- Operation is not guaranteed with AMD CPUs.

Installation procedure (Windows)

1 Access the Pioneer DJ support site and click [Software Info] under [DDJ-WeGO3].

2 Click [Serato DJ Support Information] and then click the link to the Serato DJ Intro download page.

The Serato DJ Intro download page appears.

3 Log in to your “Serato.com” user account.

- If you have already registered a user account on “Serato.com”, proceed to step 5.
- If you have not completed registering your user account, do so following the procedure below.
 - Following the instructions on the screen, input your e-mail address and the password you want to set, then select the region in which you live.
 - If you check **[E-mail me Serato newsletters]**, newsletters providing the latest information on Serato products will be sent from Serato.
 - Once user account registration is completed, you will receive an e-mail at the e-mail address you have input. Check the contents of the e-mail sent from “Serato.com”.
- Be careful not to forget the e-mail address and password specified when you performed user registration. They will be required for updating the software.
- The personal information input when registering a new user account may be collected, processed and used based on the privacy policy on the Serato website.

4 Click the link in the e-mail message sent from “Serato.com”.

This takes you to the Serato DJ Intro download page. Proceed to step 6.

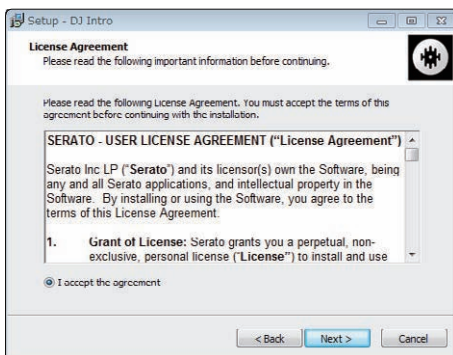
5 Log in.

Input the e-mail address and password you have registered to log in to “Serato.com”.

6 Download the Serato DJ Intro software from the download page.

Unzip the downloaded file, then double-click the unzipped file to launch the installer.

7 Read the terms of the license agreement carefully, and if you agree, select [I accept the agreement], then click [Next].

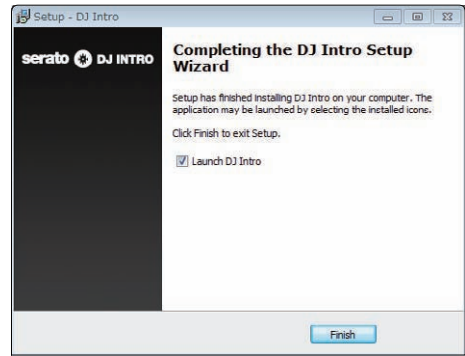


- If you do not agree to the contents of the license agreement, click **[Cancel]** to cancel installation.

Installation begins.

The message of successful installation appears once installation is completed.

8 Click [Finish] to quit the Serato DJ Intro installer.



The installation is now complete.

Installation procedure (Mac OS X)

Do not connect this unit and the computer until installation is completed.

- If any other programs are running on the computer, quit them.

1 Access the Pioneer DJ support site and click [Software Info] under [DDJ-WeGO3].

2 Click [Serato DJ Support Information] and then click the link to the Serato DJ Intro download page.

The Serato DJ Intro download page appears.

3 Log in to your “Serato.com” user account.

- If you have already registered a user account on “Serato.com”, proceed to step 5.
- If you have not completed registering your user account, do so following the procedure below.
 - Following the instructions on the screen, input your e-mail address and the password you want to set, then select the region in which you live.
 - If you check **[E-mail me Serato newsletters]**, newsletters providing the latest information on Serato products will be sent from Serato.
 - Once user account registration is completed, you will receive an e-mail at the e-mail address you have input. Check the contents of the e-mail sent from “Serato.com”.
- Be careful not to forget the e-mail address and password specified when you performed user registration. They will be required for updating the software.
- The personal information input when registering a new user account may be collected, processed and used based on the privacy policy on the Serato website.

4 Click the link in the e-mail message sent from “Serato.com”.

This takes you to the Serato DJ Intro download page. Proceed to step 6.

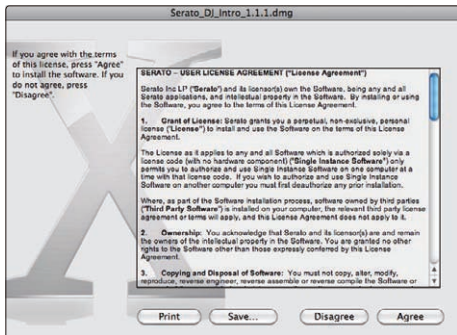
5 Log in.

Input the e-mail address and password you have registered to log in to “Serato.com”.

6 Download the Serato DJ Intro software from the download page.

Unzip the downloaded file, then double-click the unzipped file to launch the installer.

7 Read the terms of the license agreement carefully, and if you agree, click [Agree].



- If you do not agree to the contents of the usage agreement, click [Disagree] to cancel installation.

8 If the following screen appears, drag and drop the [Serato DJ Intro] icon on the [Applications] folder icon.



About the driver software and setting utility software

This unit functions as an audio device conforming to the ASIO standards.

Using the settings utility software

This function can only be used by those using a Windows operating system.

❖ Launching the settings utility software

Click the Windows [Start] menu>[All Programs]>[Pioneer]>[DDJ_WeGO3]>[DDJ_WeGO3 ASIO Settings Utility].

- For Windows 8, click [DDJ_WeGO3 ASIO Settings Utility] from the [Start] screen.

❖ Adjusting the buffer size

In the same way as the buffer size setting in the Serato DJ Intro software, decreasing the value of the [Kernel Buffers] setting lowers the transfer delay (latency) of the audio data, while increasing the value reduces the tendency for dropouts in the audio data (breaks in the sound).

The setting at [USB BUFFER SIZE (LATENCY)] in the Serato DJ Intro software's [SETUP] menu has priority for the buffer size. (The default setting is 512 samples/10 ms.)

- For details on making the settings on the DJ software, see the Serato DJ Intro software manual.
- If the [Buffer Size] or [Kernel Buffers] number is made large, drops in the data (breaks in the sound), etc., occur less easily, but the time lag due to transmission delays in the audio data (latency) increases.

❖ If breaks in the sound occur with the default setting

1 Launch [DDJ_WeGO3 ASIO Settings Utility] and change [Kernel Buffers] to [4].

2 Set [USB BUFFER SIZE (LATENCY)] in the Serato DJ Intro software to the minimum buffer size at which no breaks in the sound occur.

❖ If no breaks in the sound occur with the default setting

1 Set [USB BUFFER SIZE (LATENCY)] in the Serato DJ Intro software to the minimum buffer size at which no breaks in the sound occur.

2 Launch [DDJ_WeGO3 ASIO Settings Utility], change [Kernel Buffers] to [2], and check that no breaks in the sound occur.

3 If no breaks in the sound occur, set [USB BUFFER SIZE (LATENCY)] in the Serato DJ Intro software to the minimum buffer size at which no breaks in the sound occur. If breaks in the sound do occur, change [Kernel Buffers] in the [DDJ_WeGO3 ASIO Settings Utility] to [3].

Checking the version of the driver software

Click the Windows [Start] menu>[All Programs]>[Pioneer]>[DDJ_WeGO3]>[DDJ_WeGO3 Version Display Utility].

- For Windows 8, click [DDJ_WeGO3 Version Display Utility] from the [Start] screen.
- You can check the firmware version of this unit on the screen.
- The firmware version is not displayed when this unit is not connected to the computer or when this unit and computer are not properly communicating.

Operation

Connections

For the connection procedure, see “Connections” in Operating Instructions (DJ unit Setup).

1 Connect this unit to your computer via a USB cable.

2 Turn on the computer's power.

Cautions for people using Windows

When you connect this unit to a computer for the first time or connect it to a different USB terminal, the [Installing device driver software] alert may appear. If it appears, wait until the installation finishes. At that time, the [Device driver software was not successfully installed] alert will appear, but there will be no influence on the operation of this unit so proceed to the next step.

- If you click the alert, you can confirm details on the alert.

The installation is successful if the device driver software other than [iAP Interface] is installed correctly.

3 Press the [STANDBY/ON] button on the unit to turn on the power.

After the startup illumination ends, the unit is ready for use.

Starting the system

❖ Launching Serato DJ Intro

For detailed instructions on operating the Serato DJ Intro software, see the Serato DJ Intro software manual.

For Windows 7

From the Windows [Start] menu, click the [Serato DJ Intro] icon under [All Programs] > [Serato] > [DJ Intro].

For Windows 8

From [Apps view], click the [Serato DJ Intro] icon.

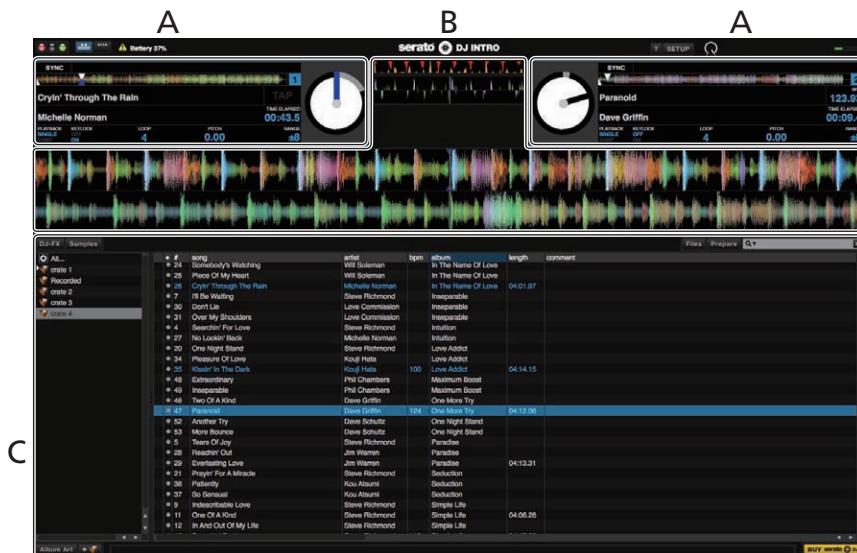
For Mac OS X

In Finder, open the [Applications] folder, then click the [Serato DJ Intro] icon.

Computer screen directly after the Serato DJ Intro software is launched



Computer screen when a track is loaded in the Serato DJ Intro software



A Deck section

The track information (the name of the loaded track, artist name, BPM, etc.), the overall waveform and other information is displayed here.

B Waveform display

The loaded track's waveform is displayed here.

C Browser section

Crates in which tracks in the library or sets of multiple tracks are stored are displayed here.

Importing tracks

The following describes the typical procedure for importing tracks.

- There are various ways to import tracks with the Serato DJ Intro software. For details, see the Serato DJ Intro software manual.
- If you are already using Serato DJ software (Scratch Live, ITCH or Serato DJ) and have already created track libraries, the track libraries you have previously created can be used as such.

1 Click the [Files] key on the Serato DJ Intro software screen to open the [Files] panel.

The contents of your computer or the peripheral connected to the computer are displayed in the [Files] panel.

2 Click the folder on the [Files] panel containing the tracks you want to add to the library to select it.

3 On the Serato DJ Intro software screen, drag and drop the selected folder to the crates panel.

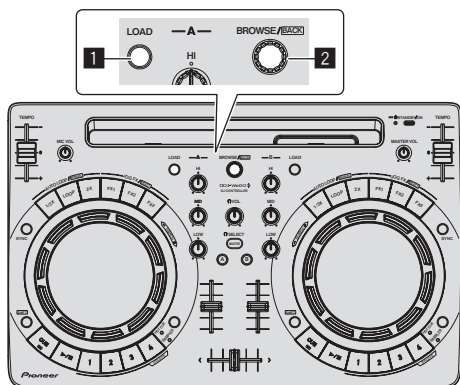
A crate is created and the tracks are added to the library.



a [Files] panel
b Crates panel

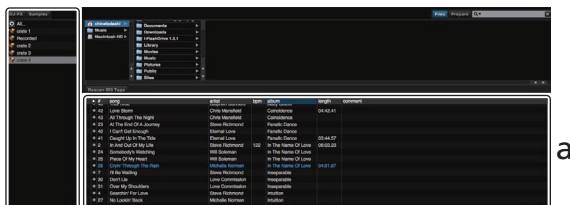
Loading tracks and playing them

The following describes the procedure for loading tracks onto the left deck as an example.



1 LOAD button
2 Rotary selector

1 Press the rotary selector, move the cursor to the library on the computer's screen, then turn the rotary selector and select the track.



a Library
b Crates panel

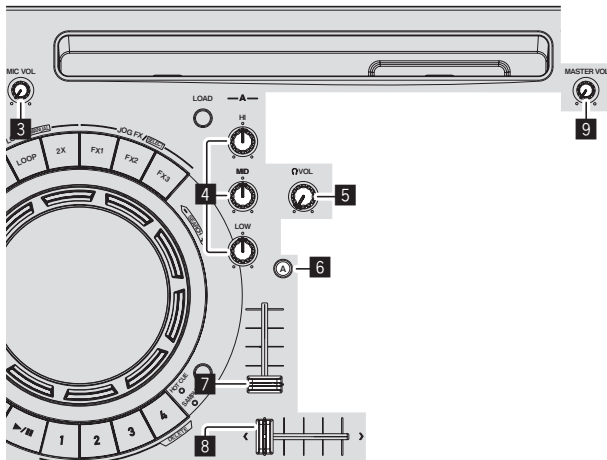
2 Press the [LOAD] button to load the selected track onto the deck.

Playing tracks and outputting the sound

The following describes the procedure for outputting the sound of the left deck as an example.

- Set the volume of the device connected to the [MASTER OUT] terminals (power amplifier, powered speakers, etc.) to an appropriate level. Note that the output sound may be loud if the volume is set too high.

Mixer section

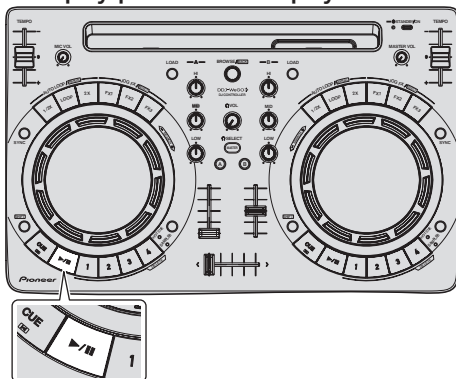


- 3 MIC VOL control
- 4 EQ (HI, MID, LOW) controls
- 5 HEADPHONES VOL control
- 6 HEADPHONES SELECT A button
- 7 Channel fader
- 8 Crossfader
- 9 MASTER VOL control

1 Set the positions of the controls, etc., as shown below.

| Names of controls, etc. | Position |
|----------------------------|-------------------------------|
| EQ (HI, MID, LOW) controls | Center |
| Channel fader | Moved forward |
| Crossfader | Left edge |
| MASTER VOL control | Turned fully counterclockwise |

2 Press the play/pause button to play the track.



- 3 Move the channel fader away from you.
- 4 Turn the [MASTER VOL] control to adjust the audio level of the speakers.

Adjust the audio level output from the [MASTER OUT] terminals to an appropriate level.

Monitoring sound with headphones

1 Set the positions of the controls, etc., as shown below.

| Names of controls, etc. | Position |
|-------------------------|-------------------------------|
| HEADPHONES VOL control | Turned fully counterclockwise |

2 Press the [HEADPHONES SELECT A] button.

3 Turn the [HEADPHONES VOL] control.

Adjust the sound level output from the headphones to an appropriate level.

Inputting the sound of the microphone

The sound of the microphone connected to the [MIC] terminal can be mixed.

1 Connect the microphone to the [MIC] terminal.

2 Adjust the audio level input to the [MIC] terminal.

- Turn the [MIC VOL] control: The [MIC] terminal's input audio level is adjusted.
- Only the volume of the microphone's sound can be adjusted.
- The sound of the microphone is not output from the headphones.

Quitting the system

1 Quit Serato DJ Intro.

When the software is closed, a message for confirming that you want to close it appears on the computer's screen. Click [Yes] to close.

2 Press the [STANDBY/ON] button until the unit enters standby.

3 Disconnect the USB cable from your computer.



Note

The software manual of Serato DJ Intro can be downloaded from the Serato website.

For details, see [Software Info] of [DDJ-WeGO3] on the Pioneer DJ support site below.

<http://pioneerdj.com/support/>

Upgrading

This unit is also compatible with the Serato DJ Intro upgrade version Serato DJ.

For details on the upgrade, see [Serato DJ Support Information] of [Software Info] of [DDJ-WeGO3] on the Pioneer DJ support site below.
<http://pioneerdj.com/support/>

VirtualDJ LE 8

Before installing VirtualDJ LE 8

Installing the exclusive driver software for this unit on your computer

This driver software is an exclusive ASIO driver for outputting audio signals from the computer.

- There is no need to install the driver software when using Mac.
Proceed to *Installation procedure (Mac OS X) of Installing VirtualDJ LE 8*.

System requirements

| Supported operating systems | |
|---|---------------------------------|
| Windows® 8.1/8, Windows® 8.1/8 Pro | 32-bit version ✓ |
| | 64-bit version ✓ ^[1] |
| Windows® 7 Home Premium/Professional/Ultimate | 32-bit version ✓ |
| | 64-bit version ✓ ^[1] |

[1] When using a 64-bit version of Windows, the driver software can only be used for 32-bit applications.

Downloading the latest driver software

See [Software Download] under [DDJ-WeGO3] on the Pioneer DJ support site below, and download the latest exclusive driver software for this unit.

<http://pioneerdj.com/support/>

Before installing the driver software

- Press the [STANDBY/ON] button for at least 1 second, set this unit on standby status, and remove the USB cable that connects the unit and the computer.
- If any other programs are running on the computer, quit them.

Software end user license agreement

This Software End User License Agreement ("Agreement") is between you (both the individual installing the Program and any single legal entity for which the individual is acting) ("You" or "Your") and PIONEER CORPORATION ("Pioneer").

TAKING ANY STEP TO SET UP OR INSTALL THE PROGRAM MEANS THAT YOU ACCEPT ALL OF THE TERMS OF THIS LICENSE AGREEMENT. PERMISSION TO DOWNLOAD AND/OR USE THE PROGRAM IS EXPRESSLY CONDITIONED ON YOUR FOLLOWING THESE TERMS. WRITTEN OR ELECTRONIC APPROVAL IS NOT REQUIRED TO MAKE THIS AGREEMENT VALID AND ENFORCEABLE. IF YOU DO NOT AGREE TO ALL OF THE TERMS OF THIS AGREEMENT, YOU ARE NOT AUTHORIZED TO USE THE PROGRAM AND MUST STOP INSTALLING IT OR UNINSTALL IT, AS APPLICABLE.

1 DEFINITIONS

- 1 "Documentation" means written documentation, specifications and help content made generally available by Pioneer to aid in installing and using the Program.
- 2 "Program" means all or any part of Pioneer's software licensed to You by Pioneer under this Agreement.

2 PROGRAM LICENSE

- 1 Limited License. Subject to this Agreement's restrictions, Pioneer grants to You a limited, non-exclusive, non-transferable, license (without the right to sublicense):
 - a To install a single copy of the Program in Your computer or mobile device, to use the Program only for Your personal purpose complying with this Agreement and the Documentation ("Authorized Use");

- b To use the Documentation in support of Your Authorized Use; and
- c To make one copy of the Program solely for backup purposes, provided that all titles and trademark, copyright and restricted rights notices are reproduced on the copy.

- 2 Restrictions. You will not copy or use the Program or Documentation except as expressly permitted by this Agreement. You will not transfer, sublicense, rent, lease or lend the Program, or use it for third-party training, commercial time-sharing or service bureau use. You will not Yourself or through any third party modify, reverse engineer, disassemble or decompile the Program, except to the extent expressly permitted by applicable law, and then only after You have notified Pioneer in writing of Your intended activities.
- 3 Ownership. Pioneer or its licensor retains all right, title and interest in and to all patent, copyright, trademark, trade secret and other intellectual property rights in the Program and Documentation, and any derivative works thereof. You do not acquire any other rights, express or implied, beyond the limited license set forth in this Agreement.
- 4 No Support. Pioneer has no obligation to provide support, maintenance, upgrades, modifications or new releases for the Program or Documentation under this Agreement.

3 WARRANTY DISCLAIMER

THE PROGRAM AND DOCUMENTATION ARE PROVIDED "AS IS" WITHOUT ANY REPRESENTATIONS OR WARRANTIES, AND YOU AGREE TO USE THEM AT YOUR SOLE RISK. TO THE FULLEST EXTENT PERMISSIBLE BY LAW, PIONEER EXPRESSLY DISCLAIMS ALL WARRANTIES OF ANY KIND WITH RESPECT TO THE PROGRAM AND DOCUMENTATION, WHETHER EXPRESS, IMPLIED, STATUTORY, OR ARISING OUT OF COURSE OF PERFORMANCE, COURSE OF DEALING OR USAGE OF TRADE, INCLUDING ANY WARRANTIES OF MERCHANTABILITY, FITNESS FOR A PARTICULAR PURPOSE, SATISFACTORY QUALITY, ACCURACY, TITLE OR NON-INFRINGEMENT.

4 EXPORT CONTROL AND COMPLIANCE WITH LAWS AND REGULATIONS

You may not use or otherwise export or re-export the Program except as authorized by United States law and the laws of the jurisdiction in which the Program was obtained. In particular, but without limitation, the Program may not be exported or re-exported (a) into any U.S.-embargoed countries or (b) to anyone on the U.S. Treasury Department's Specially Designated Nationals List or the U.S. Department of Commerce Denied Persons List or Entity List. By using the Program, you represent and warrant that you are not located in any such country or on any such list. You also agree that you will not use the Program for any purposes prohibited by United States law, including, without limitation, the development, design, manufacture, or production of nuclear, missile, or chemical or biological weapons.

5 U.S. GOVERNMENT RESTRICTED RIGHTS

The Program and Documentations are "commercial computer software" and "commercial computer software documentation" as those terms are defined in 48 C.F.R. §252.227-7014 (a) (1) (2007) and 252.227-7014 (a) (5) (2007). The U.S. Government's rights with respect to the Program and Documentations are limited by this license pursuant to 48 C.F.R. § 12.212 (Computer software) (1995) and 48 C.F.R. §12.211 (Technical data) (1995) and/or 48 C.F.R. §227.7202-3, as applicable. As such, the Program and Documentations are being licensed to the U.S. Government end users: (a) only as "commercial items" as that term is defined in 48 C.F.R. §2.101 generally and as incorporated in DFAR 212.102; and (b) with only those limited rights as are granted to the public pursuant to this license. Under no circumstance will the U.S. Government or its end users be granted any greater rights than we grant to other users, as provided for in this license. Manufacturer is Pioneer Corporation, 1-1 Shin-Ogura, Saiwai-ku, Kawasaki-shi, Kanagawa-Ken, 212-0031 Japan

6 DAMAGES AND REMEDIES FOR BREACH

You agree that any breach of this Agreement's restrictions would cause Pioneer irreparable harm for which money damages alone would be inadequate. In addition to damages and any other remedies to which Pioneer may be entitled, You agree that Pioneer may seek injunctive relief to prevent the actual, threatened or continued breach of this Agreement.

7 TERMINATION

Pioneer may terminate this Agreement at any time upon Your breach of any provision. If this Agreement is terminated, You will stop using the Program, permanently delete it from your computer or mobile device where it resides, and destroy all copies of the Program and Documentation in Your possession, confirming to Pioneer in writing that You have done so. Sections 2.2, 2.3, 2.4, 3, 4, 5, 6, 7 and 8 will continue in effect after this Agreement's termination.

8 GENERAL TERMS

- 1 Limitation of Liability. In no event will Pioneer or its subsidiaries be liable in connection with this Agreement or its subject matter, under any theory of liability, for any indirect, incidental, special, consequential or punitive damages, or damages for lost profits, revenue, business, savings, data, use, or cost of substitute procurement, even if advised of the possibility of such damages or if such damages are foreseeable. In no event will Pioneer's liability for all damages exceed the amounts actually paid by You to Pioneer or its subsidiaries for the Program. The parties acknowledge that the liability limits and risk allocation in this Agreement are reflected in the Program price and are essential elements of the bargain between the parties, without which Pioneer would not have provided the Program or entered into this Agreement.
- 2 The limitations or exclusions of warranties and liability contained in this Agreement do not affect or prejudice Your statutory rights as consumer and shall apply to You only to the extent such limitations or exclusions are permitted under the laws of the jurisdiction where You are located.
- 3 Severability and Waiver. If any provision of this Agreement is held to be illegal, invalid or otherwise unenforceable, that provision will be enforced to the extent possible or, if incapable of enforcement, deemed to be severed and deleted from this Agreement, and the remainder will continue in full force and effect. The waiver by either party of any default or breach of this Agreement will not waive any other or subsequent default or breach.
- 4 No Assignment. You may not assign, sell, transfer, delegate or otherwise dispose of this Agreement or any rights or obligations under it, whether voluntarily or involuntarily, by operation of law or otherwise, without Pioneer's prior written consent. Any purported assignment, transfer or delegation by You will be null and void. Subject to the foregoing, this Agreement will be binding upon and will inure to the benefit of the parties and their respective successors and assigns.
- 5 Entire Agreement. This Agreement constitutes the entire agreement between the parties and supersedes all prior or contemporaneous agreements or representations, whether written or oral, concerning its subject matter. This Agreement may not be modified or amended without Pioneer's prior and express written consent, and no other act, document, usage or custom will be deemed to amend or modify this Agreement.
- 6 You agree that this Agreement shall be governed and construed by and under the laws of Japan.

Installation Procedure

Do not connect this unit and the computer until installation is completed.

- Log on as the user which was set as the computer's administrator before installing.
- If any other programs are running on the computer, quit them.

1 Download the driver installer from the Pioneer DJ support site.

2 When downloading is complete, double-click the [Pioneer_DDJ_WeGO3_Driver_x.xxx.exe] icon.

3 Proceed with installation according to the instructions on the screen.

If [Windows Security] appears on the screen while the installation is in progress, click [Install this driver software anyway] and continue with the installation.

When the installation program is completed, a completion message appears.

After installing the driver software, install the VirtualDJ LE 8 software.

Installing VirtualDJ LE 8

About VirtualDJ LE 8

VirtualDJ LE 8 is a DJ software application by Atomix productions. DJ performances are possible by connecting the computer on which this software is installed to this unit.

If VIRTUAL DJ is already installed on your computer, VIRTUAL DJ LE will not operate properly. Uninstall all versions of VIRTUAL DJ already installed on your computer before installing VirtualDJ LE 8 for this unit.

For instructions on uninstalling VIRTUAL DJ, see the Pioneer DJ support site below.

<http://pioneerdj.com/support/>

System requirements

| Supported operating systems | CPU and required memory |
|--------------------------------------|---|
| Mac OS X: 10.9, 10.8 and 10.7 | Intel® processor 1 024 MB or more of RAM |
| Windows: Windows 8.1/8 and Windows 7 | Intel® Pentium® 4 or AMD Athlon™ XP 512 MB or more of RAM |
| Others | |
| Hard disk | Free space of 20 MB or greater (Windows) Free space of 30 MB or greater (Mac) |
| USB port | A USB 2.0 port is required to connect the computer with this unit. |
| Internet connection | An Internet connection is required to register the account and download VirtualDJ LE 8. |

The conditions below must be satisfied in order to conduct video mixing.

- Mac
 - ATI™ or NVIDIA® video chipset with 256 MB of dedicated DDR3 RAM
 - Video card must support dual-screen output.
- Windows
 - ATI™ or NVIDIA® video card with 256 MB of dedicated DDR3 RAM
 - Video card must support dual-screen output.
- For information on the latest system requirements, compatibility, and supported operating systems, see "Software Info" of "DDJ-WeGO3" on the Pioneer DJ support site below.
<http://pioneerdj.com/support/>
- Use a computer that meets the system requirements described above. The system requirements for DJ software may differ.
- Full functionality is not guaranteed on all computers, even those meeting the operating environment requirements described above.
- Even with the required memory indicated for the operating environment above, lack of memory due to resident programs, the number of services, etc., could prevent the software from offering optimal functionality and performance. In such cases, free up sufficient memory.
- Depending on the power-saving settings and other conditions of the computer, the CPU and hard disk processing capacity may be insufficient. In particular, when using a notebook computer, connect an AC power supply and always use the computer with the settings configured for high performance.
- Problems may occur with operation depending on the other software that you use.
- Use of the Internet requires a separate contract with a provider offering Internet services and payment of provider fees.

Installation procedure (Windows)

1 Access the Pioneer DJ support site and click [Software Info] under [DDJ-WeGO3].

2 Click [VirtualDJ Support Information] and then click the link to the VirtualDJ LE 8 download page.

The VirtualDJ LE 8 download page appears.

3 On the displayed page, input the serial key printed on this unit's bottom panel, then click [OK].

4 The download link of the installer is displayed; click the installer for Windows to perform download.

5 Double-click the downloaded file.

The installer starts.

6 Follow the instructions on the displayed screens and install the software.

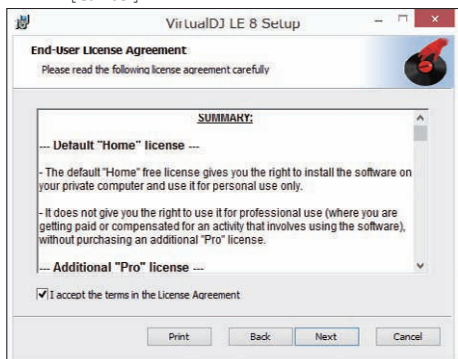
① Click [Next].

— To cancel the installation, click [Cancel].



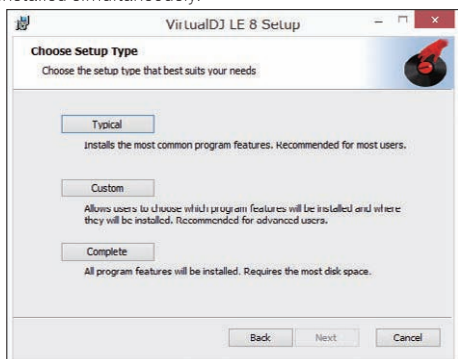
② Read the terms of the license agreement carefully, and if you agree, select [I accept the terms in the License Agreement], then click [Next].

— If you do not agree to the contents of the license agreement, click [Cancel] to cancel installation.

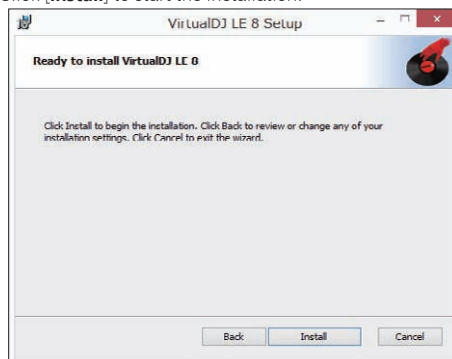


③ Select the type of installation for VirtualDJ LE 8, then click. Normally select [Typical].

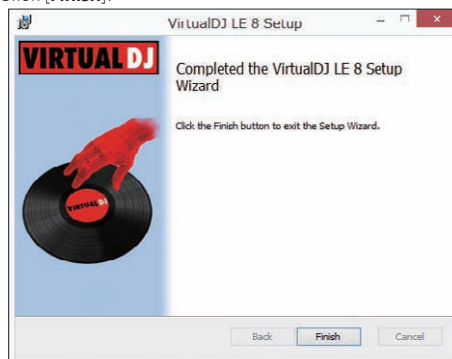
When [Typical] is selected, plug-ins and other components are installed simultaneously.



④ Click [Install] to start the installation.



⑤ Click [Finish].



The installation is now complete.

Installation procedure (Mac OS X)

1 Access the Pioneer DJ support site and click [Software Info] under [DDJ-WeGO3].

2 Click [VirtualDJ Support Information] and then click the link to the VirtualDJ LE 8 download page.

The VirtualDJ LE 8 download page appears.

3 On the displayed page, input the serial key printed on this unit's bottom panel, then click [OK].

4 The download link of the installer is displayed; click the installer for Mac to perform download.

5 Double-click the downloaded file.

The installer starts.

6 Follow the instructions on the displayed screens and install the software.

The installation is now complete.

About the driver software and setting utility software

This unit functions as an audio device conforming to the ASIO standards.

Using the settings utility software

This function can only be used by those using a Windows operating system.

❖ Launching the settings utility software

Click the Windows [Start] menu>[All Programs]>[Pioneer]>[DDJ_WeGO3]>[DDJ_WeGO3 ASIO Settings Utility].

- For Windows 8, click [DDJ_WeGO3 ASIO Settings Utility] from the [Start] screen.

❖ Adjusting the buffer size

In the same way as the buffer size setting in VirtualDJ LE 8, decreasing the value of the [Kernel Buffers] setting lowers the transfer delay (latency) of the audio data, while increasing the value reduces the tendency for dropouts in the audio data (breaks in the sound).

- If the [Buffer Size] or [Kernel Buffers] number is made large, drops in the data (breaks in the sound), etc., occur less easily, but the time lag due to transmission delays in the audio data (latency) increases.

❖ If breaks in the sound occur with the default setting

Launch [DDJ_WeGO3 ASIO Settings Utility] and change [Kernel Buffers] to [4].

❖ If no breaks in the sound occur with the default setting

Launch [DDJ_WeGO3 ASIO Settings Utility], change [Kernel Buffers] to [2], and check that no breaks in the sound occur.

- If breaks in sound occur, change [Kernel Buffers] of [DDJ_WeGO3 ASIO Settings Utility] to [3].

Checking the version of the driver software

Click the Windows [Start] menu>[All Programs]>[Pioneer]>[DDJ_WeGO3]>[DDJ_WeGO3 Version Display Utility].

- For Windows 8, click [DDJ_WeGO3 Version Display Utility] from the [Start] screen.
- You can check the firmware version of this unit on the screen.
- The firmware version is not displayed when this unit is not connected to the computer or when this unit and computer are not properly communicating.

Operation

Connections

For the connection procedure, see “Connections” in Operating Instructions (DJ unit Setup).

1 Connect this unit to your computer via a USB cable.

2 Turn on the computer's power.

Cautions for people using Windows

When you connect this unit to a computer for the first time or connect it to a different USB terminal, the [Installing device driver software] alert may appear. If it appears, wait until the installation finishes. At that time, the [Device driver software was not successfully installed] alert will appear, but there will be no influence on the operation of this unit so proceed to the next step.

- If you click the alert, you can confirm details on the alert.

The installation is successful if the device driver software other than [iAP Interface] is installed correctly.

3 Press the [STANDBY/ON] button on the unit to turn on the power.

After the startup illumination ends, the unit is ready for use.

Starting the system

1 Launch VirtualDJ LE 8.

For Windows 7

From the Windows [Start] menu, click the [All Programs] > [VirtualDJ] > [VirtualDJ 8] icon.

For Windows 8

From [Apps view], click the [VirtualDJ 8] icon.

For Mac OS X

In Finder, open the [Applications] folder, then double-click the [VirtualDJ 8] icon.

2 Log in.

- You can use VirtualDJ LE 8 without login.
 - If you do not want to log in, close the login window and proceed to the next step.
- When VirtualDJ LE 8 is started, the login window appears.
 - Those who have a Virtual DJ account
 - Enter necessary information in the login window to log in.
 - Those who do not have a Virtual DJ account
 - From the login window, create a new account and log in.

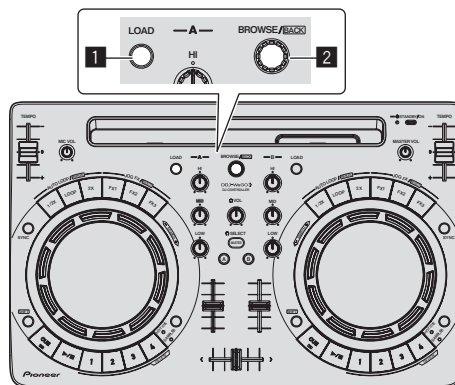
3 Enter the serial key.

Enter the serial number (XXXX-XXXX-XXXXX/WEGO3) printed on this unit's bottom panel as described in the instructions on the screen, then click [OK].

- When serial key is entered without login, the login window is displayed again. However, you can use VirtualDJ LE 8 without login. If you do not want to log in, close the login window.

Loading tracks and playing them

The following describes the procedure for loading tracks onto the left deck as an example.



1 LOAD button

2 Rotary selector

1 Press the rotary selector, move the cursor to the library on the computer's screen, then turn the rotary selector and select the track.

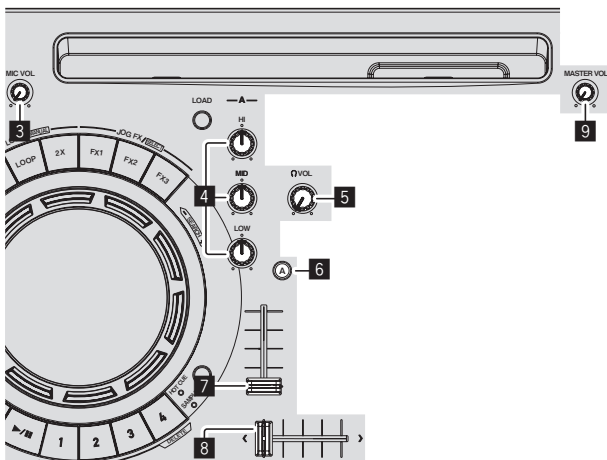
2 Press the [LOAD] button to load the selected track onto the deck.

Playing tracks and outputting the sound

The following describes the procedure for outputting the sound of the left deck as an example.

- Set the volume of the device connected to the [MASTER OUT] terminals (power amplifier, powered speakers, etc.) to an appropriate level. Note that the output sound may be loud if the volume is set too high.

Mixer section



3 MIC VOL control

4 EQ (HI, MID, LOW) controls

5 HEADPHONES VOL control

6 HEADPHONES SELECT A button

7 Channel fader

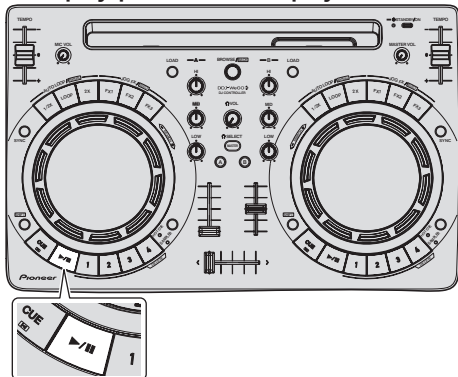
8 Crossfader

9 MASTER VOL control

1 Set the positions of the controls, etc., as shown below.

| Names of controls, etc. | Position |
|----------------------------|-------------------------------|
| EQ (HI, MID, LOW) controls | Center |
| Channel fader | Moved forward |
| Crossfader | Left edge |
| MASTER VOL control | Turned fully counterclockwise |

2 Press the play/pause button to play the track.



3 Move the channel fader away from you.

4 Turn the [MASTER VOL] control to adjust the audio level of the speakers.

Adjust the audio level output from the [MASTER OUT] terminals to an appropriate level.

Monitoring sound with headphones

1 Set the positions of the controls, etc., as shown below.

| Names of controls, etc. | Position |
|-------------------------|-------------------------------|
| HEADPHONES VOL control | Turned fully counterclockwise |

2 Press the [HEADPHONES SELECT A] button.

3 Turn the [HEADPHONES VOL] control.

Adjust the sound level output from the headphones to an appropriate level.

Inputting the sound of the microphone

The sound of the microphone connected to the [MIC] terminal can be mixed.

1 Connect the microphone to the [MIC] terminal.

2 Adjust the audio level input to the [MIC] terminal.

- Turn the [MIC VOL] control: The [MIC] terminal's input audio level is adjusted.
- Only the volume of the microphone's sound can be adjusted.
- The sound of the microphone is not output from the headphones.

Quitting the system

1 Quit VirtualDJ LE 8.

2 Press the [STANDBY/ON] button until the unit enters standby.

3 Disconnect the USB cable from your computer.



Note

The software manual of VirtualDJ LE 8 can be downloaded from the Atomix productions website.

For details, see [Software Info] of [DDJ-WeGO3] on the Pioneer DJ support site below.
<http://pioneerdj.com/support/>

Upgrading

Some of the functions of VirtualDJ LE 8 are limited. To use all of the functions, you need to upgrade to Virtual DJ Pro.

For details on the upgrade, see [VirtualDJ Support Information] of [Software Info] of [DDJ-WeGO3] on the Pioneer DJ support site below.
<http://pioneerdj.com/support/>

Additional information

Using as a controller for other DJ software

This unit also outputs the operating data for the buttons and controls in MIDI format. If you connect a computer with a built-in MIDI-compatible DJ software via a USB cable, you can operate the DJ software on this unit. The sound of music files being played on the computer can also be output from the DDJ-WeGO3.

To use as a controller for other DJ software, first make the DJ software's audio and MIDI related settings.

For details, see your DJ software's operating instructions.

About MIDI messages

For details on this unit's MIDI messages, see "List of MIDI Messages".

- "List of MIDI Messages" can be obtained from **[MIDI-compatible software]** of **[Software Info]** of **[DDJ-WeGO3]** on the Pioneer DJ support site below.
<http://pioneerdj.com/support/>

About trademarks and registered trademarks

- Pioneer is a registered trademark of PIONEER CORPORATION.
- Windows is a registered trademark of Microsoft Corporation in the United States and other countries.
- iPhone, iPad, iPod, iPod touch, iTunes, Finder, Mac, Macintosh and Mac OS are trademarks of Apple Inc., registered in the U.S. and other countries.
- iPad mini and Lightning are trademarks of Apple Inc.
- App Store is a service mark of Apple Inc.
- "Made for iPod," "Made for iPhone," and "Made for iPad" mean that an electronic accessory has been designed to connect specifically to iPod, iPhone, or iPad, respectively, and has been certified by the developer to meet Apple performance standards. Apple is not responsible for the operation of this device or its compliance with safety and regulatory standards. Please note that the use of this accessory with iPod, iPhone, or iPad may affect wireless performance.



- iOS is a trademark on which Cisco holds the trademark right in the US and certain other countries.
- Intel and Intel Core are trademarks of Intel Corporation in the U.S. and/or other countries.
- AMD Athlon is a trademark of Advanced Micro Devices, Inc.
- ASIO is a trademark of Steinberg Media Technologies GmbH.
- djay and vjay are trademarks of Algoriddim GmbH.
- VirtualDJ is a registered trademark of Atomix Productions.
- Serato DJ Intro, Scratch Live, ITCH and Serato DJ are registered trademarks of Serato Audio Research Ltd., registered in the U.S. and other countries.

The names of companies and products mentioned herein are the trademarks of their respective owners.

This product has been licensed for nonprofit use. This product has not been licensed for commercial purposes (for profit-making use), such as broadcasting (terrestrial, satellite, cable or other types of broadcasting), streaming on the Internet, Intranet (a corporate network) or other types of networks or distributing of electronic information (online digital music distribution service). You need to acquire the corresponding licenses for such uses. For details, see <http://www.mp3licensing.com>.

Cautions on copyrights

Recordings you have made are for your personal enjoyment and according to copyright laws may not be used without the consent of the copyright holder.

- Music recorded from CDs, etc., is protected by the copyright laws of individual countries and by international treaties. It is the full responsibility of the person who has recorded the music to ensure that it is used legally.
- When handling music downloaded from the Internet, etc., it is the full responsibility of the person who has downloaded the music to ensure that it is used in accordance with the contract concluded with the download site.

— The specifications and appearance of this unit and each software are subject to change for improvement without notice.

© 2014 PIONEER CORPORATION. All rights reserved.

<DR11248-A>