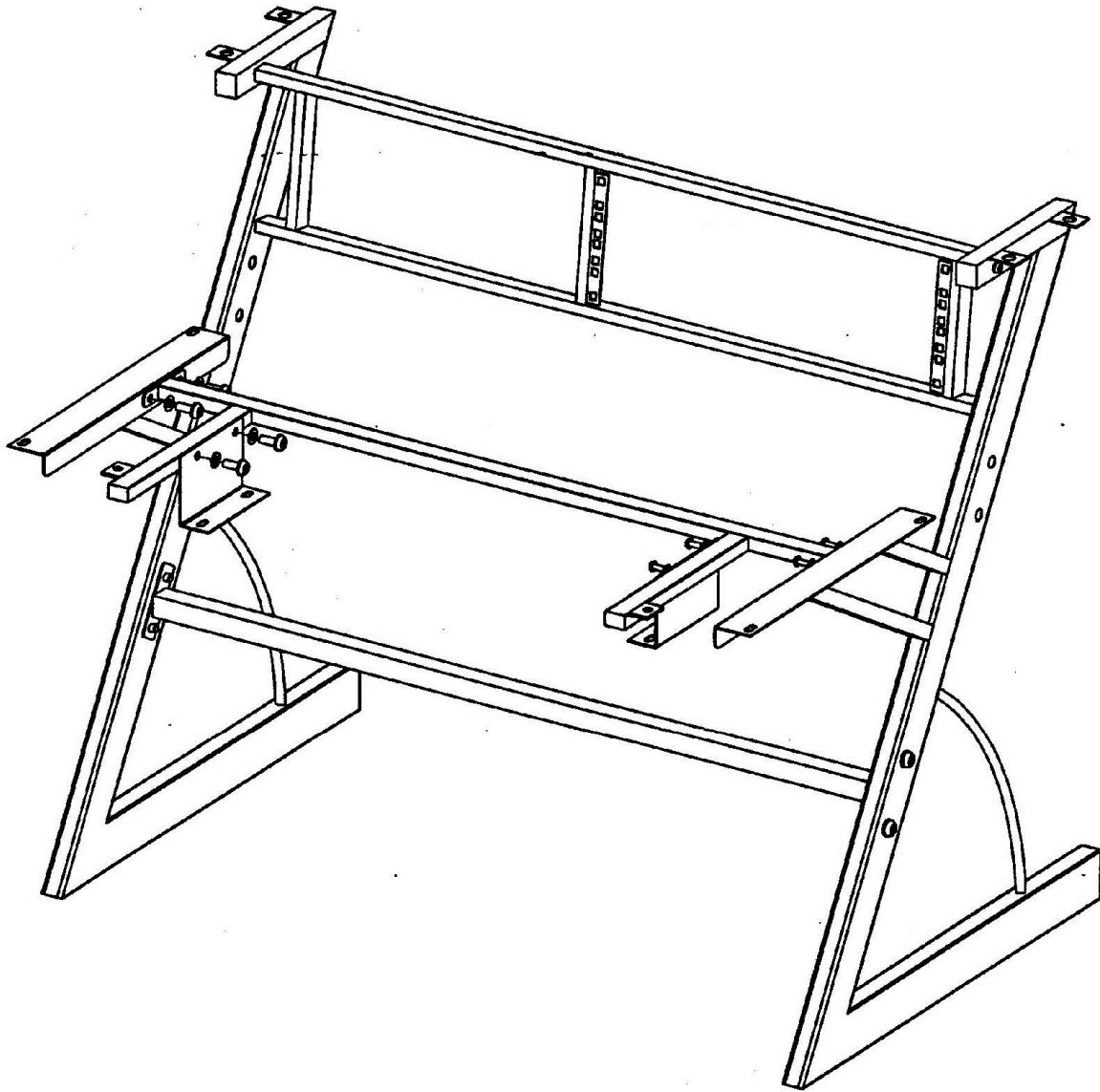
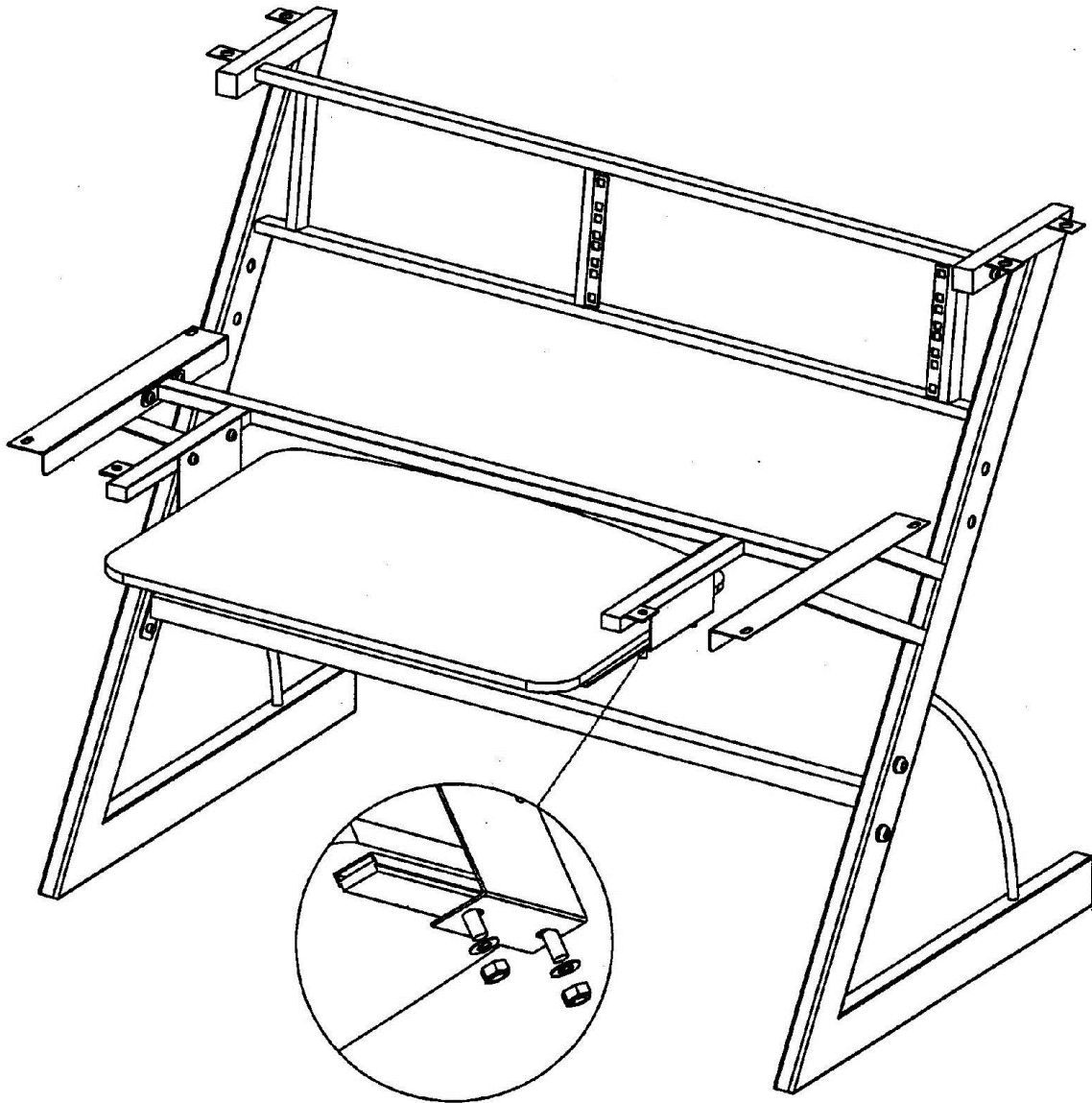


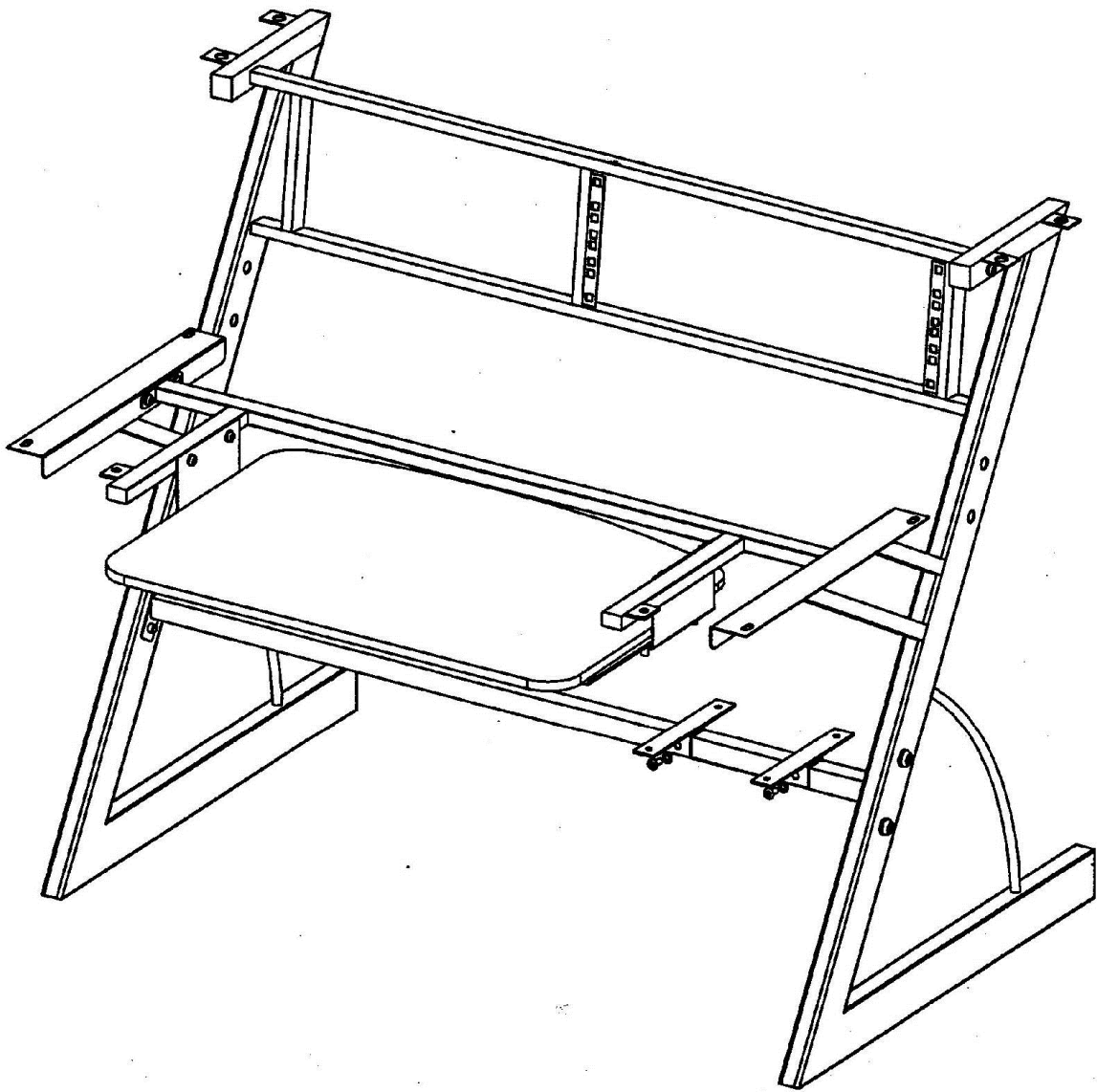
- 1. Attach two main legs together with bottom cross-support bar and upper 4U rack and tighten the bolts.**



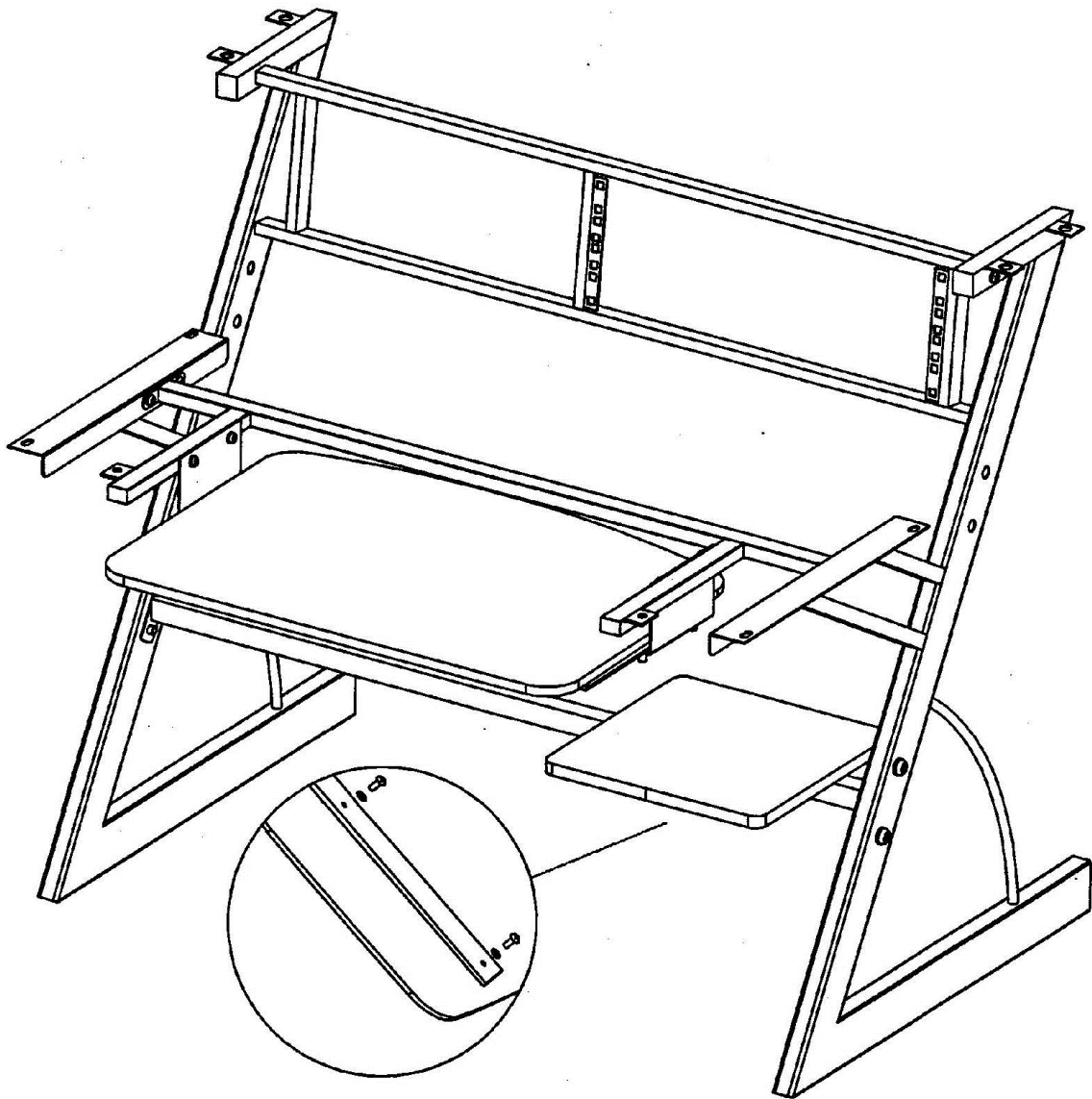
2. Attach keyboard shelf support bracket as shown and tighten bolts.



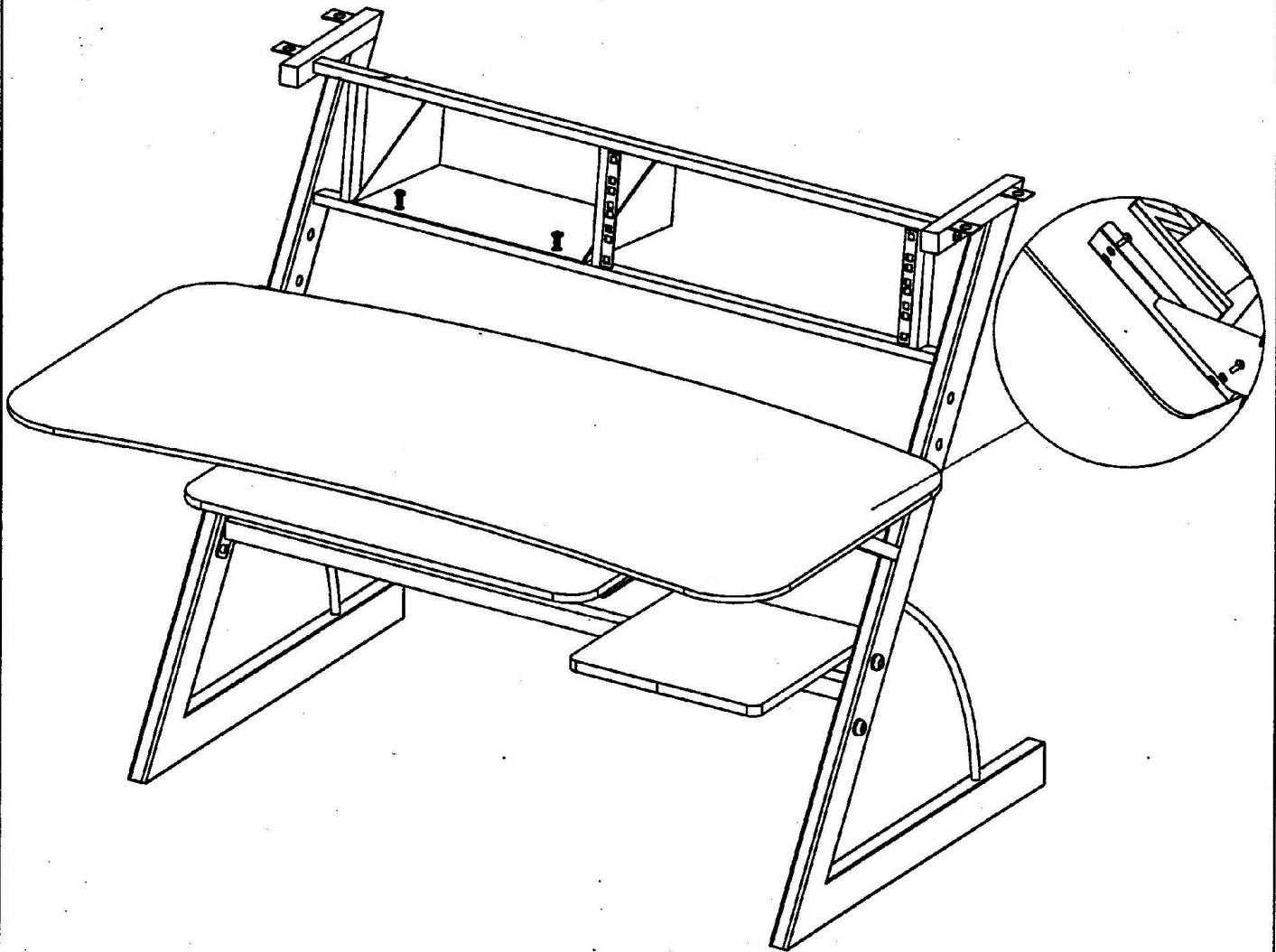
3. Place keyboard shelf in support brackets and bolt in place, tightening nuts until desired shelf pull-out tension is achieved.



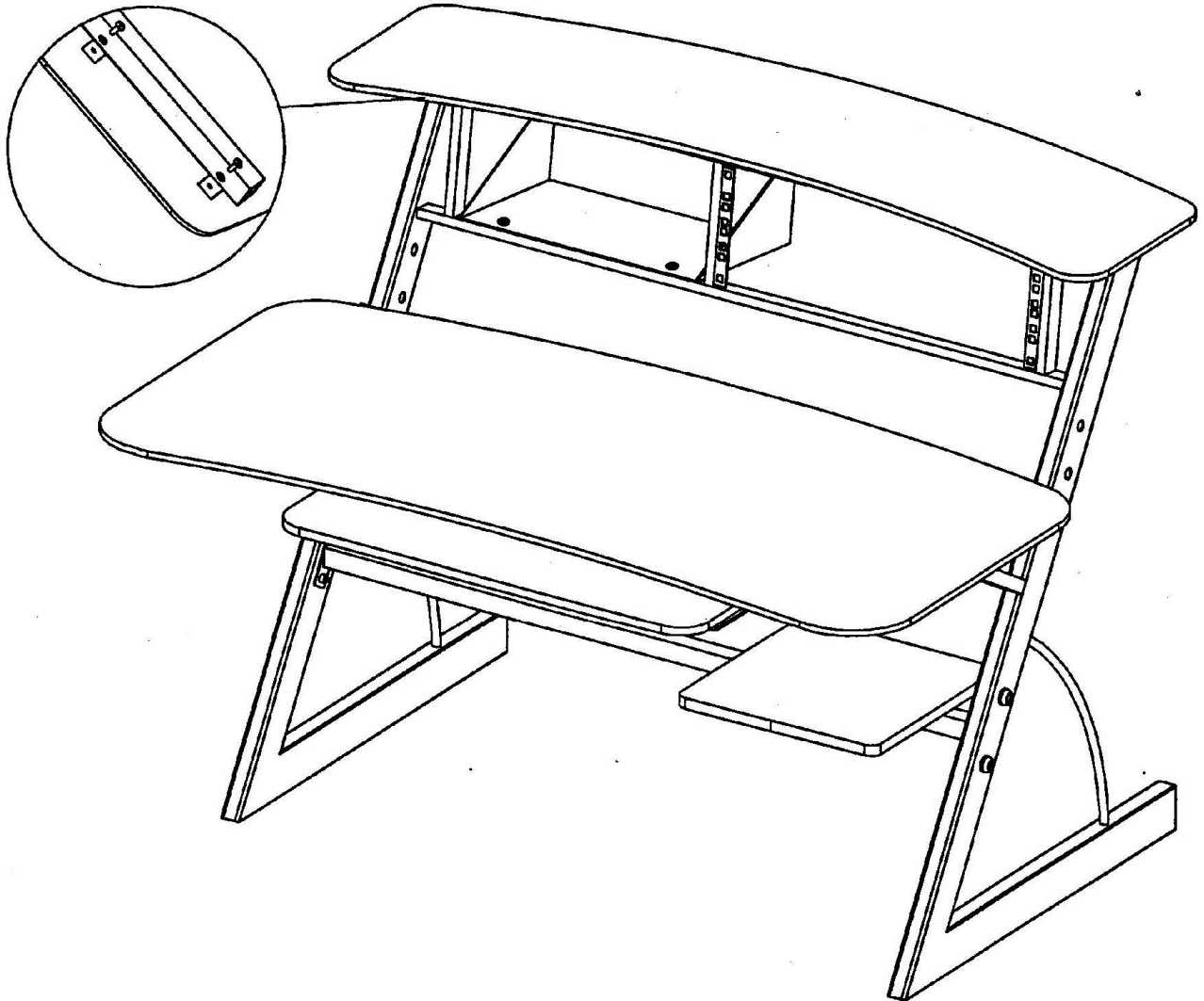
4. Attach small shelf brackets on lower cross brace.



5. Attach lower shelf onto mounts.



6. Center shelves on support brackets and at desired depth and mount in place with provided wood screws. Attach the steel rack shelf as shown and tighten bolts.



7. Center shelves on support brackets and at desired depth and mount in place with provided wood screws.